

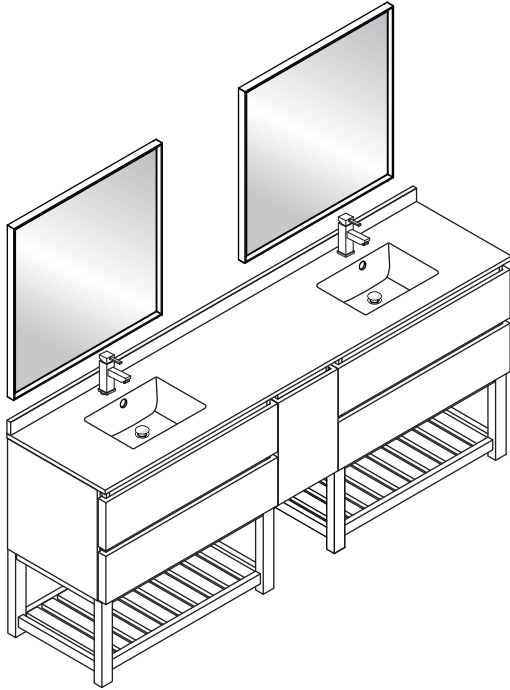
# FVN31-361236ACA-FS

## FORMOSA

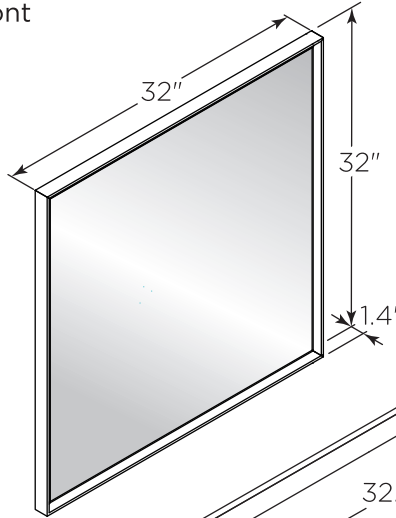
### INSTALLATION GUIDE



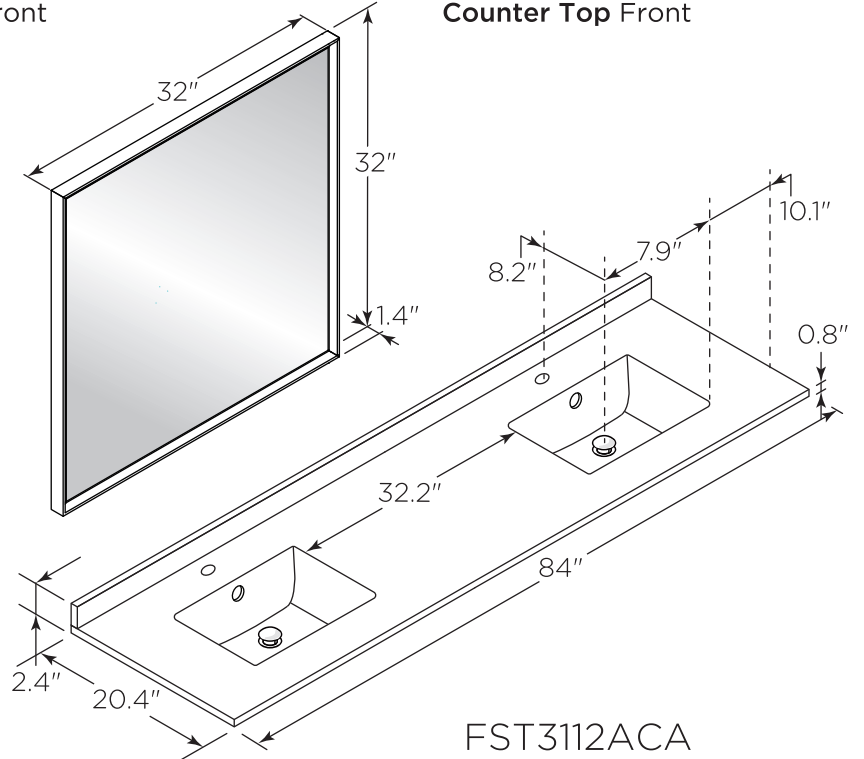
FVN31-361236ACA-FS  
Vanity Front



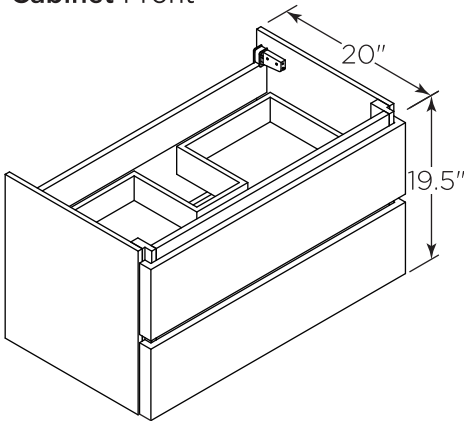
FMR3132ACA (X2)  
Mirror Front



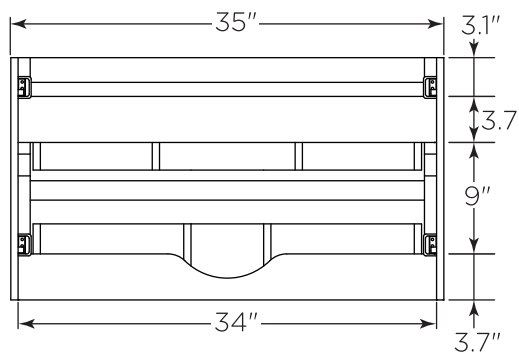
FCT2084WH-D-CMB  
Counter Top Front



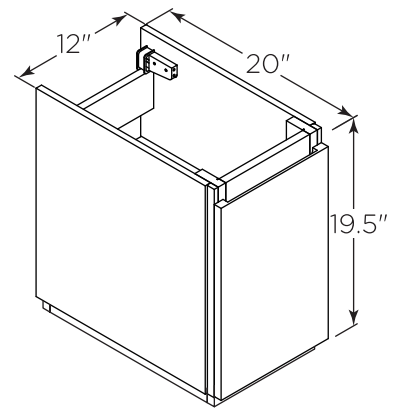
FCB3136ACA (X2)  
Cabinet Front



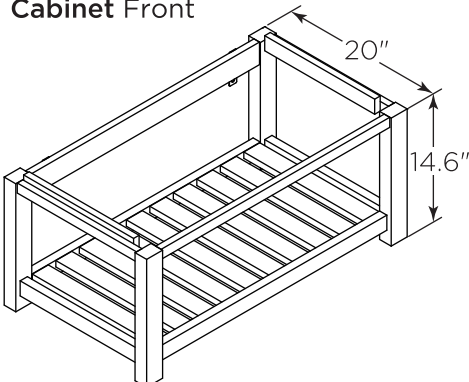
FCB3136ACA  
Cabinet Back



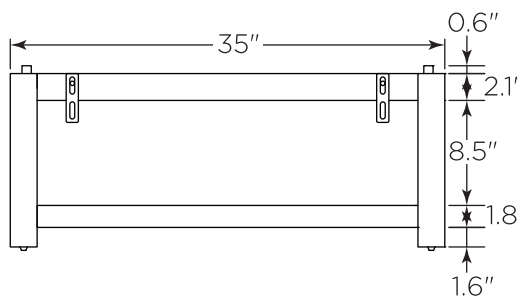
FST3112ACA  
Cabinet Front



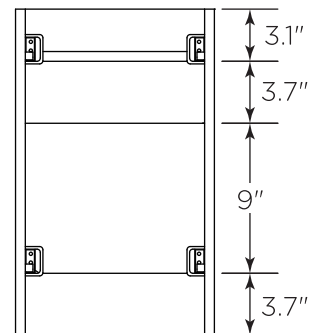
FSF3136ACA (X2)  
Cabinet Front



FSF3136ACA  
Cabinet Back



FST3112ACA  
Cabinet Back



**NOTE:** All dimensions & specifications are approximate and subject to change without notice.