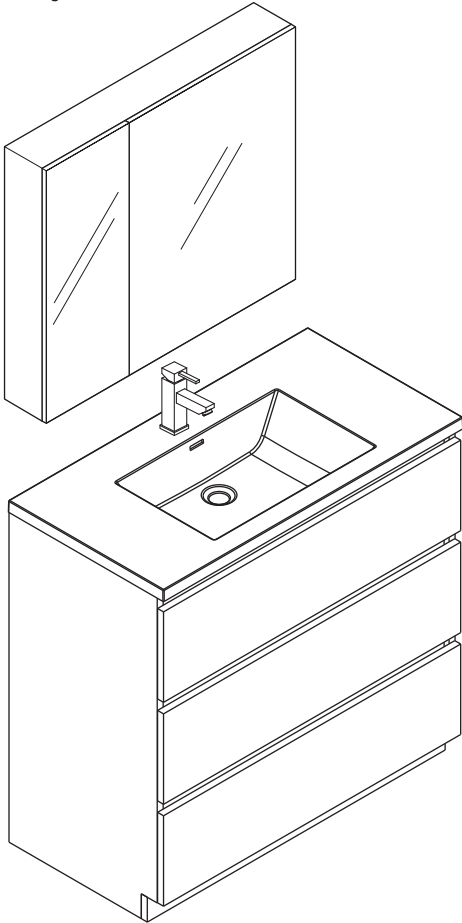


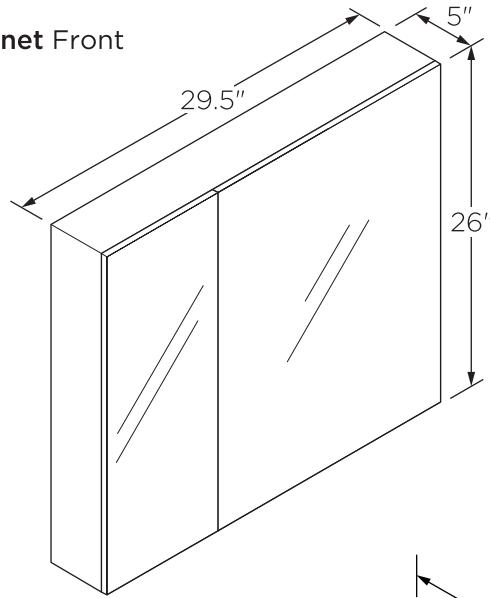
**FVN9336**  
**SENZA**  
INSTALLATION GUIDE



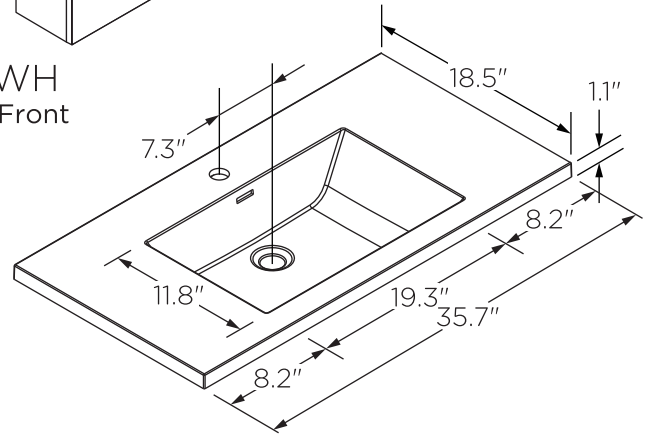
**FVN9336**  
**Vanity Front**



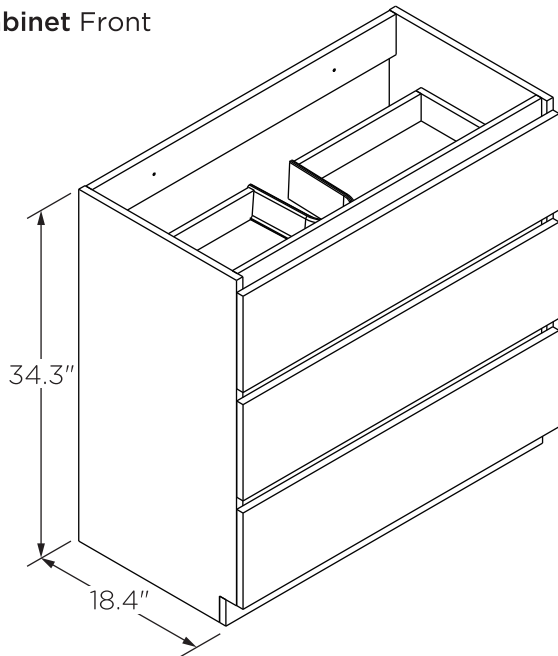
**FMC8090**  
**Medicine Cabinet Front**



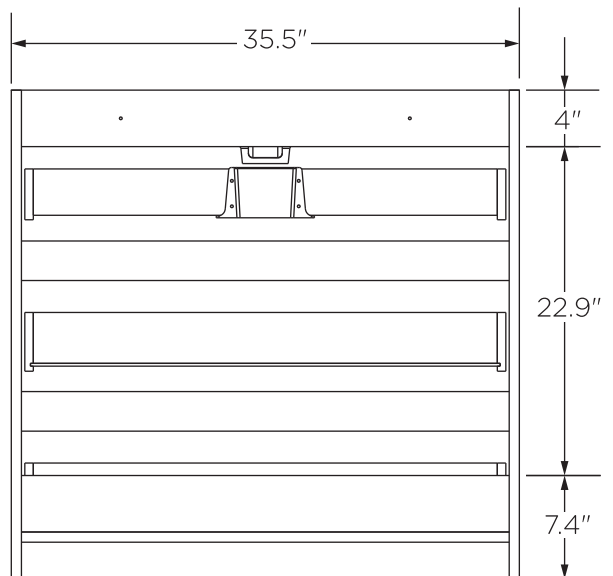
**FVS9336WH**  
**Counter Top Front**



**FCB9336**  
**Cabinet Front**



**FCB9336**  
**Cabinet Back**



**NOTE:** All dimensions & specifications are approximate and subject to change without notice.