



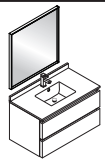
FORMOSA

INSTALLATION GUIDE

FVN3136ACA

CONTENTS:

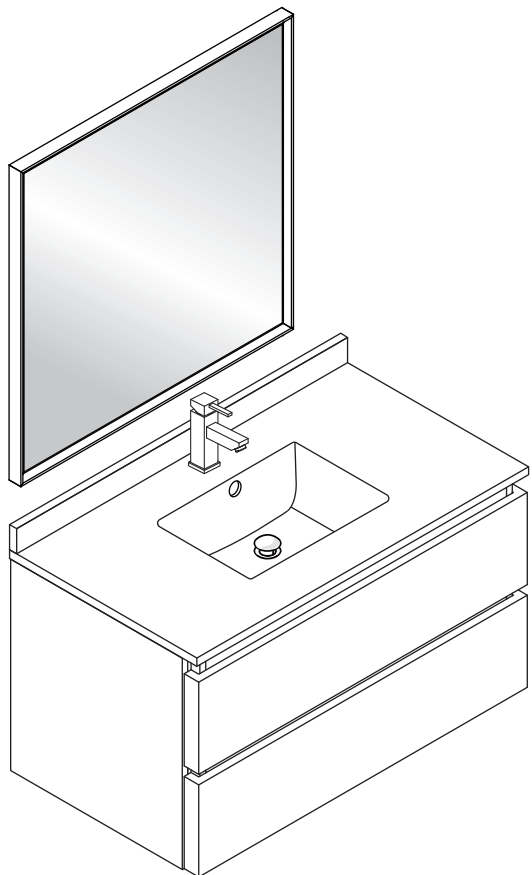
Mirror	FMR3132ACA	PAGE 2
Cabinet	FCB3136ACA	PAGE 3
Sink	FCT2036WH-CMB	PAGE 3



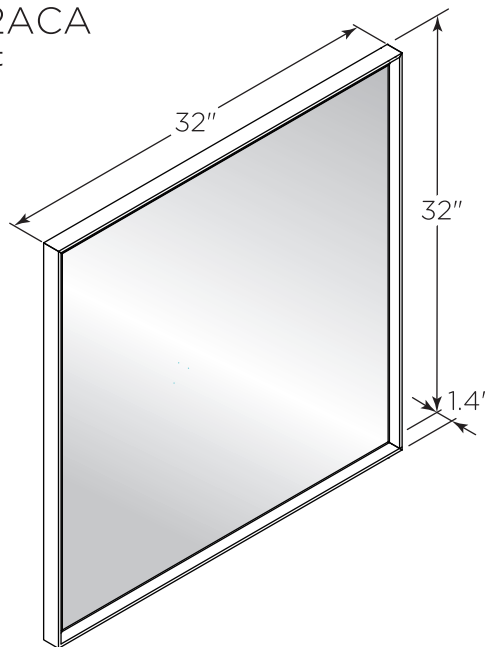
FVN3136ACA FORMOSA INSTALLATION GUIDE



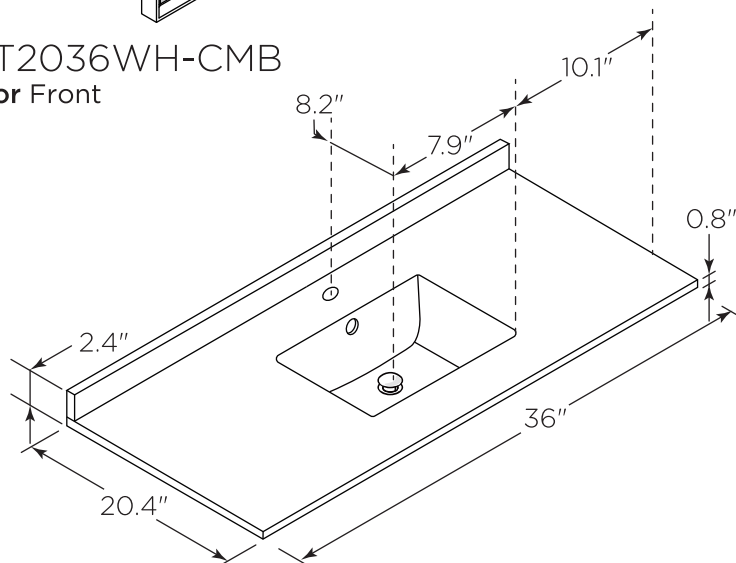
FVN3136ACA
Vanity Front



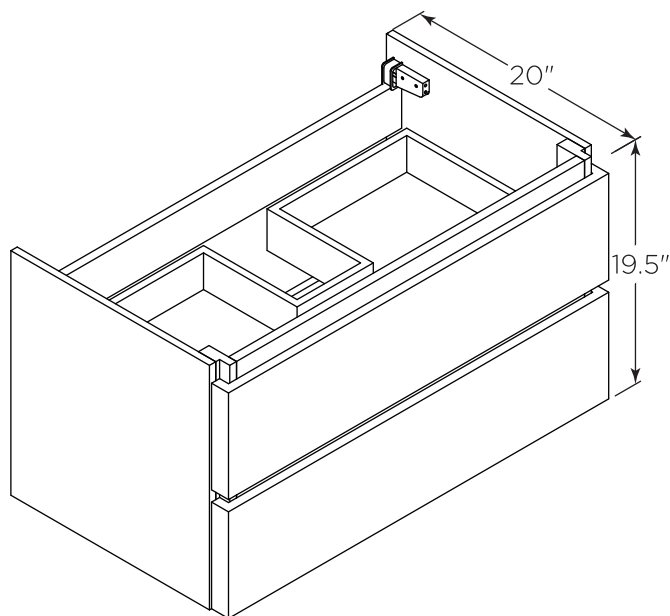
FMR3132ACA
Mirror Front



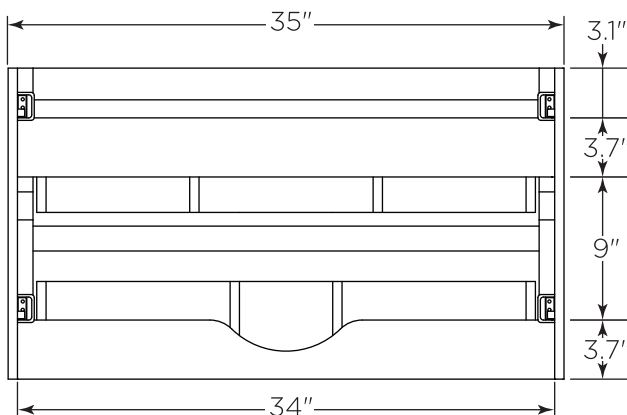
FCT2036WH-CMB
Mirror Front



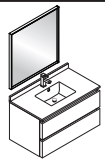
FCB3136ACA
Cabinet Front



FCB3136ACA
Cabinet Back



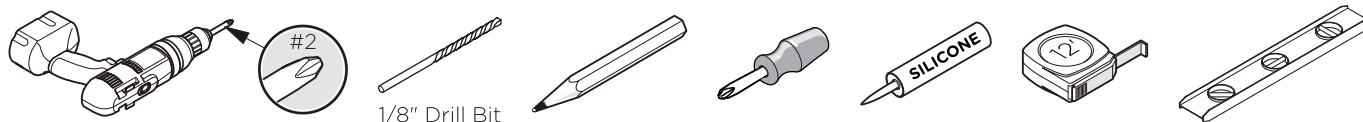
NOTE: All dimensions & specifications are approximate and subject to change without notice.



FVN3136ACA FORMOSA INSTALLATION GUIDE

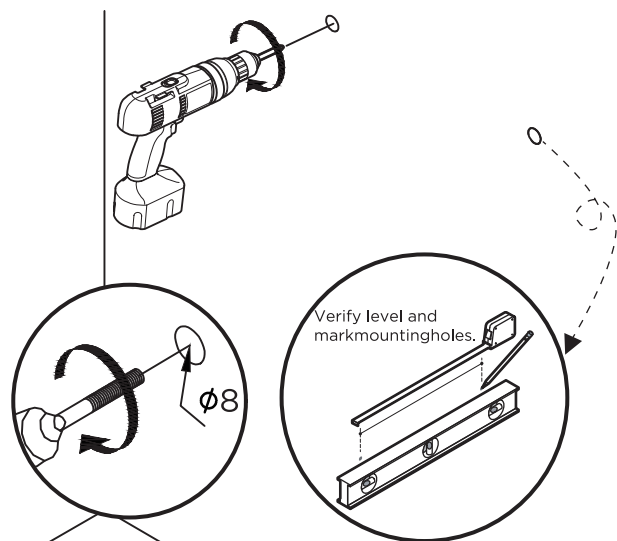


TOOLS FOR ASSEMBLY

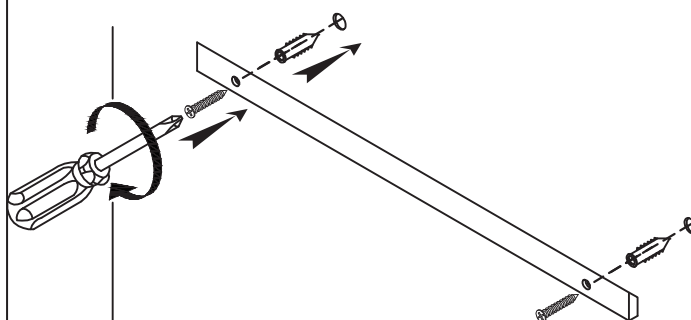


MIRROR INSTALLATION

1 Measure distance between the holes and mark it on the wall using a level.

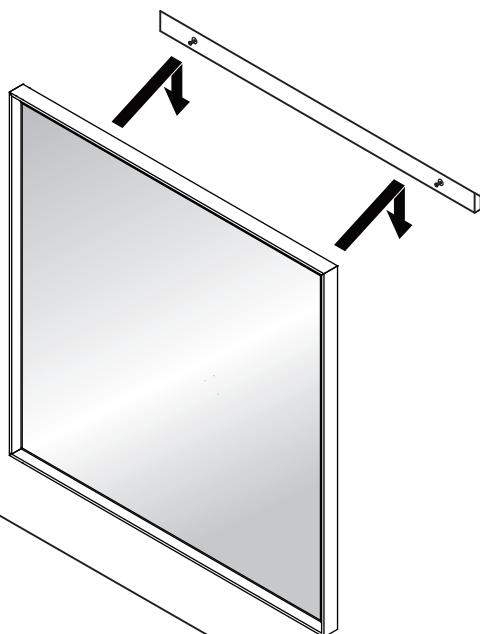


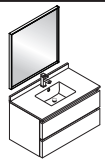
2 Press the anchors into the holes.



IMPORTANT: Consult an expert for the proper screws/bolts to use when attaching to various constructions. Screws provided do not attach to all wall construction types. Anchors are not required if brackets are installed in stud.

3 Hang mirror on the screws.

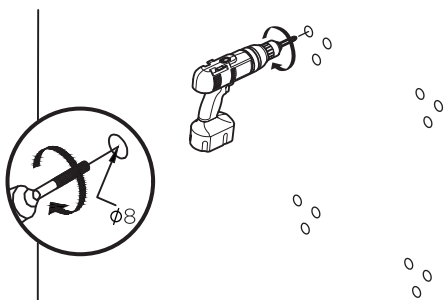




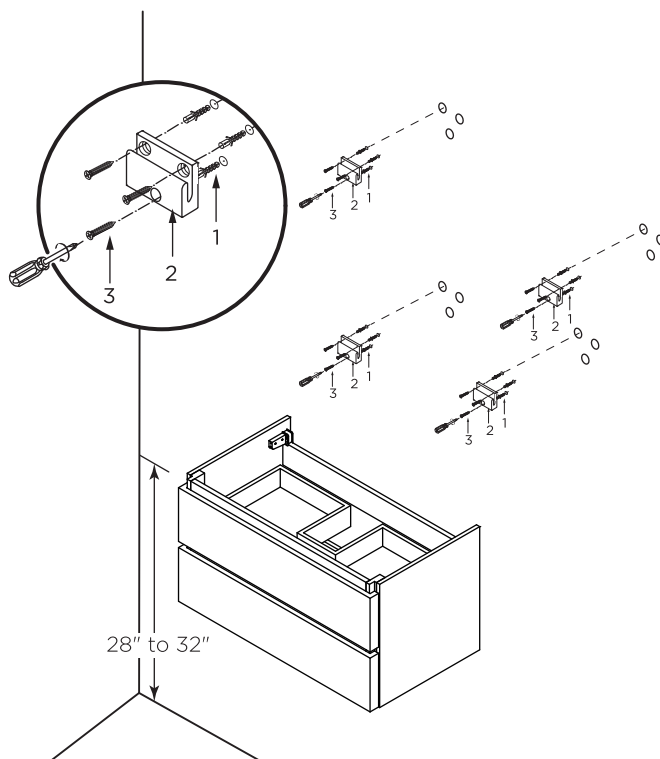
CABINET AND SINK INSTALLATION

- 1** Mark anchor mounting hole locations on wall as shown. Drill holes in the finished wall as required.

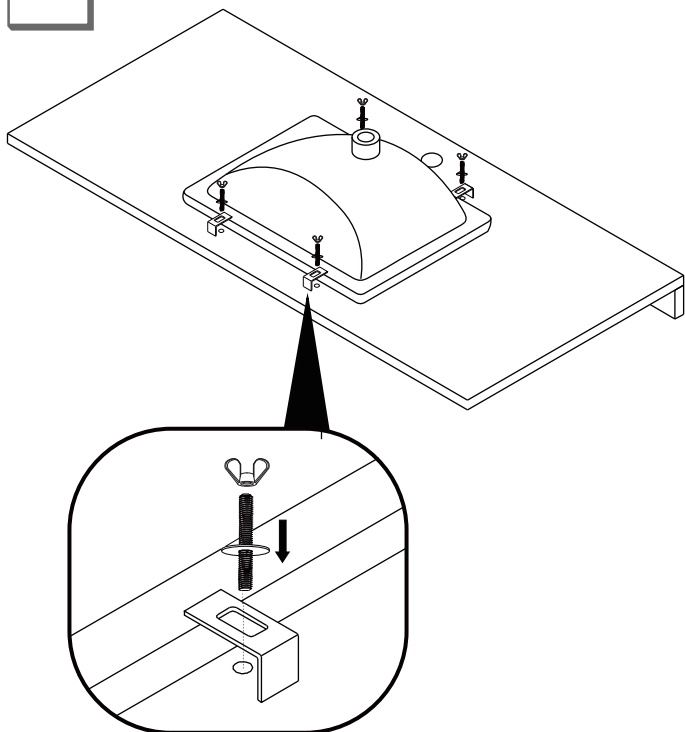
IMPORTANT: Consult an expert for the proper screws/bolts to use when attaching to various constructions, Screws provided do not attach to all wall construction types. Anchors are not required if brackets are installed in stud.



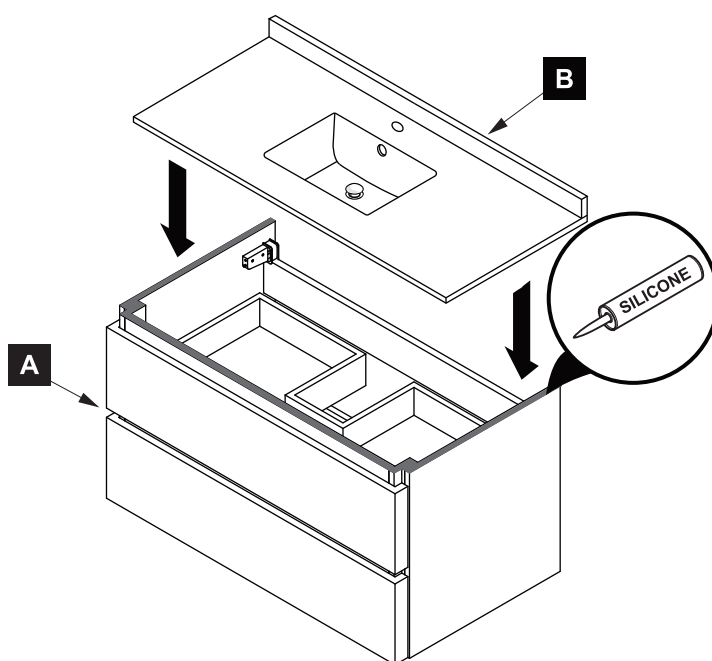
- 2** Attach cabinet to the wall with the screws. Insert the anchor(1) into the holes and secure the wall bracket(2) with the screws(3).

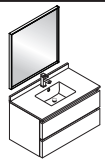


- 3** Install sink.



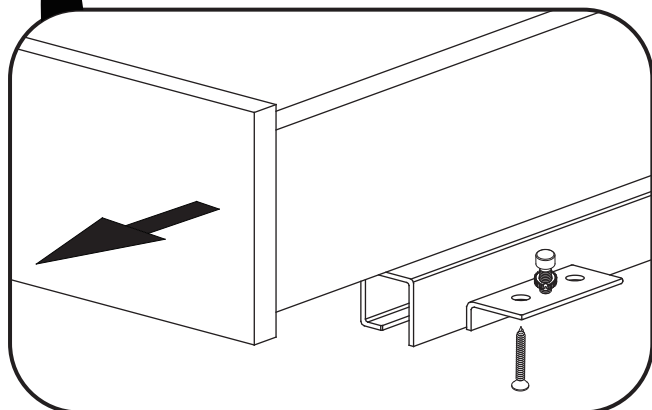
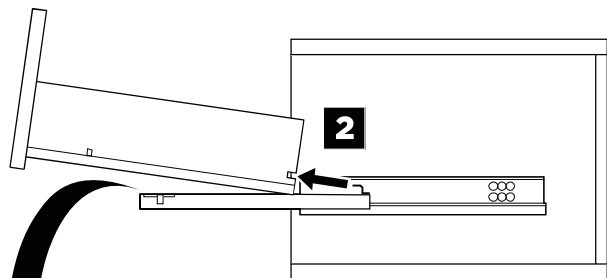
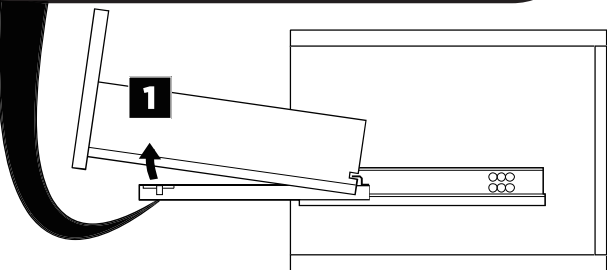
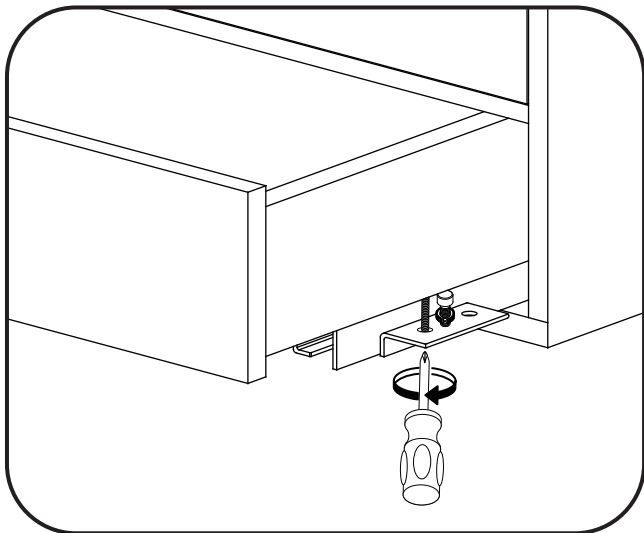
- 4** Apply a bead of silicone on the top of the cabinet (F) and place sink (E) on the cabinet.



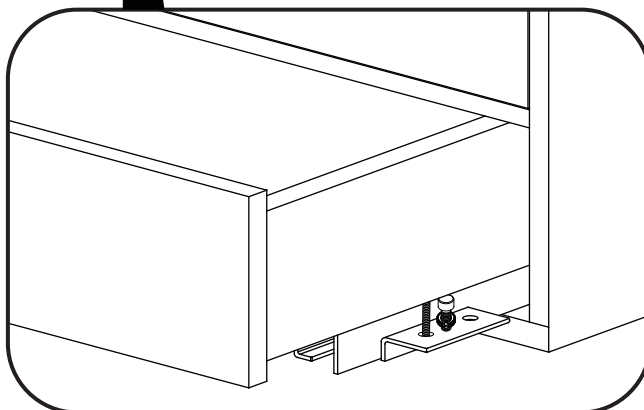
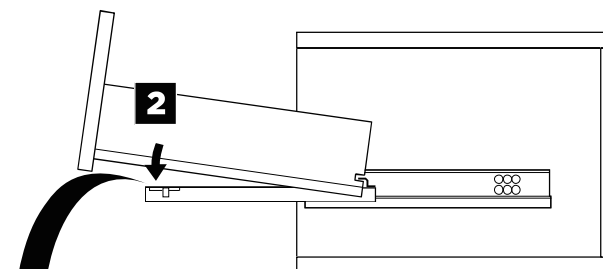
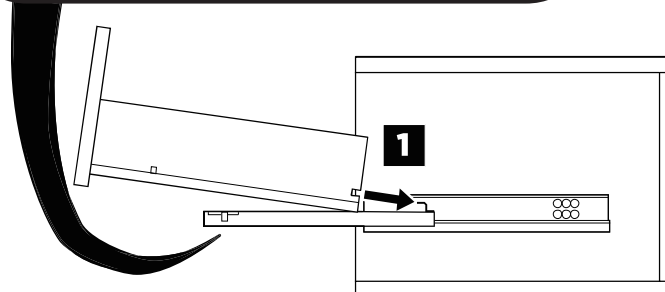
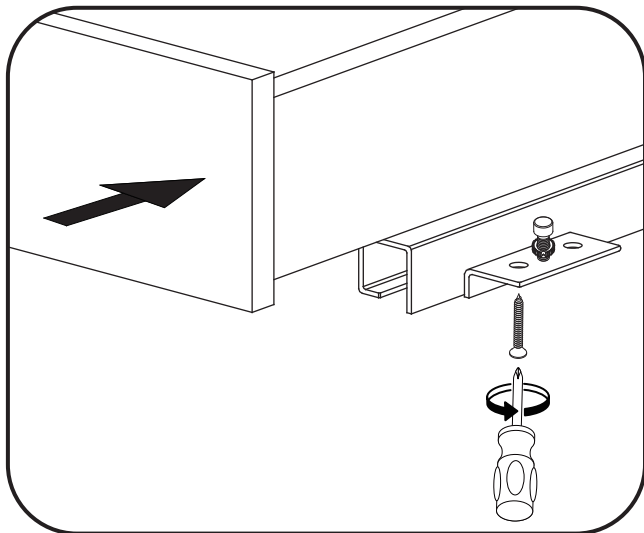


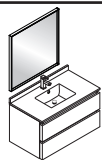
DRAWER REMOVAL & INSTALLATION

REMOVAL



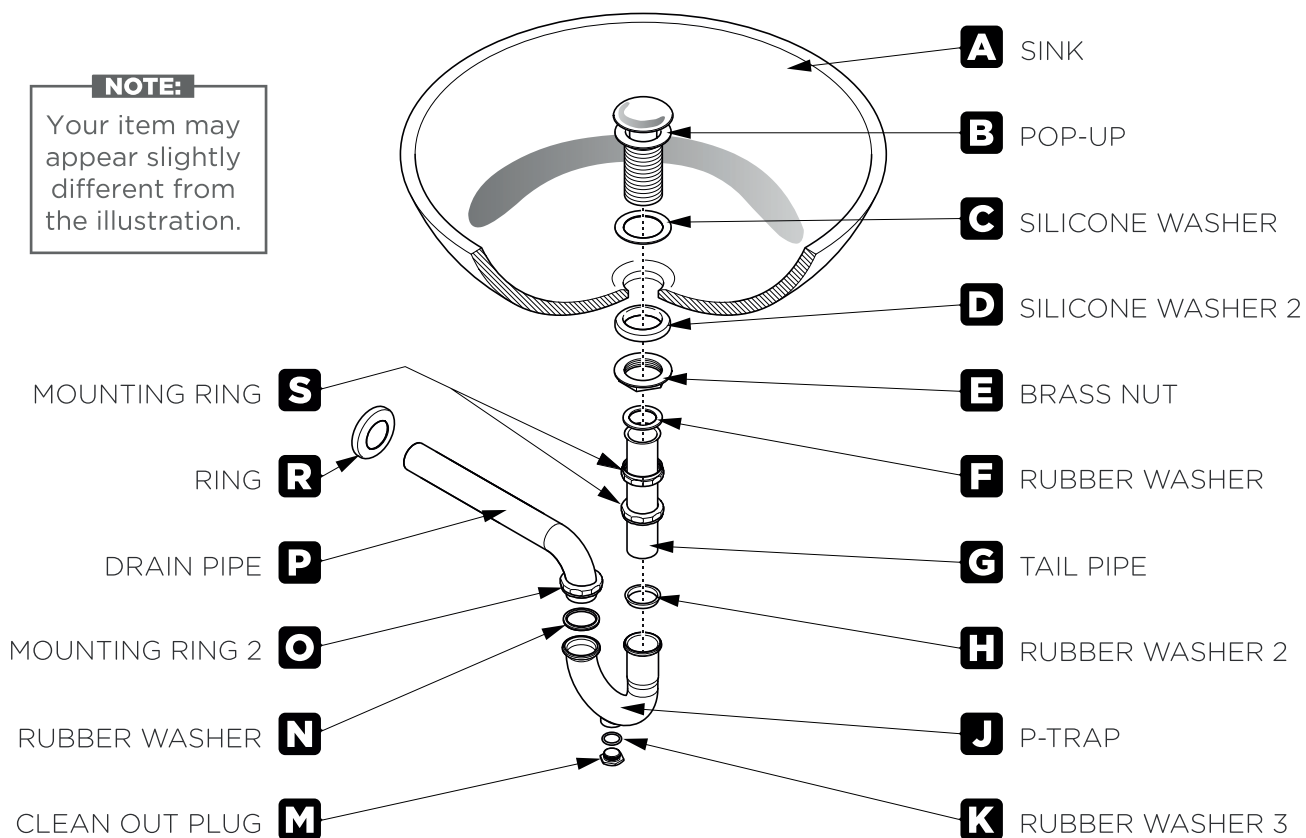
INSTALLATION





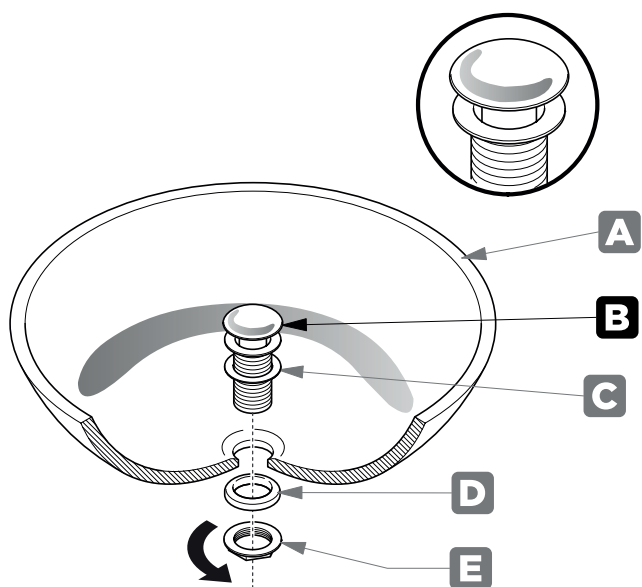
P-TRAP AND POP-UP INSTALLATION INSTRUCTIONS

NOTE:
Your item may appear slightly different from the illustration.



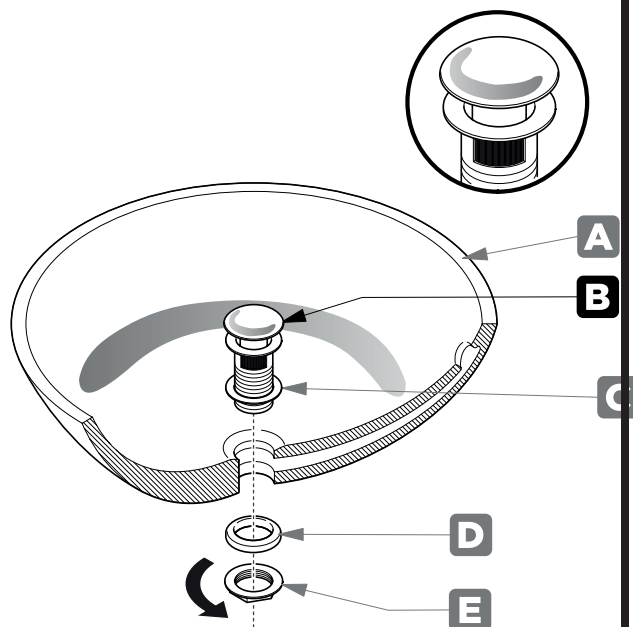
POP-UP INSTALLATION INSTRUCTIONS

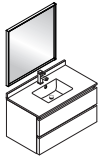
FOR SINKS WITHOUT OVERFLOW



OR

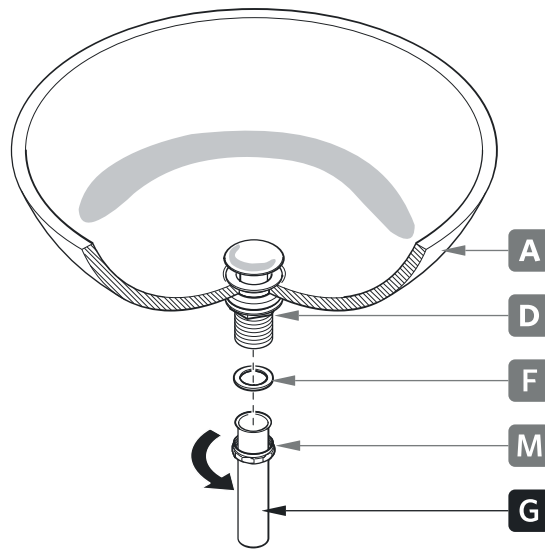
FOR SINKS WITH OVERFLOW





P-TRAP INSTALLATION

1 Install tail pipe (G)



2 Install p-trap (J)

