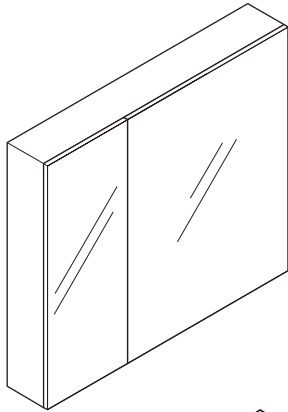
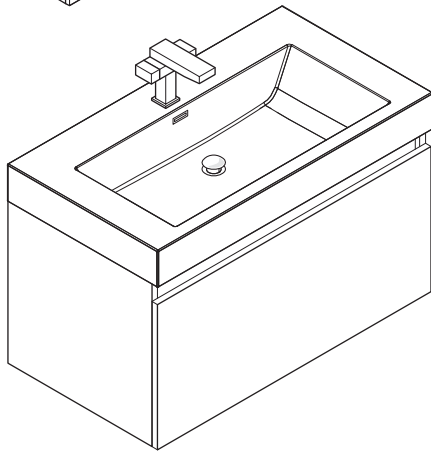
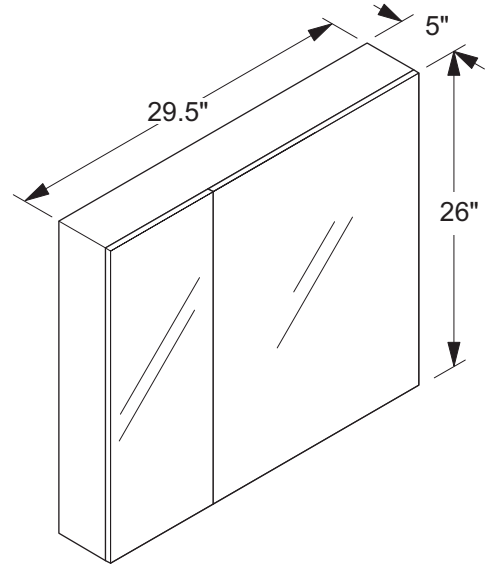


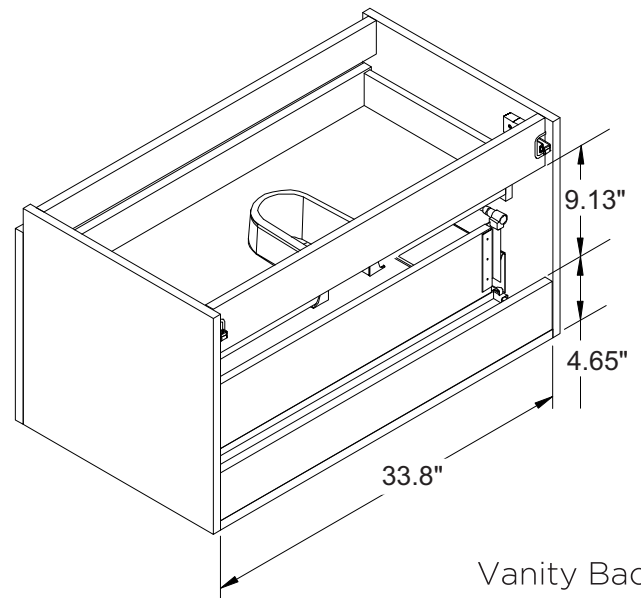
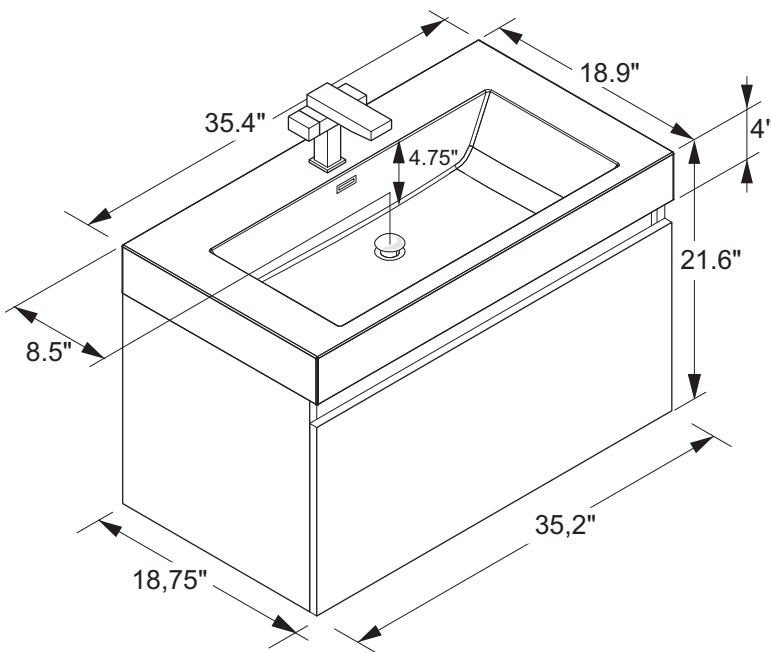
**FVN8008**  
**MEZZO**  
**INSTALLATION GUIDE**



Medicine Cabinet



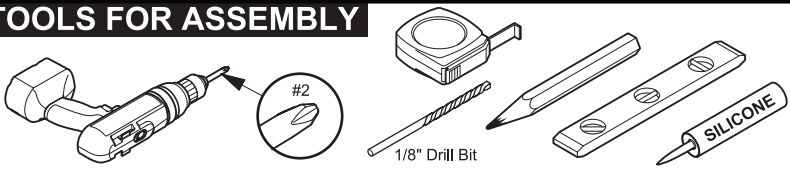
Vanity Front



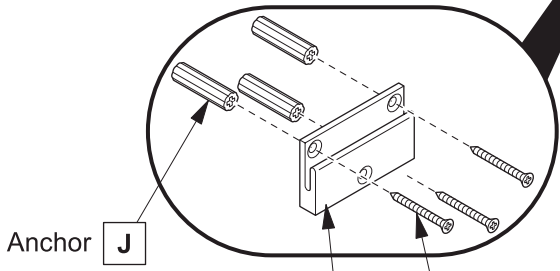
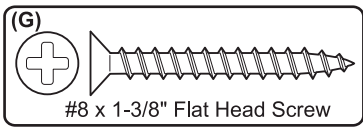
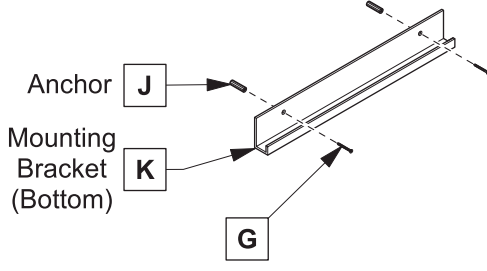
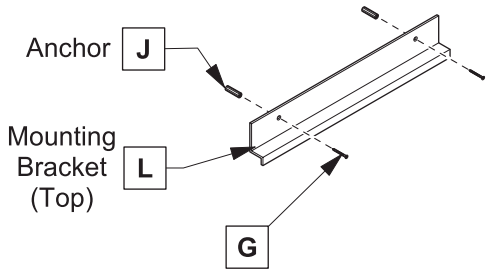
Vanity Back

 ALL DIMENSIONS & SPECIFICATIONS ARE APPROXIMATE AND SUBJECT TO CHANGE WITHOUT NOTICE.

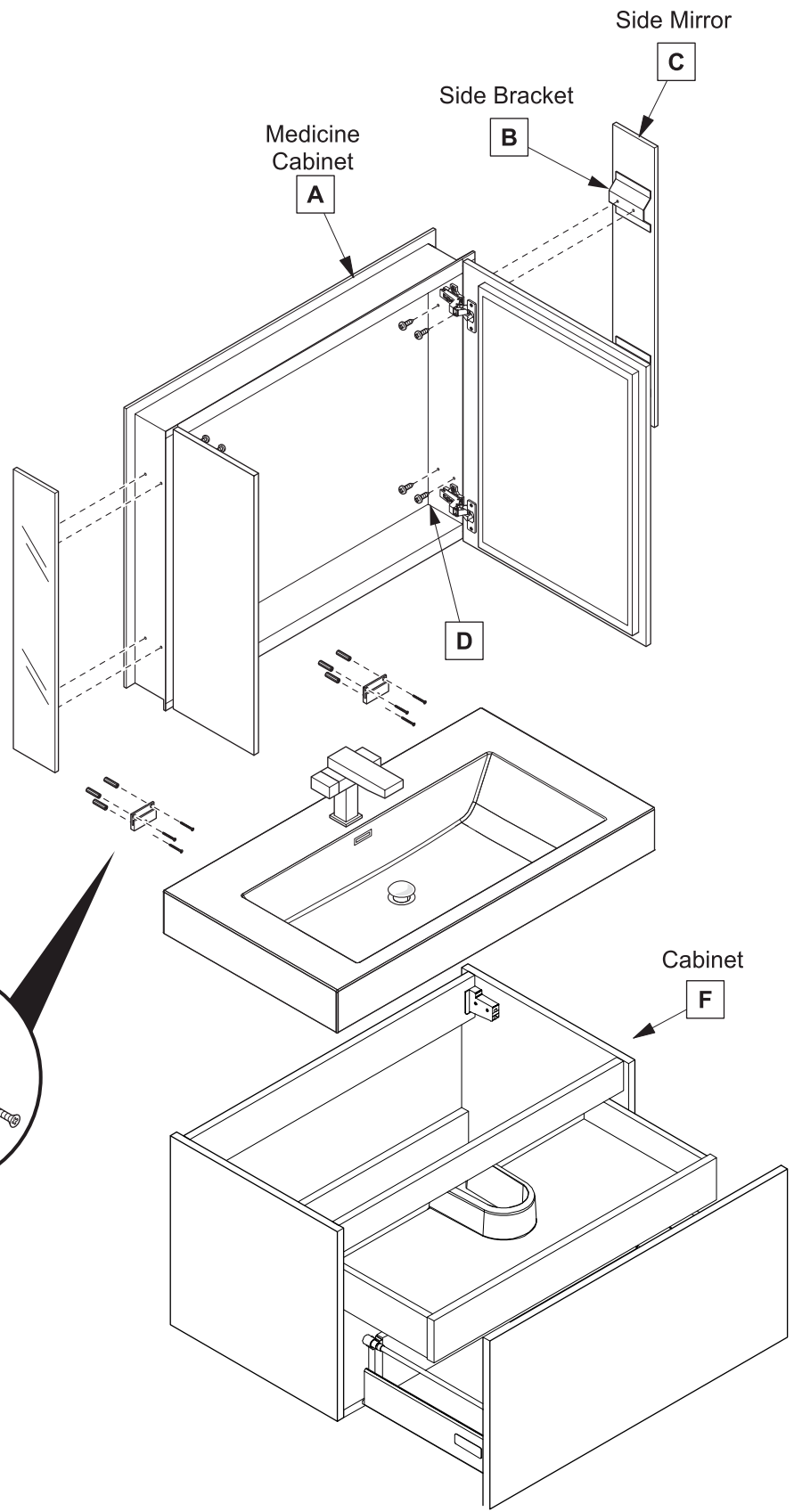
**TOOLS FOR ASSEMBLY**



**PARTS**



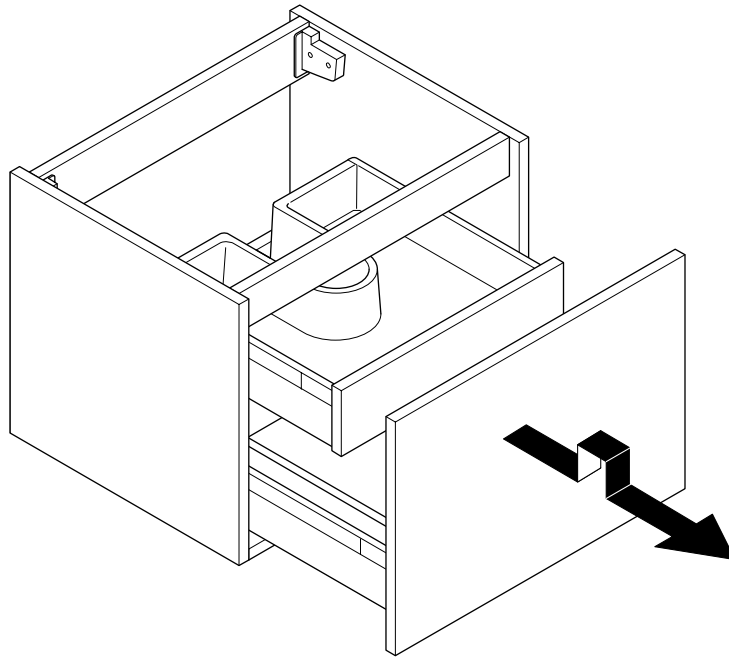
**NOTE:** Only use anchors (**J**) if stud is not available.



**1****DRAWER REMOVAL & INSTALLATION**

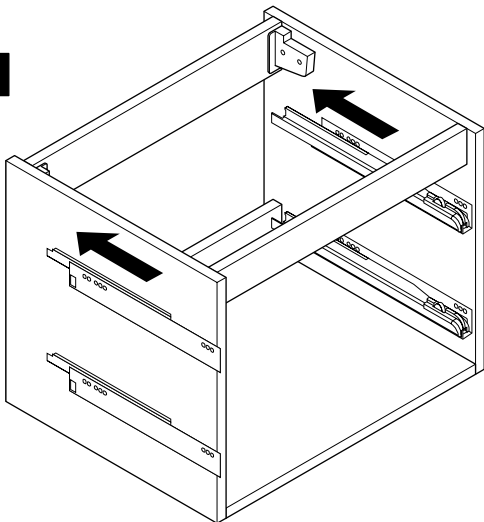
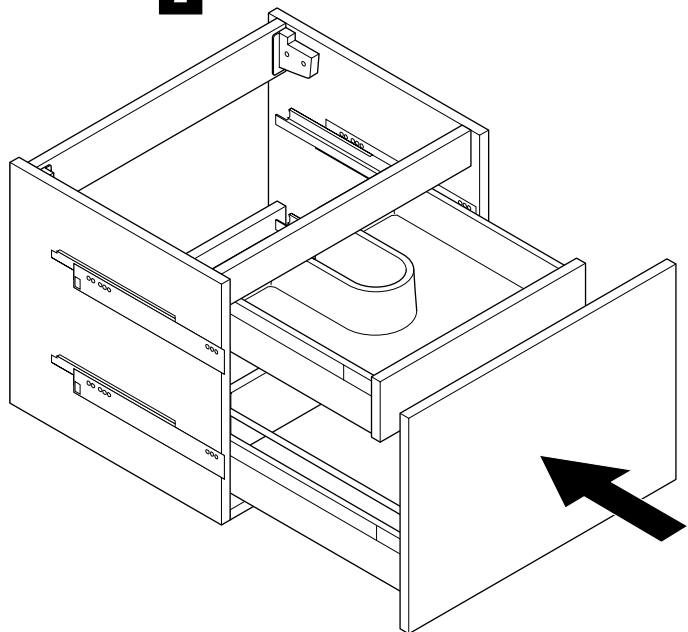
To remove drawer:

1. Pull the drawer open until the guides are fully extended.
2. Tilt drawer up and simultaneously pull the drawer out.

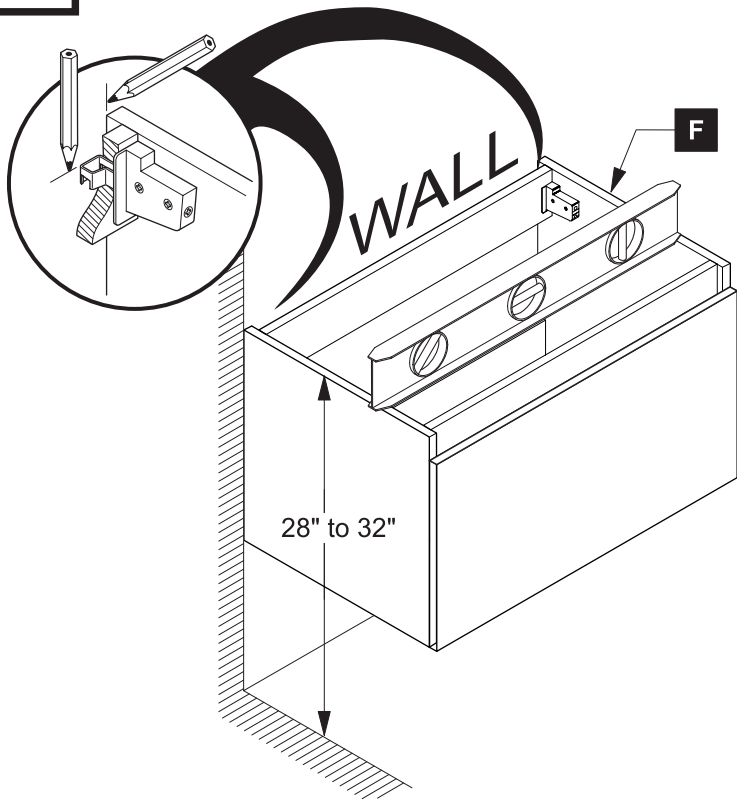
**2**

To instal drawer:

1. Line up drawer bottom with the glides on the right and left side.
2. Place the drawer on the glides and gently push into closed position.

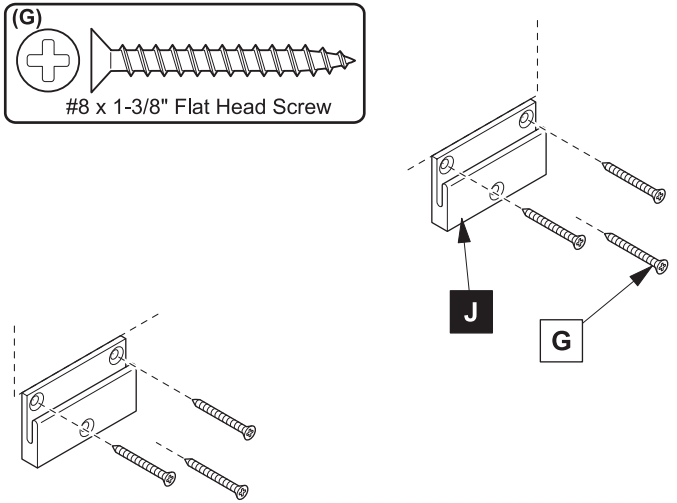
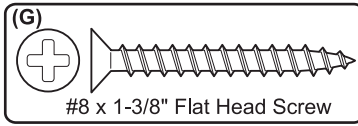
**1****2**

**1** Locate cabinet (F) & mark location on the wall

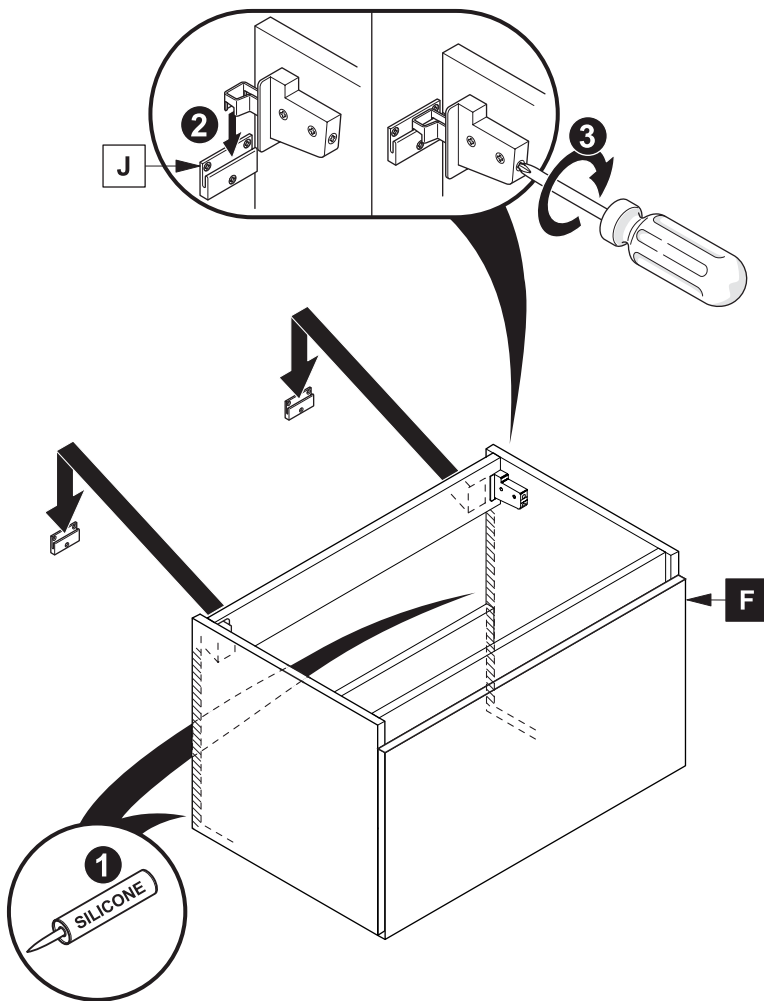


**2** Install wall brackets (J)

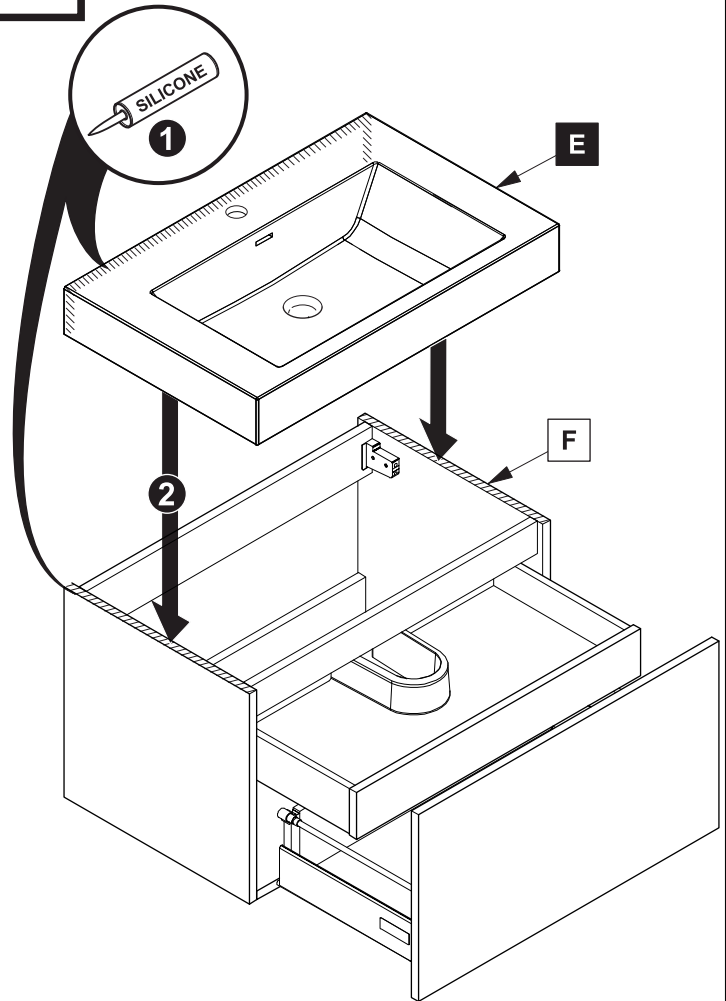
**IMPORTANT:** Consult an expert for the proper screws / bolts to use when attaching to various wall constructions. Screws provided *do not* attach to all wall construction types.



**3**

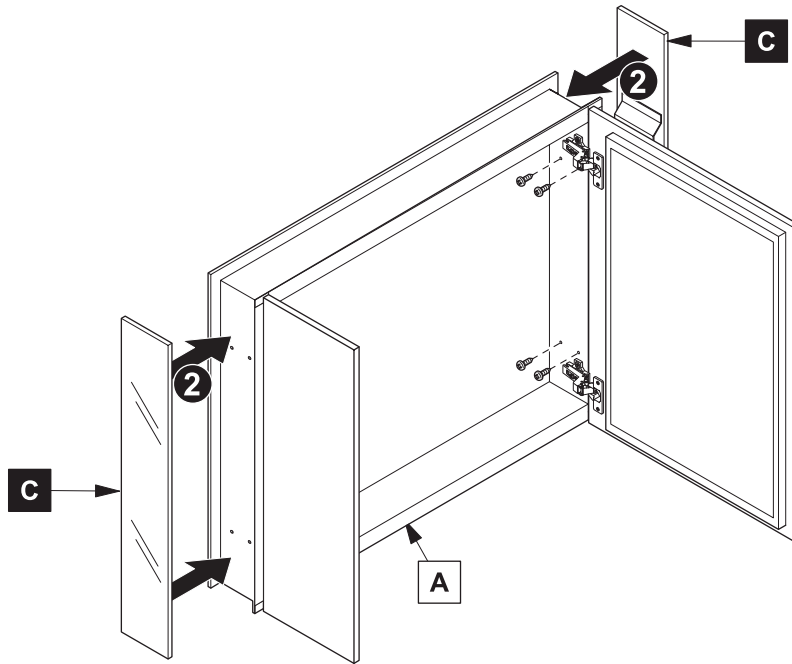


**4** Apply silicone and install sink (E)

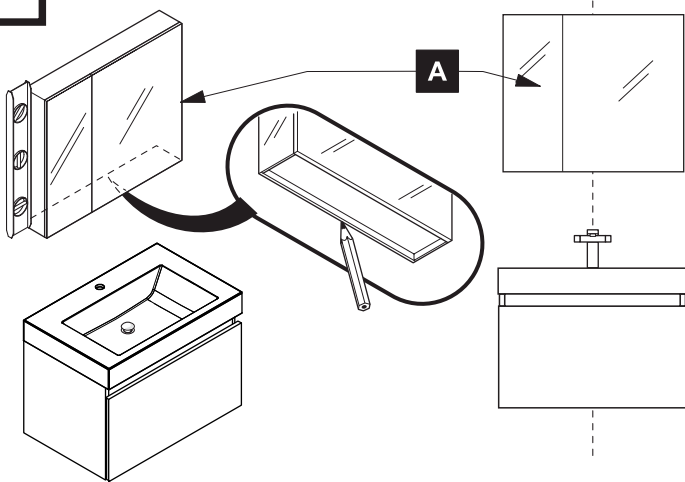


# MEDICINE CABINET INSTALLATION

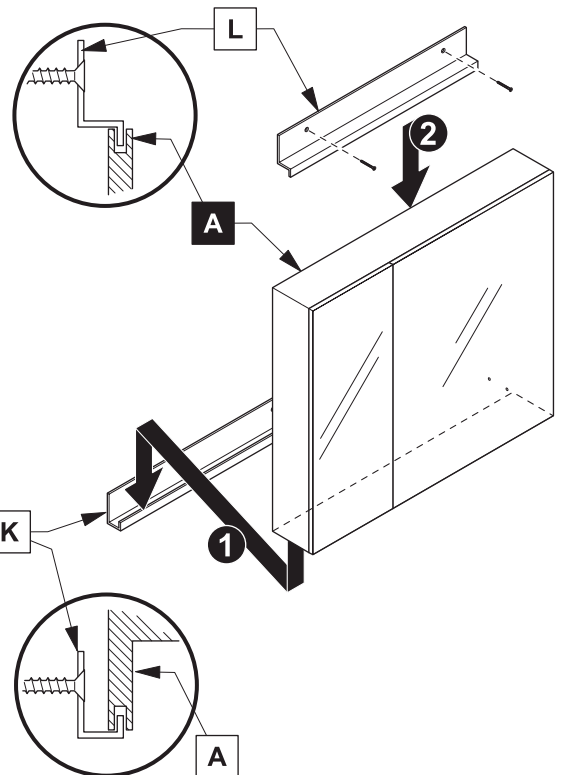
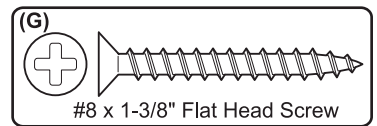
## 1 Install side mirrors (C)



## 2 Mark cabinet (A) location

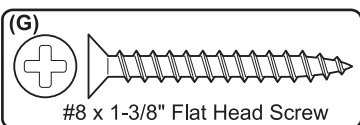
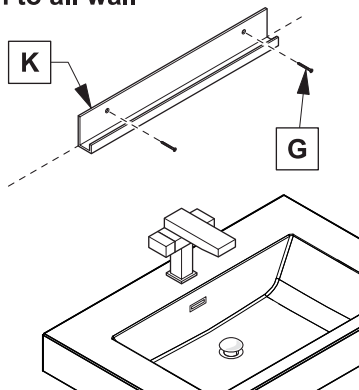


## 4 Install cabinet (A) and top bracket (L)



## 3 Install bottom bracket (K)

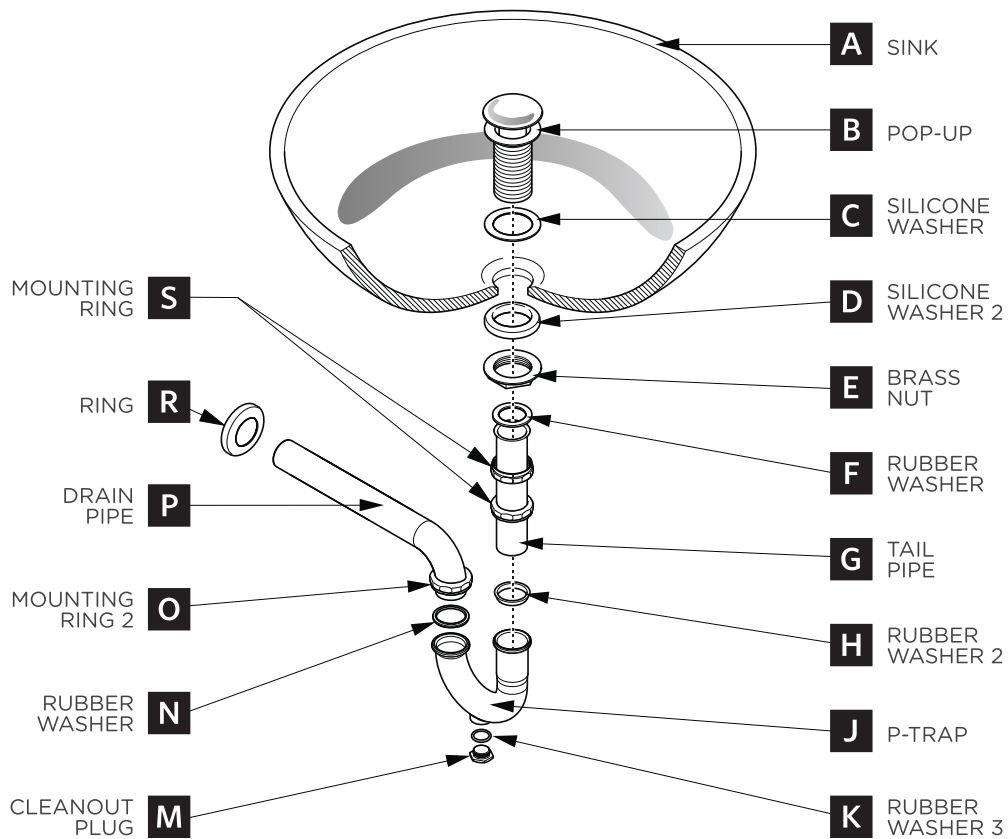
**IMPORTANT:** Consult an expert for the proper screws/bolts to use when attaching to various wall constructions. Screws provided do not attach to all wall construction types.



# P-TRAP & POP-UP

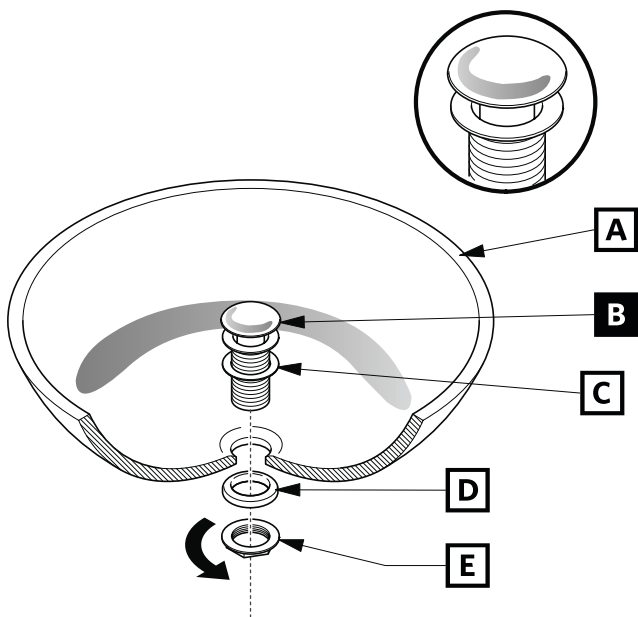
## INSTALLATION INSTRUCTIONS

Your item may appear slightly different from the illustration.



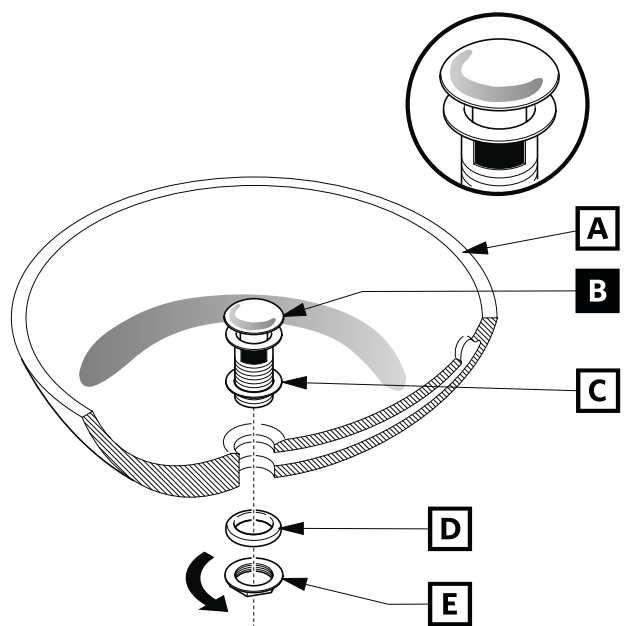
### POP-UP INSTALLATION

#### FOR SINKS WITHOUT OVERFLOW



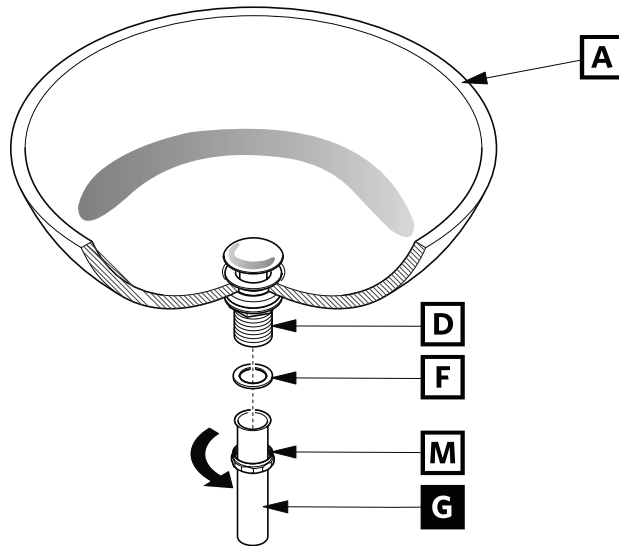
OR

#### FOR SINKS WITH OVERFLOW



# P-TRAP INSTALLATION

**1** Install tail pipe (G)



**2** Install P-trap (J)

