



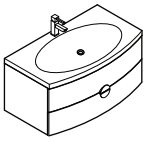
# FVN5092

# ENERGIA

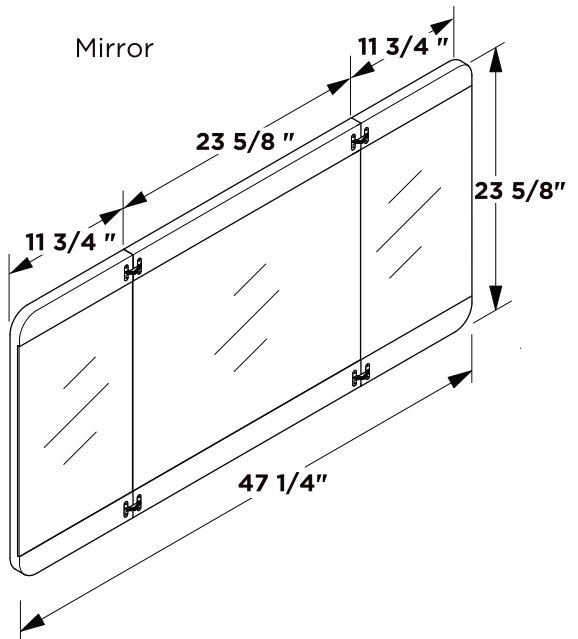
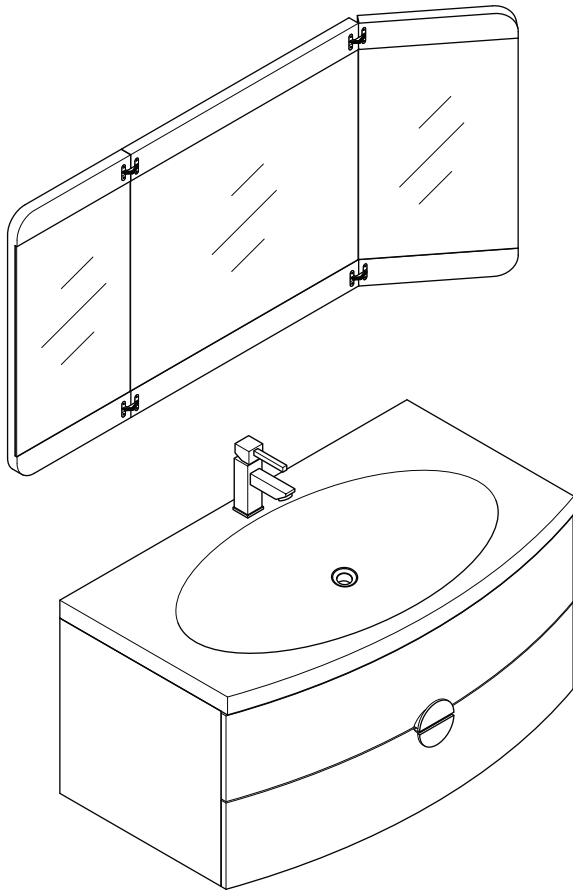
## INSTALLATION GUIDE

### CONTENTS:

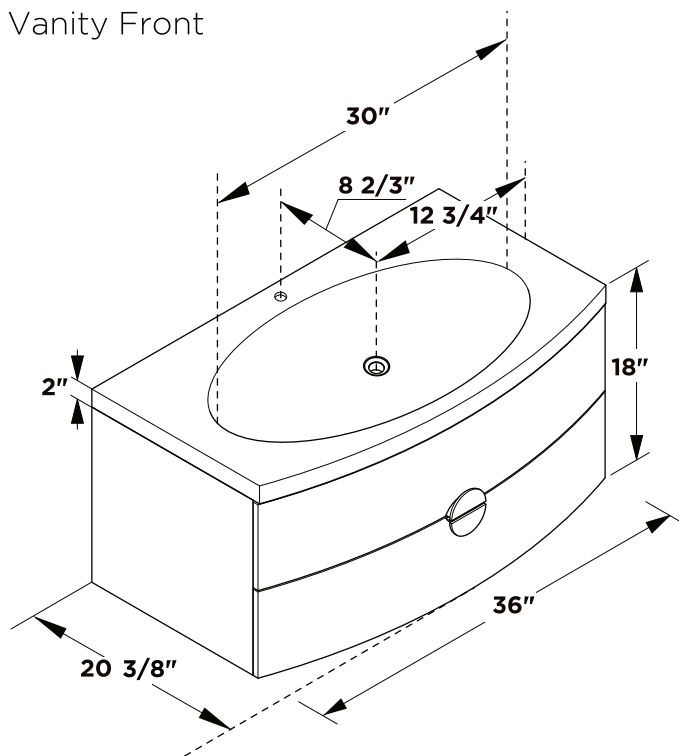
Cabinet.....	(FCB5092).....	PAGE 4
Sink.....	(FVS5092).....	PAGE 5
Mirror.....	(FMR5092).....	PAGE 2



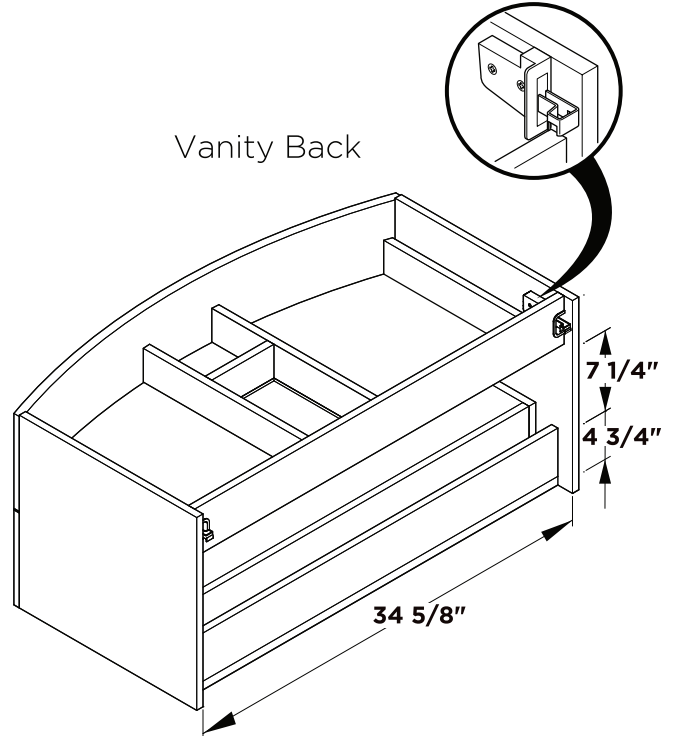
# FVN5092 ENERGIA INSTALLATION GUIDE



Vanity Front

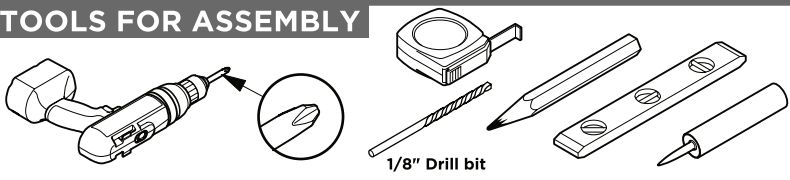


Vanity Back

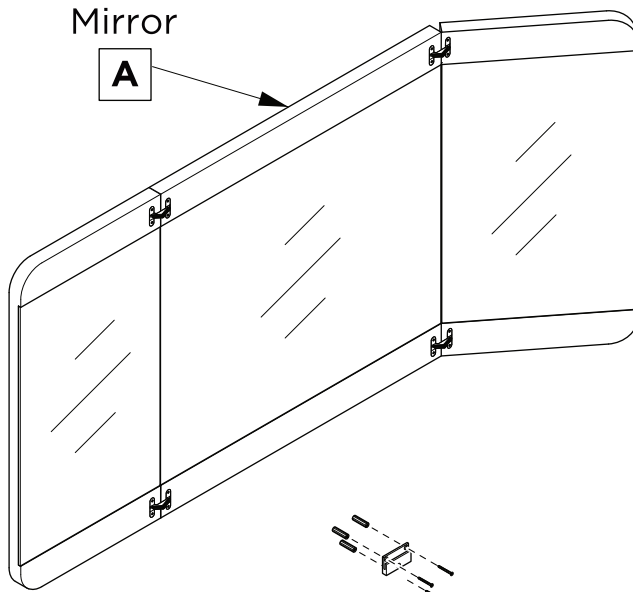
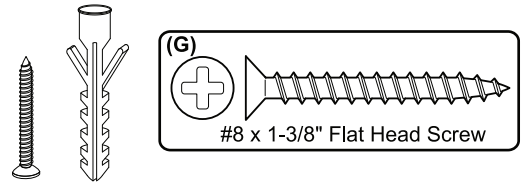


**NOTE:** ALL DIMENSIONS & SPECIFICATIONS ARE APPROXIMATE AND SUBJECT TO CHANGE WITHOUT NOTICE.

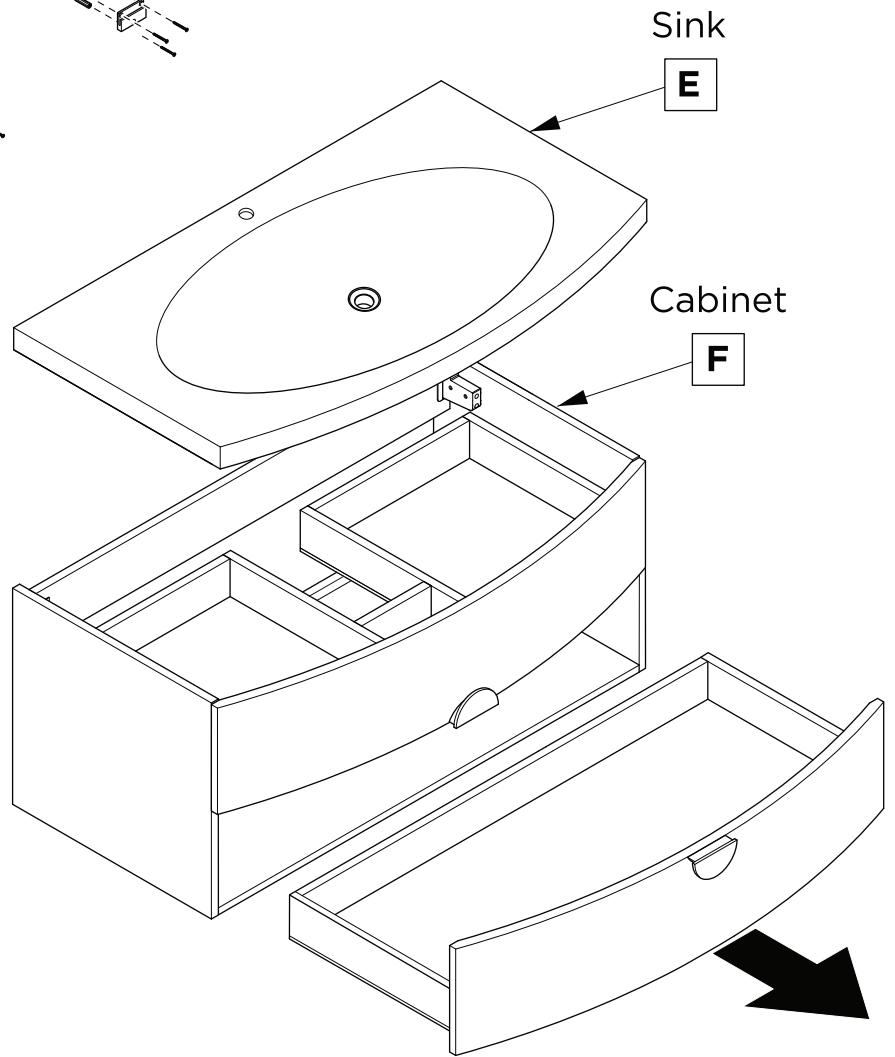
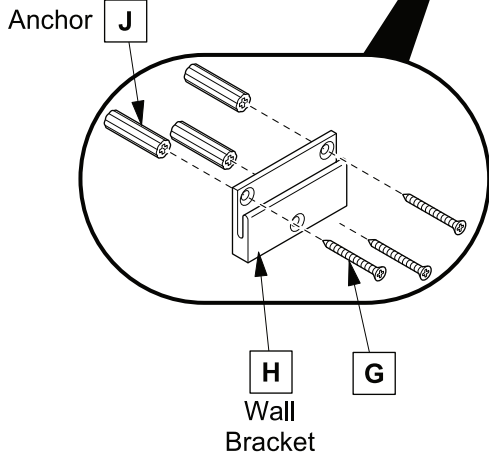
**TOOLS FOR ASSEMBLY**



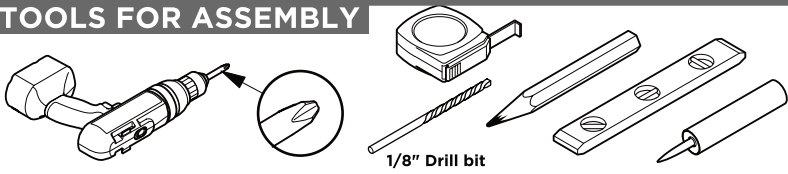
**PARTS**



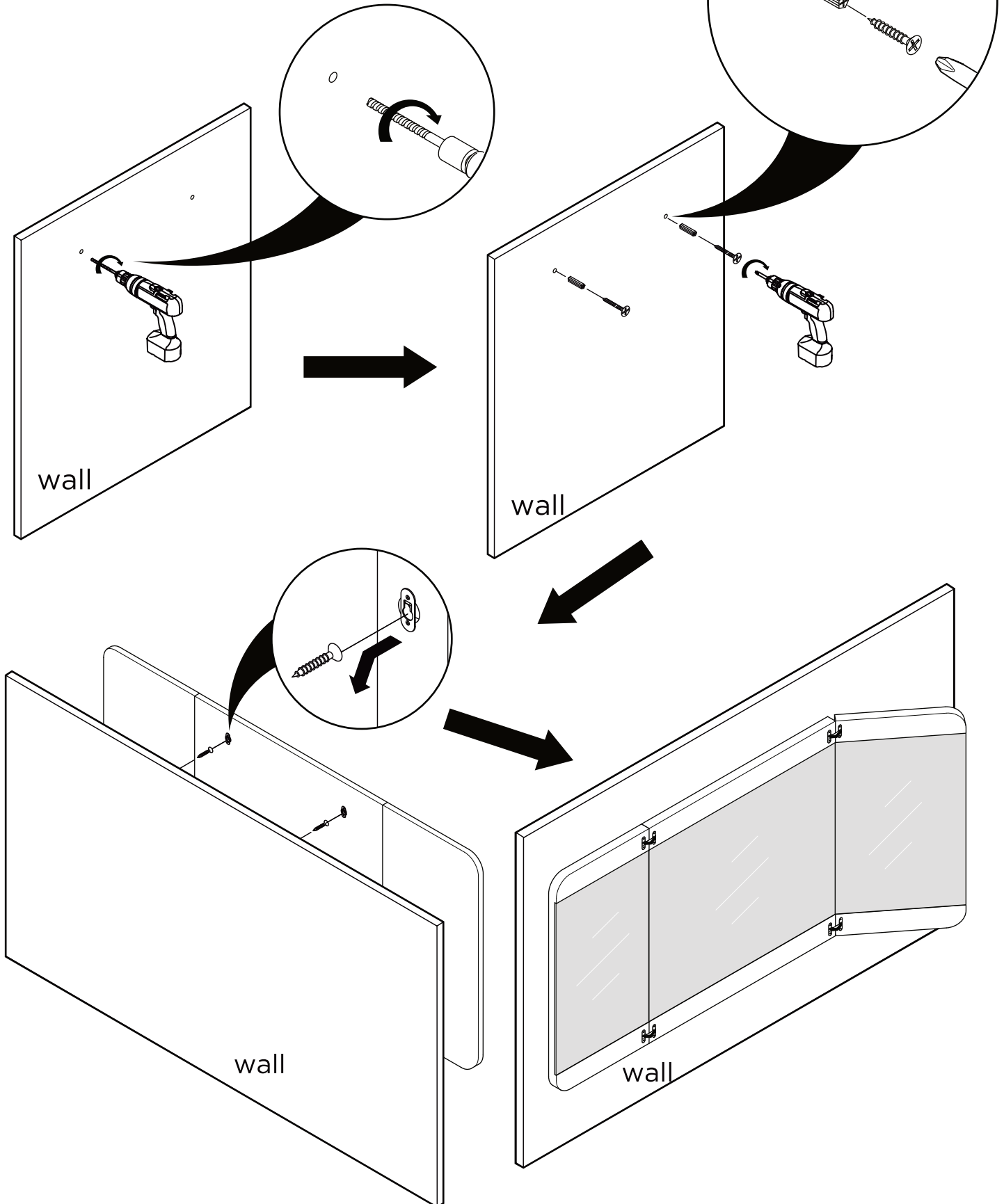
**NOTE:** Only use anchors (J) if stud (2"X4") is not available.



## TOOLS FOR ASSEMBLY

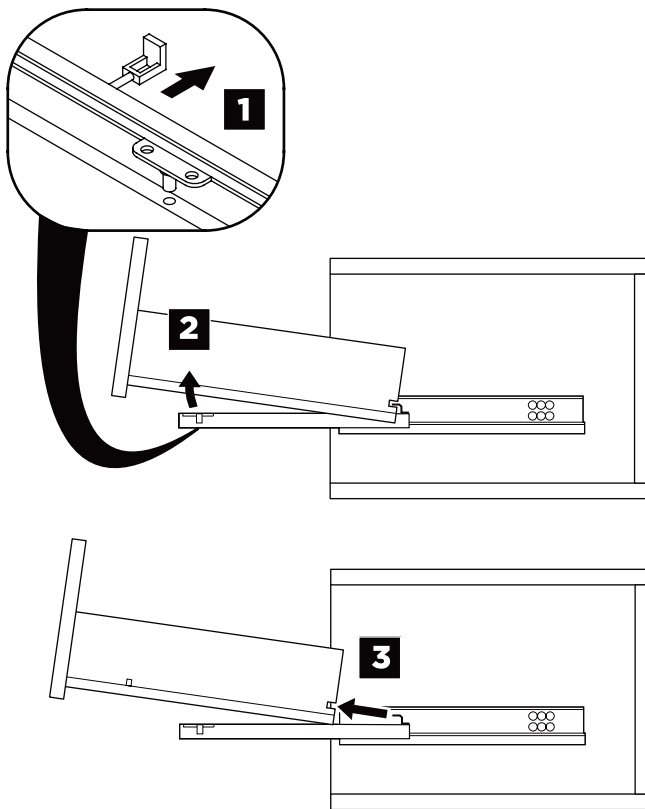


## MIRROR INSTALLATION

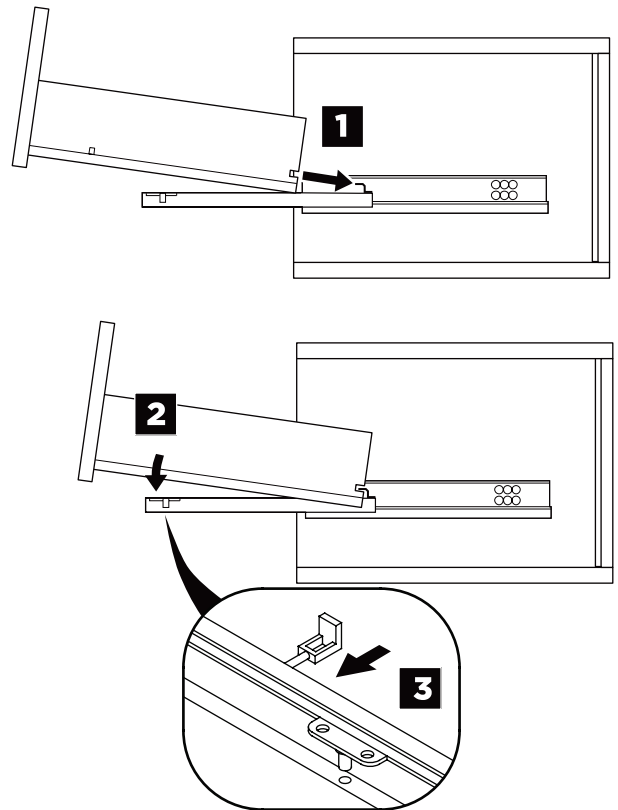


# DRAWER REMOVAL & INSTALLATION

## REMOVAL



## INSTALLATION

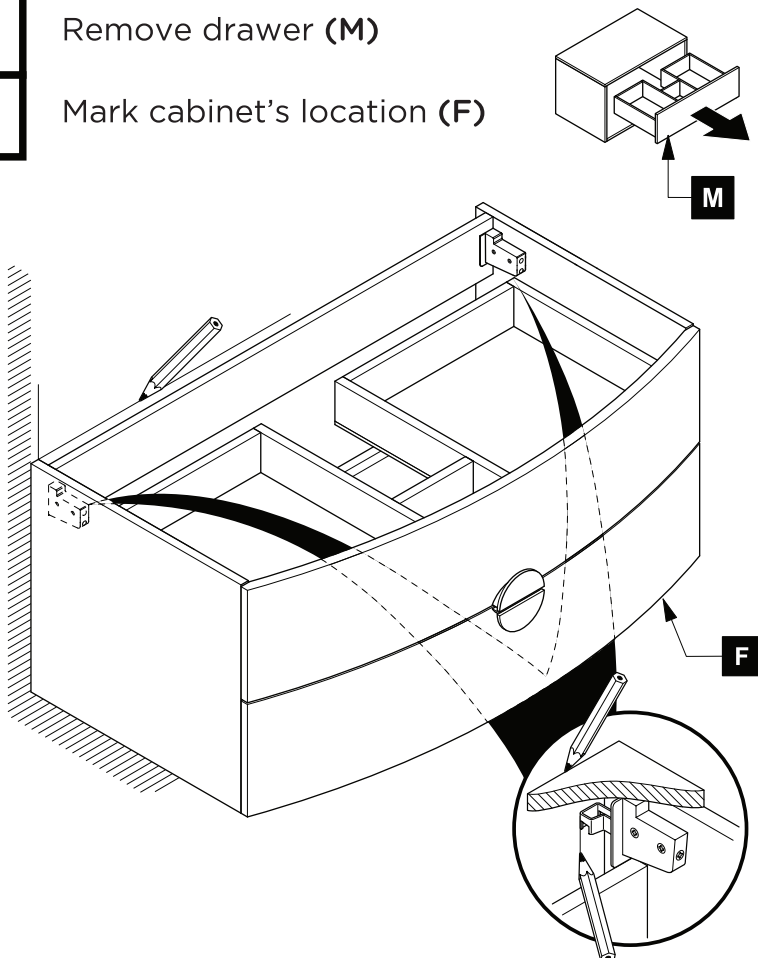


**1**

Remove drawer (M)

**2**

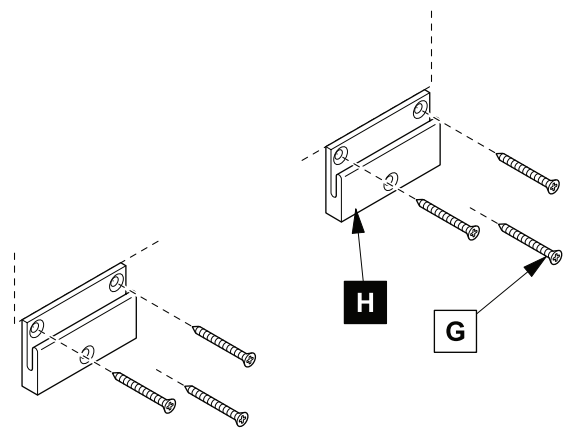
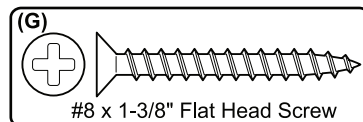
Mark cabinet's location (F)



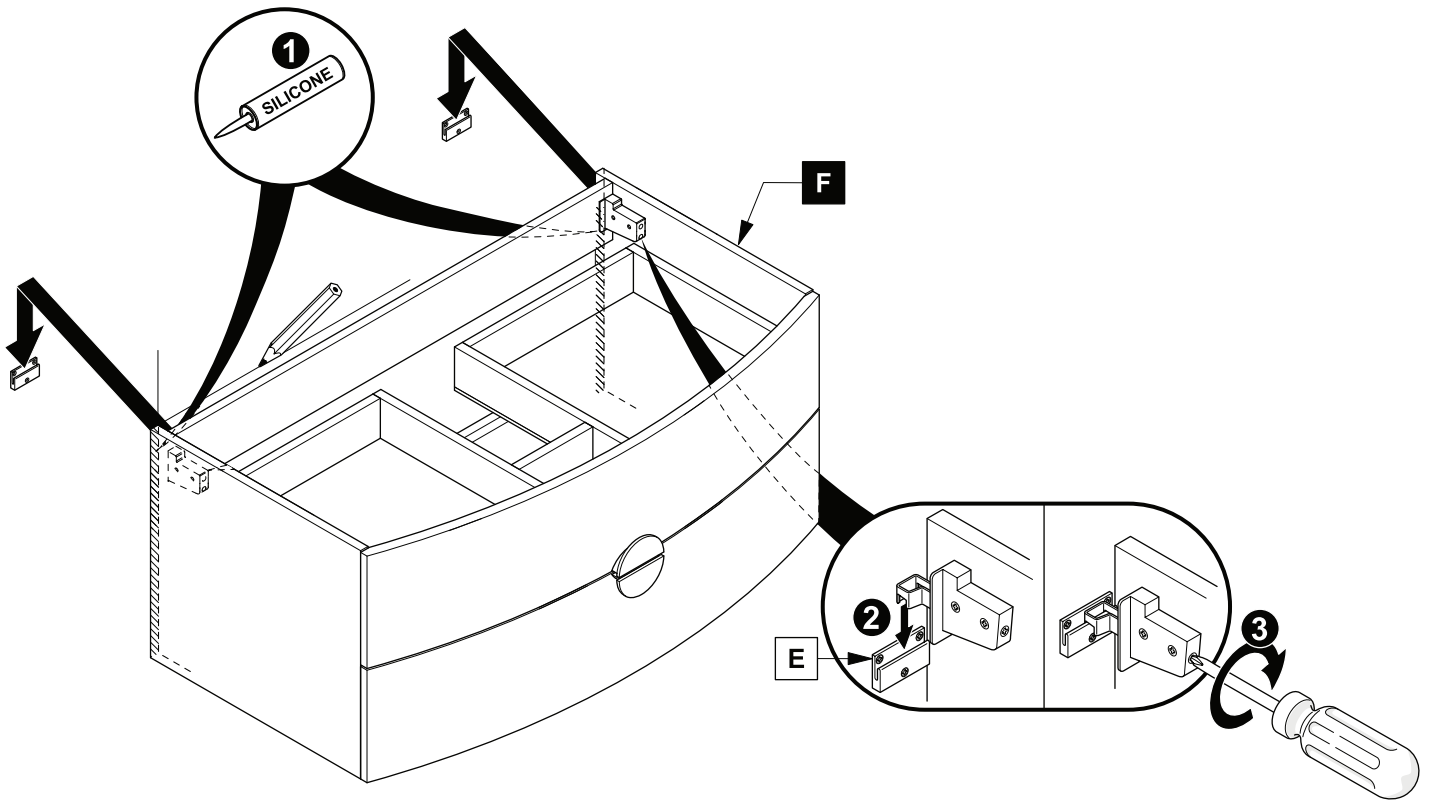
**3**

Connect wall brackets (H) to the wall

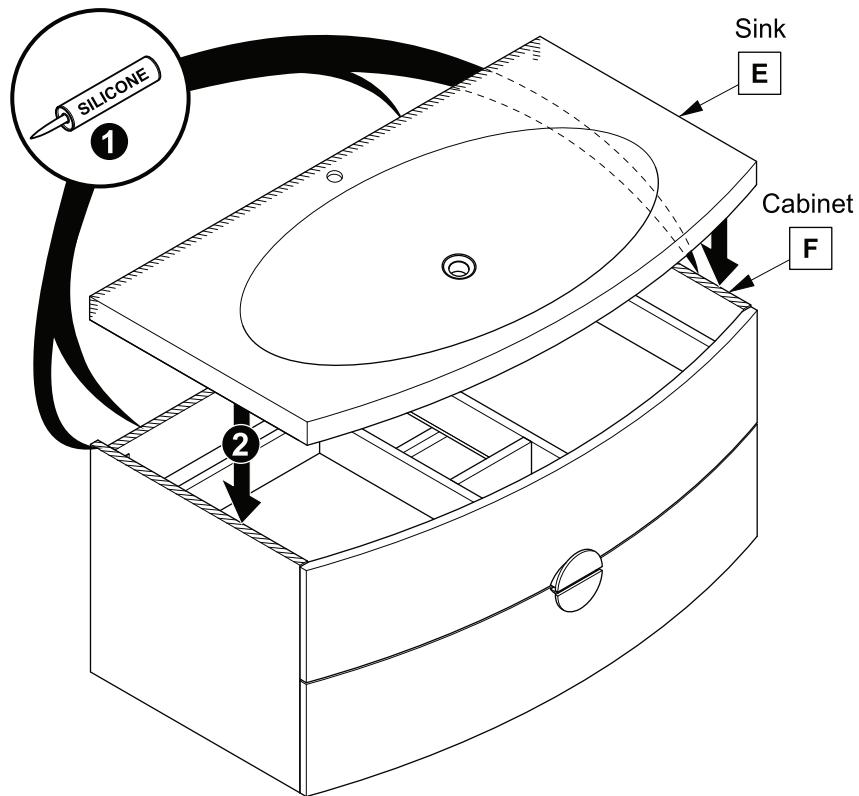
**IMPORTANT:** Consult an expert for the proper screws/bolts to use when attaching to various constructions. Screws provided do not attach to all wall construction types.



**4** Apply silicone and install cabinet (F)



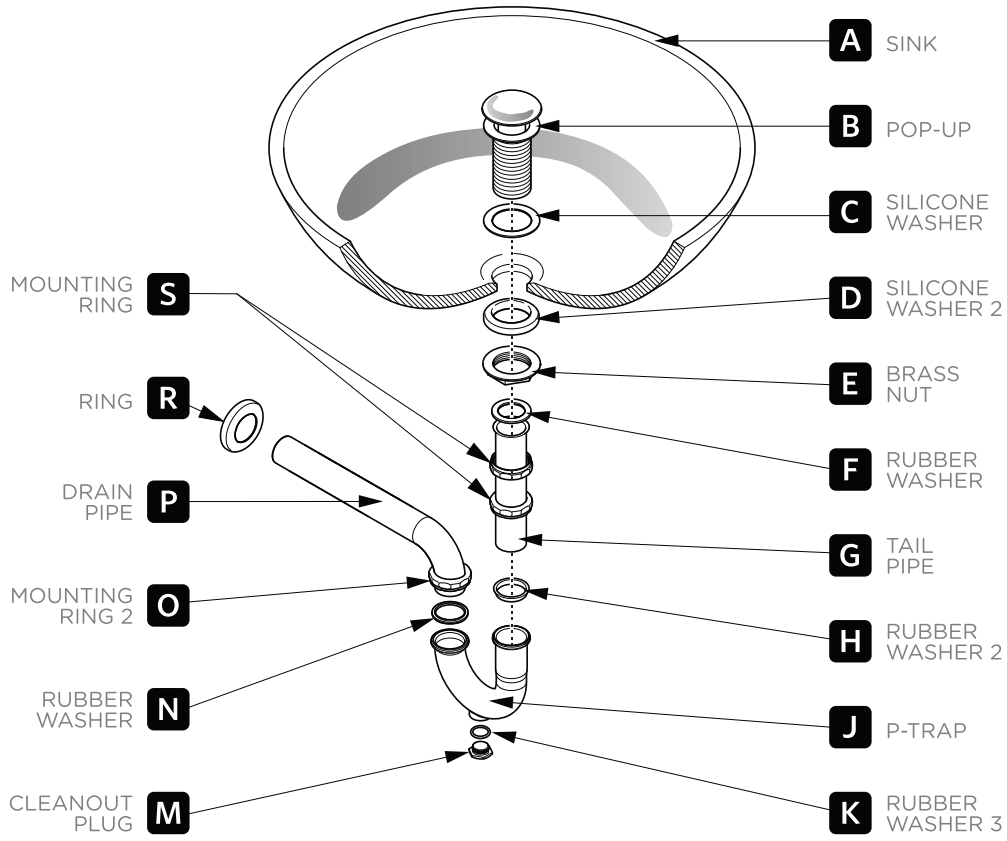
**5** Apply silicone and install sink (E)



# P-TRAP & POP-UP

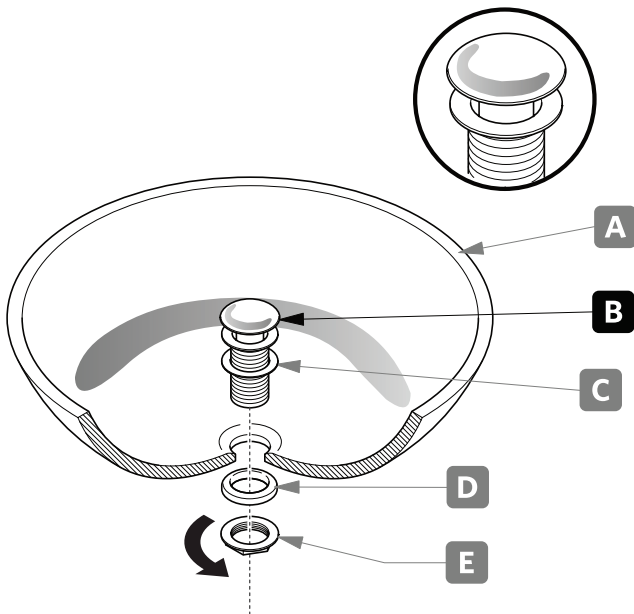
## INSTALLATION INSTRUCTIONS

Your item may appear slightly different from the illustration.



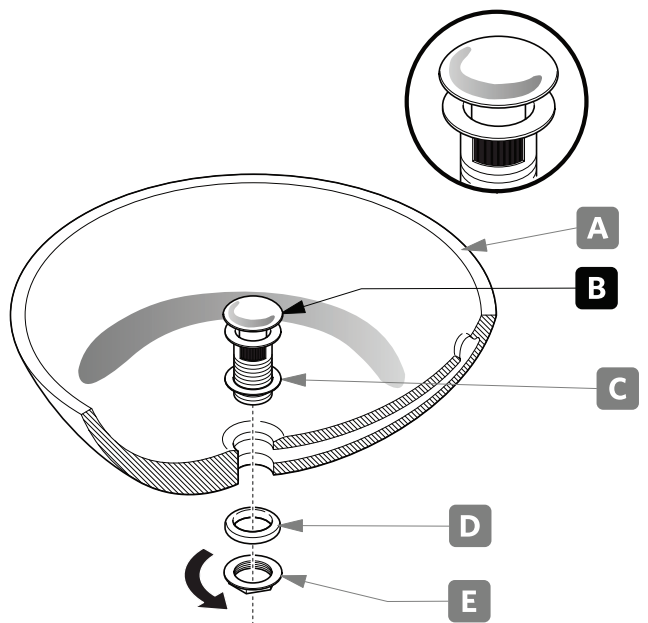
## POP-UP INSTALLATION

**FOR SINKS WITHOUT OVERFLOW**



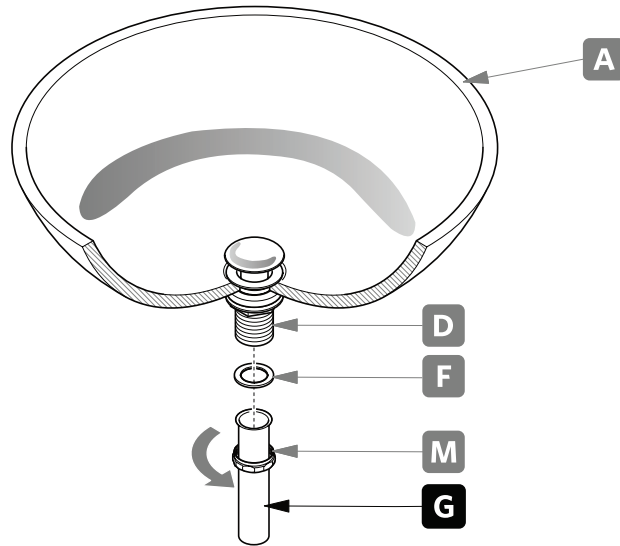
OR

**FOR SINKS WITH OVERFLOW**



# P-TRAP INSTALLATION

**1.** Install tail pipe (**G**).



**2.** Install P-trap (**J**).

