



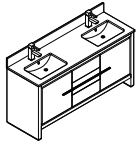
# FVN8119

# ALLIER

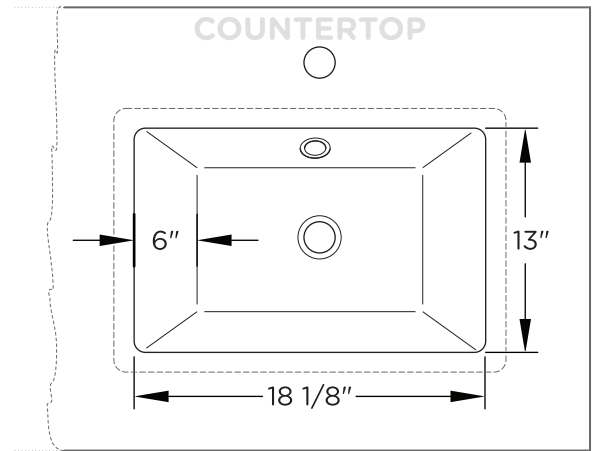
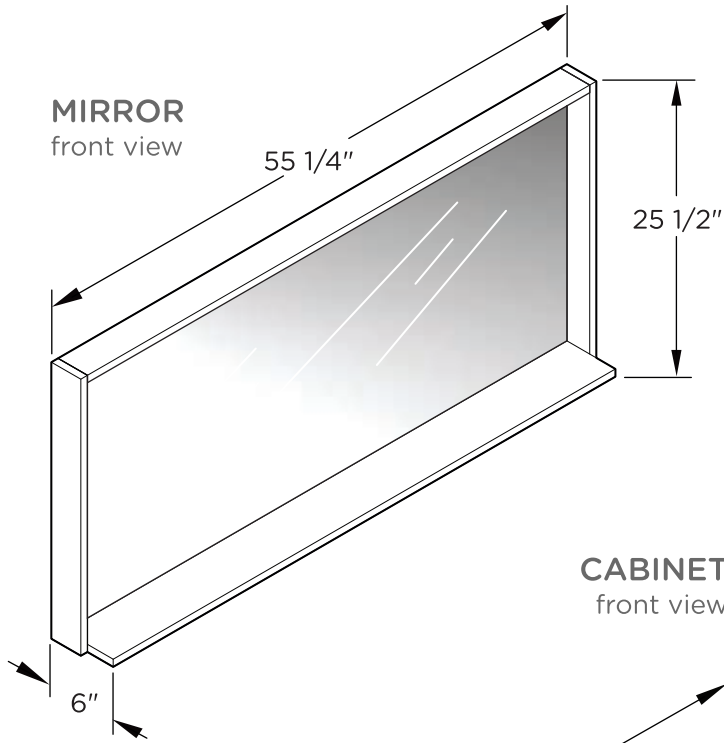
## INSTALLATION GUIDE

### CONTENTS:

Cabinet.....(FCB8119) .....	PAGE <b>3</b>
Sink.....(FVS8119) .....	PAGE <b>3</b>
Mirror.....(FMR8119) .....	PAGE <b>2</b>
Countertop.....(FCT8119) .....	PAGE <b>4</b>

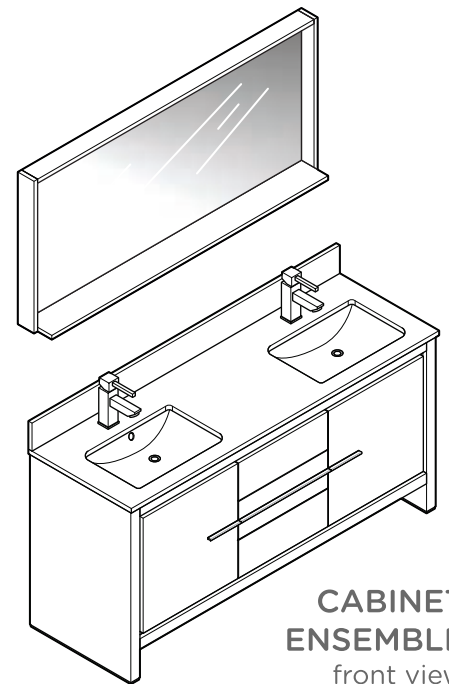
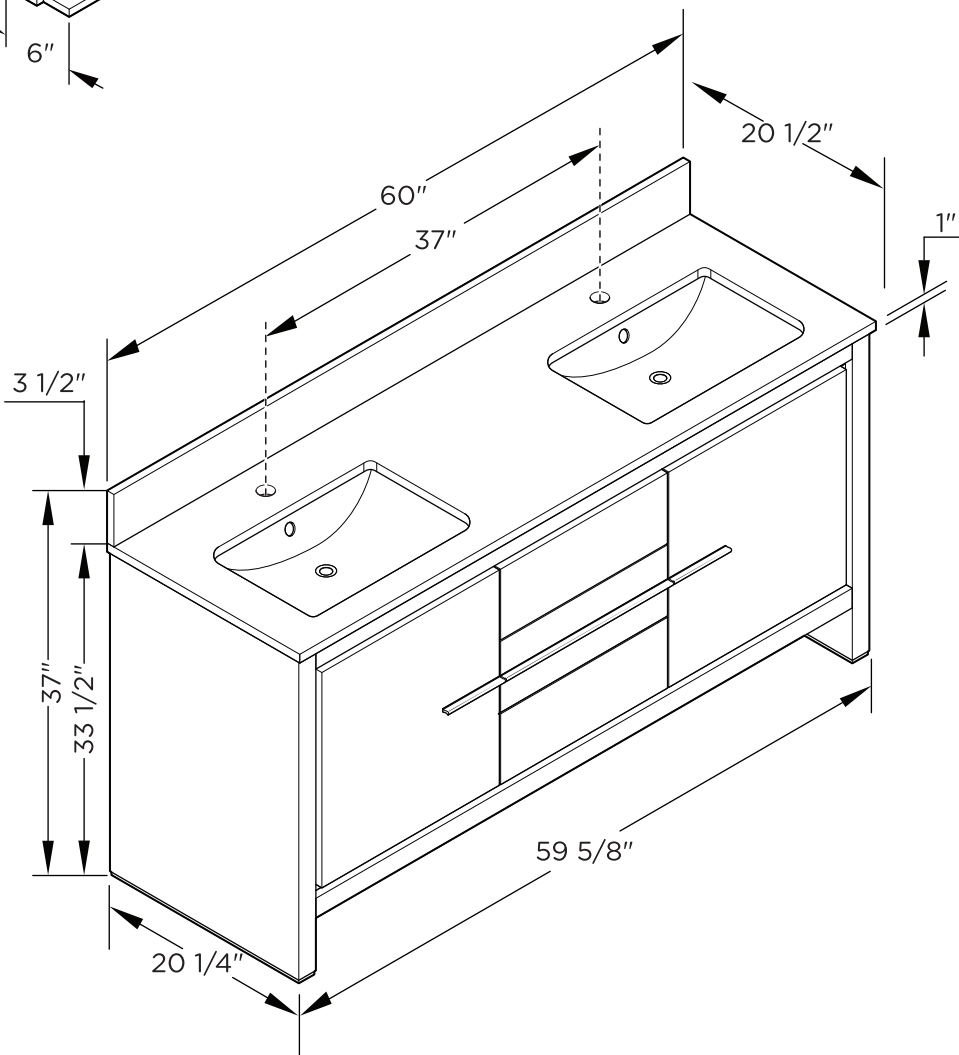


**FVN8119**  
**ALLIER**  
**INSTALLATION GUIDE**



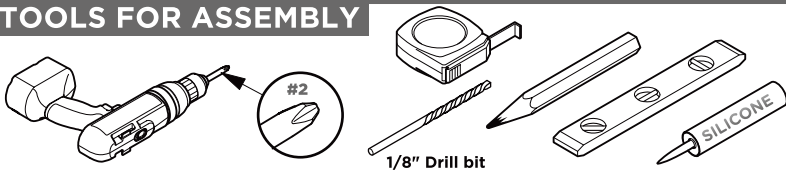
**SINK**  
top view

**CABINET**  
front view

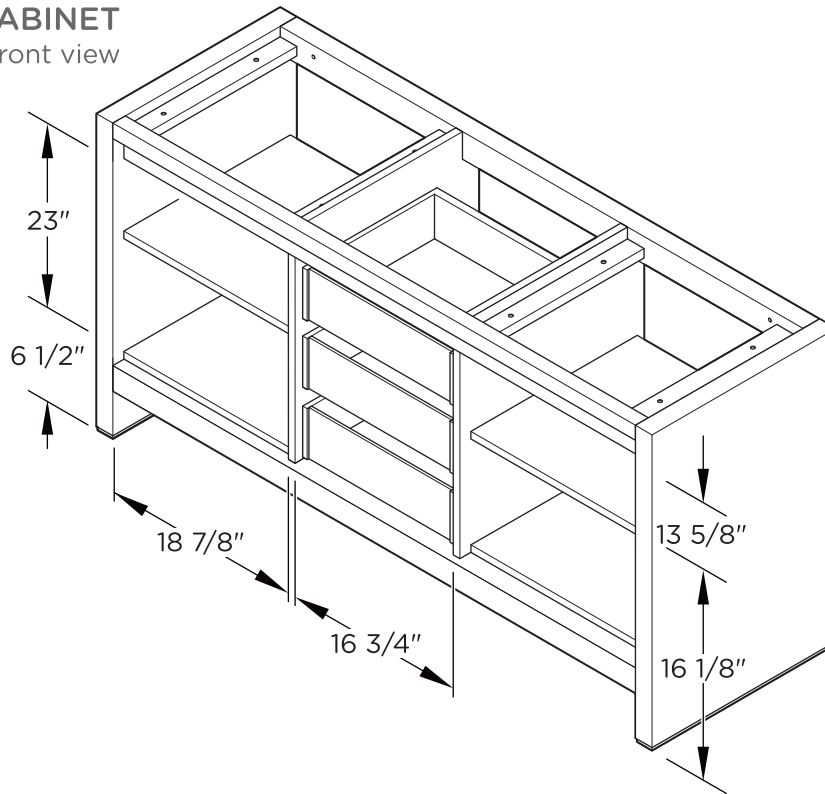


**NOTE:** ALL DIMENSIONS & SPECIFICATIONS ARE APPROXIMATE AND SUBJECT TO CHANGE WITHOUT NOTICE.

## TOOLS FOR ASSEMBLY

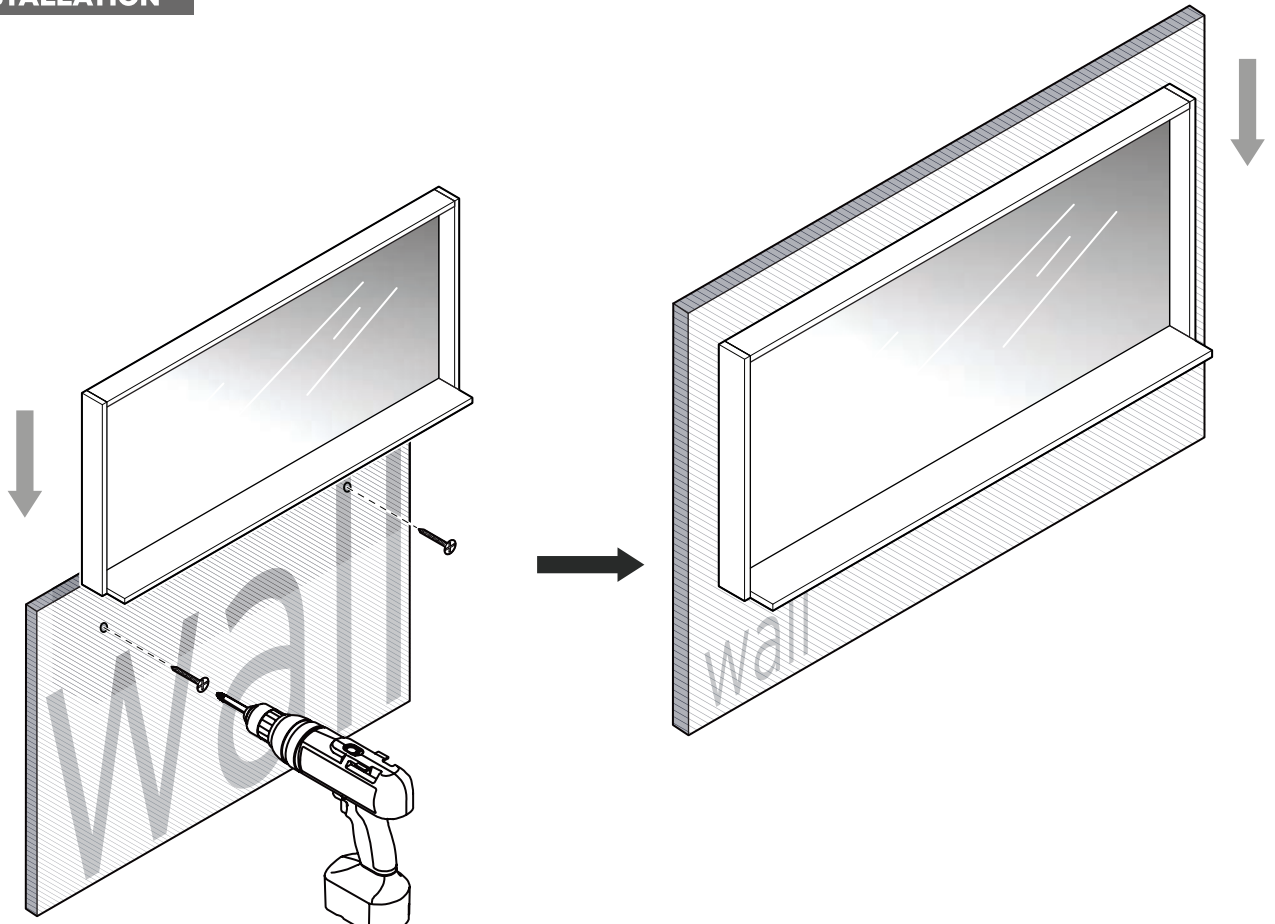


### CABINET front view



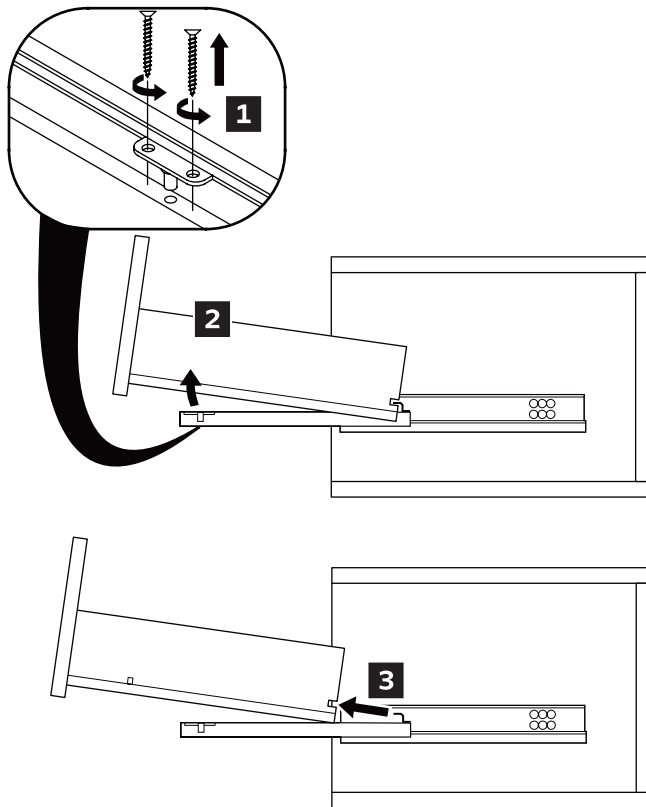
NOTE: ALL DIMENSIONS & SPECIFICATIONS ARE APPROXIMATE AND SUBJECT TO CHANGE WITHOUT NOTICE.

## MIRROR INSTALLATION

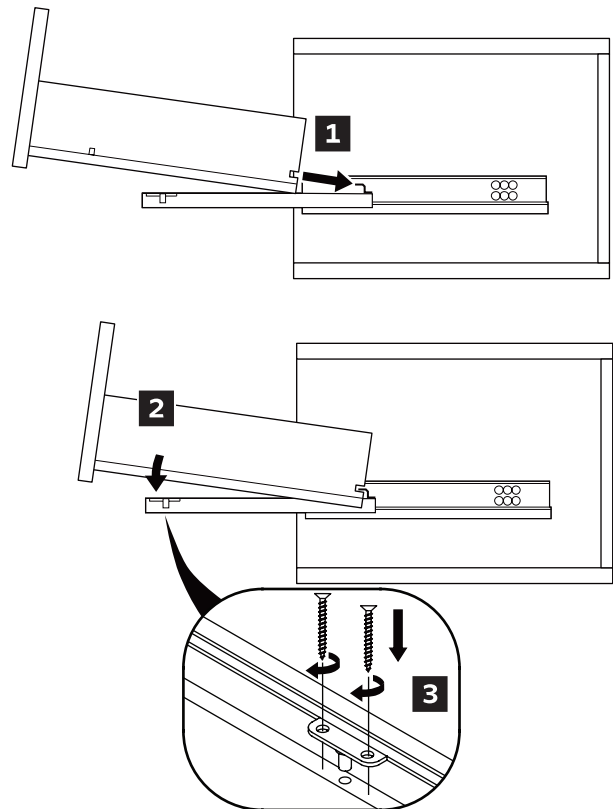


# DRAWER REMOVAL & INSTALLATION

## REMOVAL



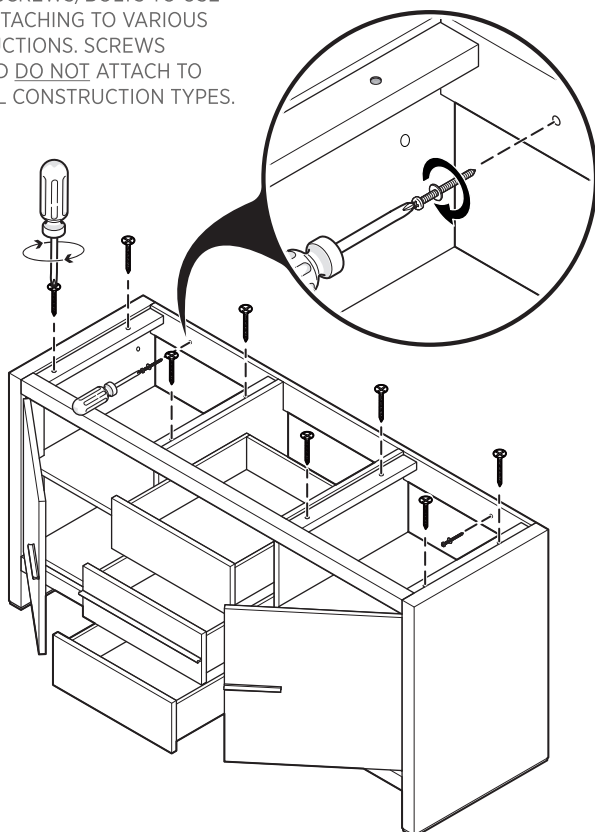
## INSTALLATION



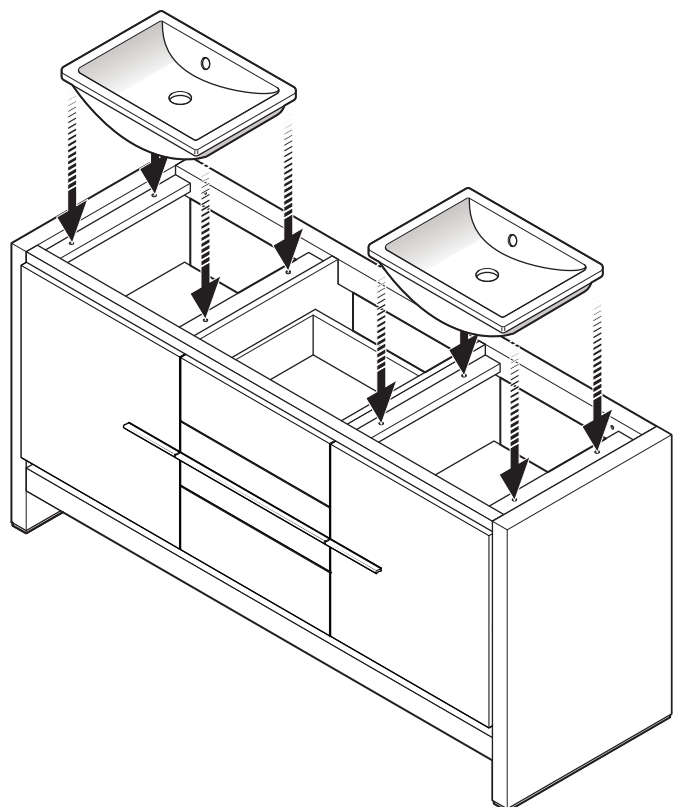
### 1 Attach screws with the screwdriver

#### IMPORTANT:

CONSULT AN EXPERT FOR THE PROPER SCREWS/BOLTS TO USE WHEN ATTACHING TO VARIOUS CONSTRUCTIONS. SCREWS PROVIDED DO NOT ATTACH TO ALL WALL CONSTRUCTION TYPES.

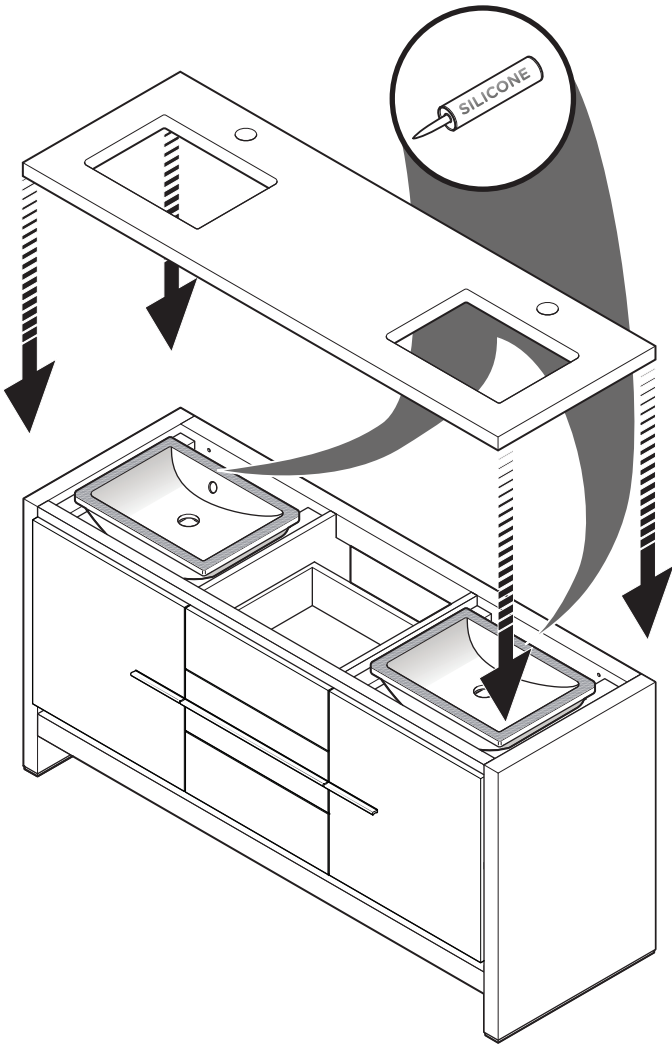


### 2 Install both sinks



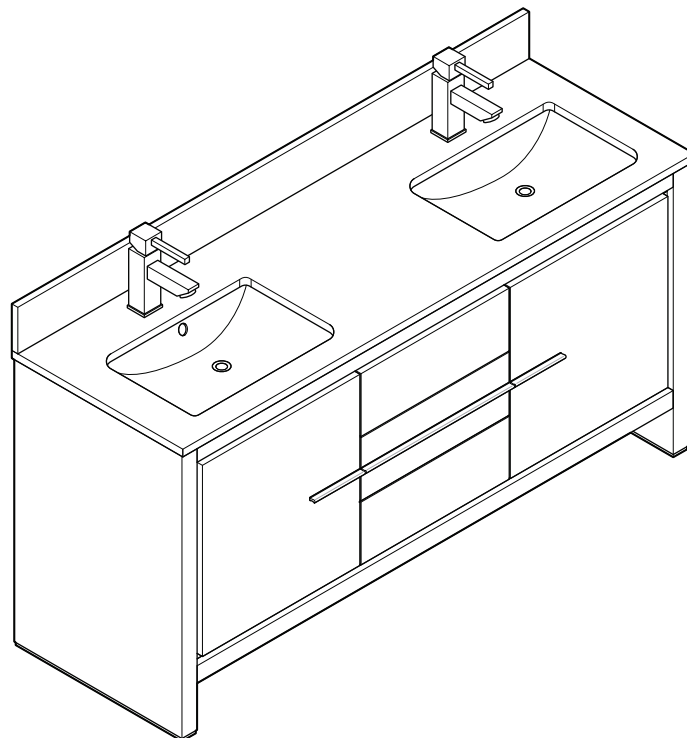
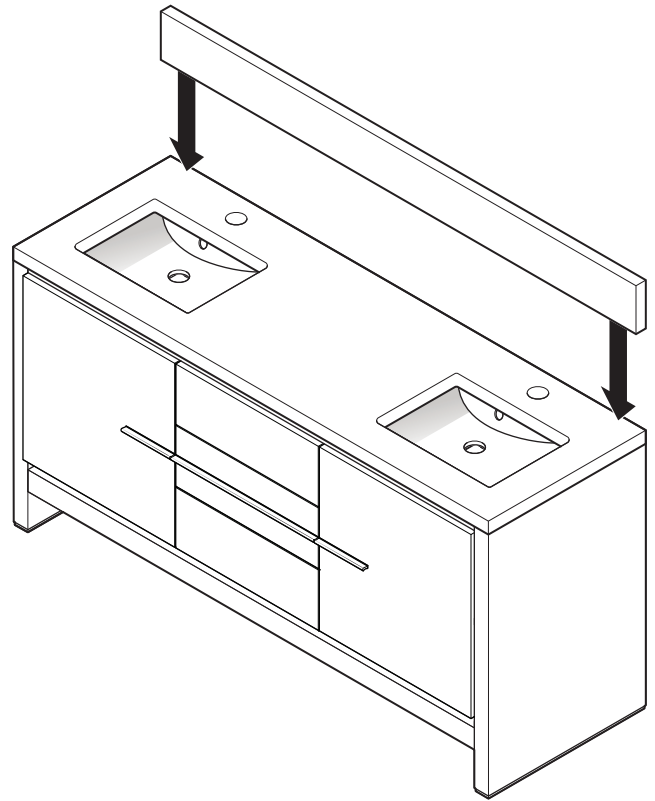
**3**

Apply silicone and install countertop



**4**

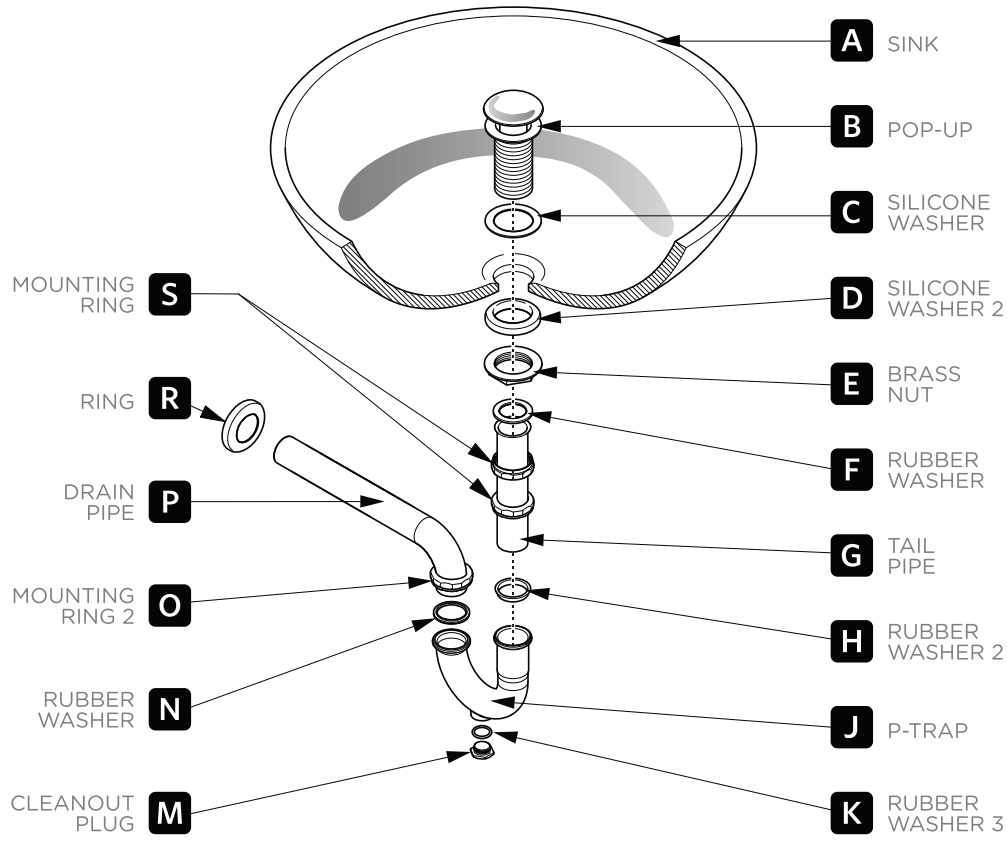
Install backsplash



# P-TRAP & POP-UP

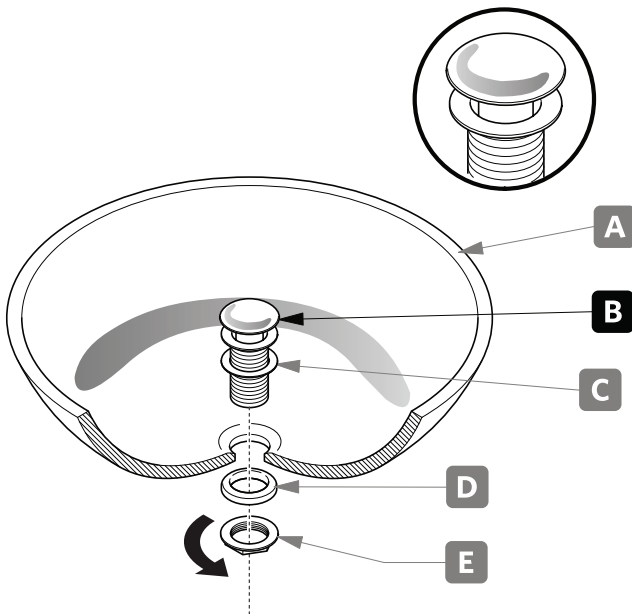
## INSTALLATION INSTRUCTIONS

Your item may appear slightly different from the illustration.



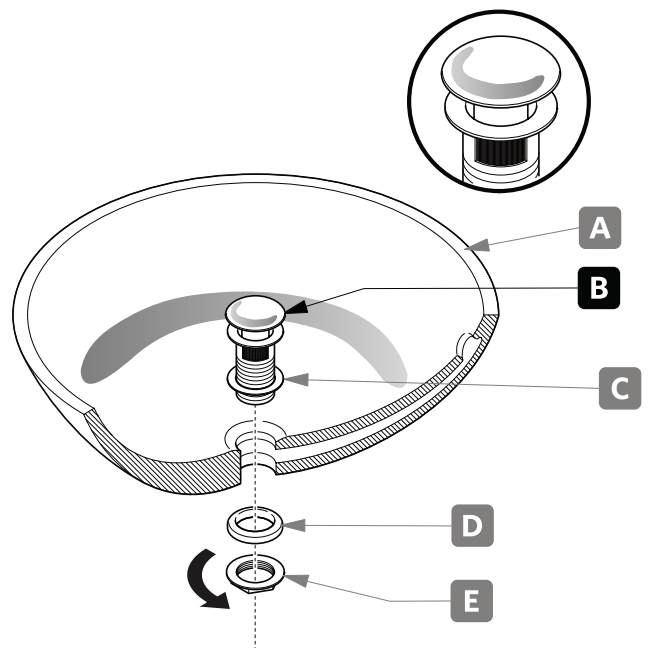
## POP-UP INSTALLATION

**FOR SINKS WITHOUT OVERFLOW**



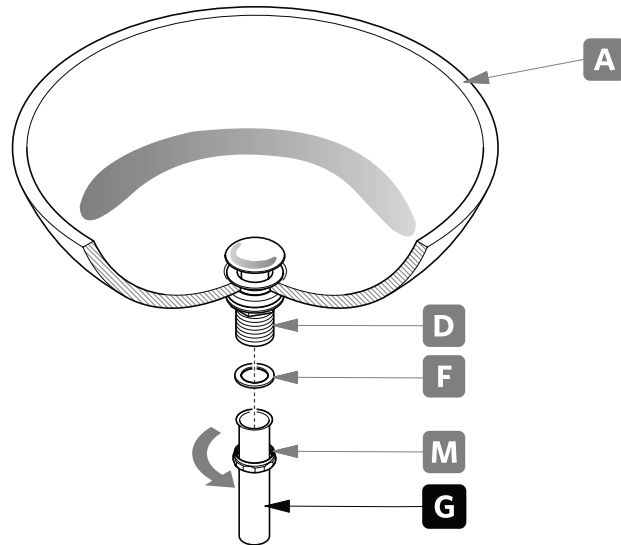
OR

**FOR SINKS WITH OVERFLOW**



# P-TRAP INSTALLATION

**1** Install tail pipe (G).



**2** Install P-trap (J).

