



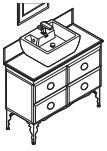
FVN7714

MOSELLE

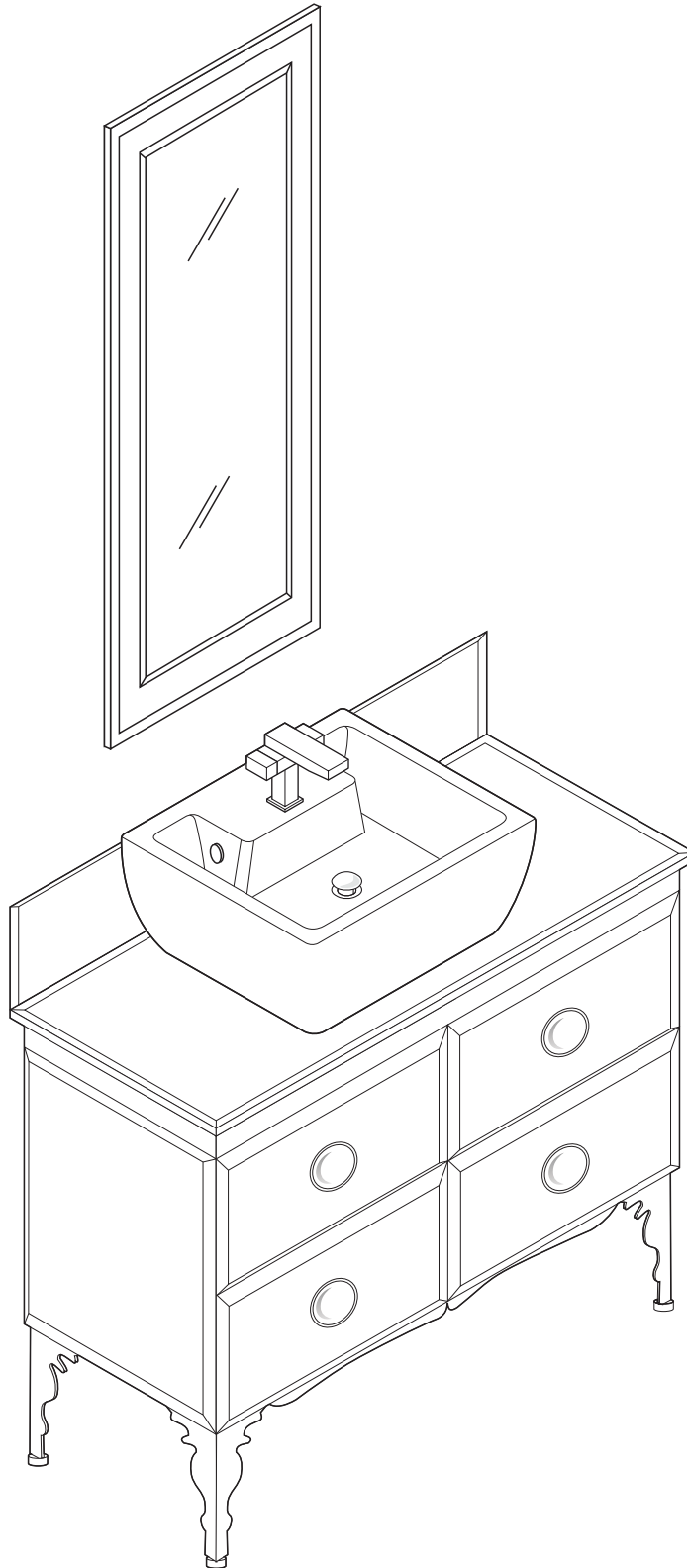
INSTALLATION GUIDE

CONTENTS:

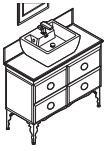
Cabinet.....	(FCB7714).....	PAGE 4
Sink.....	(FVS7712).....	PAGE 4
Mirror.....	(FMR7712).....	PAGE 2



FVN7714 MOSELLE INSTALLATION GUIDE



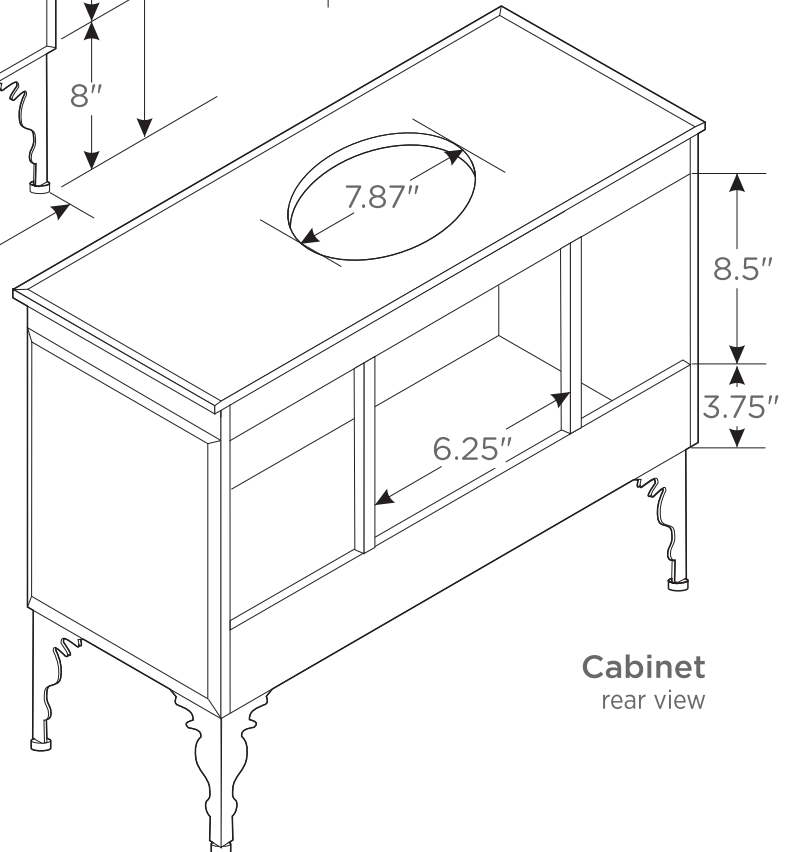
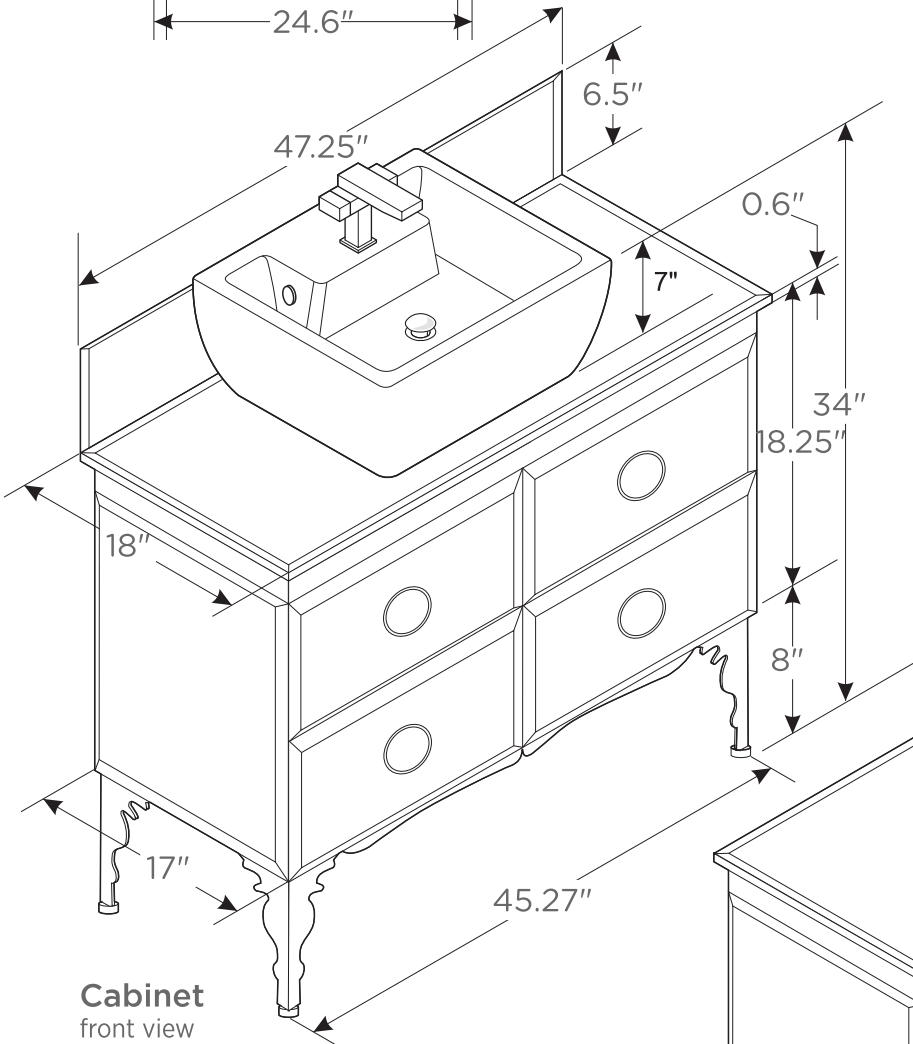
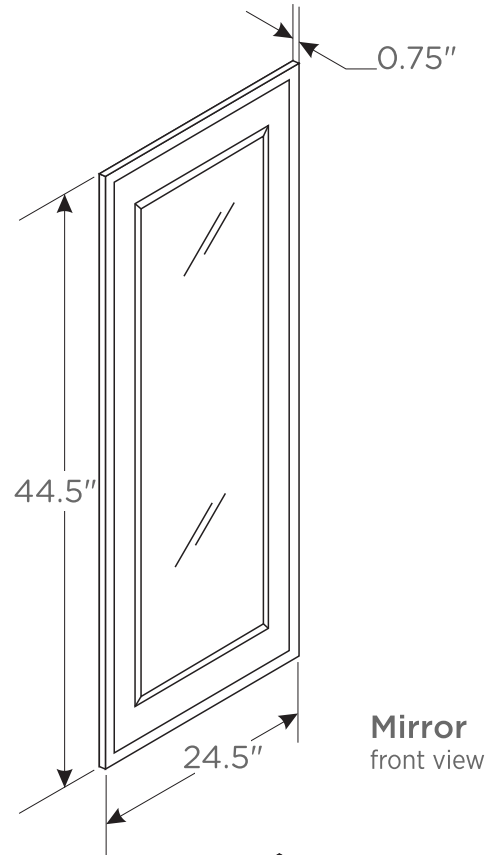
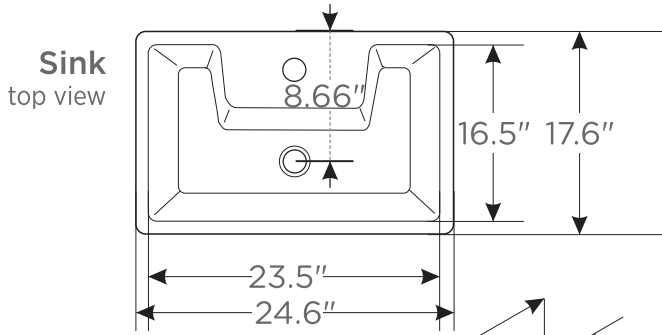
NOTE: ALL DIMENSIONS & SPECIFICATIONS ARE APPROXIMATE AND SUBJECT TO CHANGE WITHOUT NOTICE.



FVN7714 MOSELLE INSTALLATION GUIDE



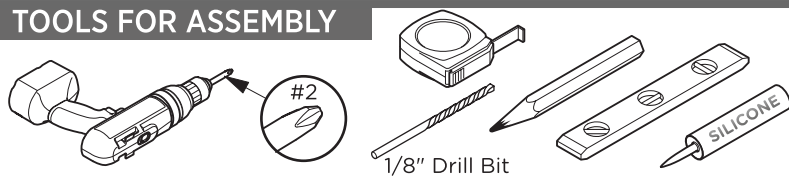
DIMENSIONS



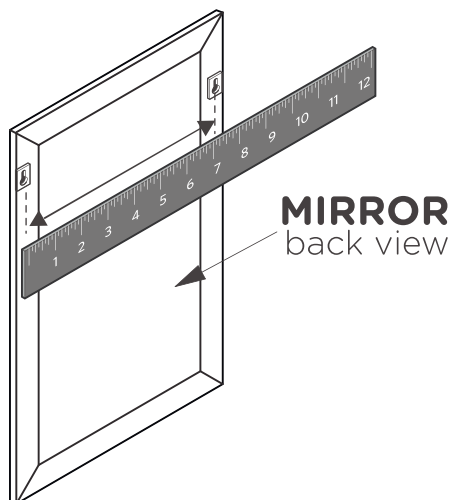
NOTE:

ALL DIMENSIONS & SPECIFICATIONS ARE APPROXIMATE AND SUBJECT TO CHANGE WITHOUT NOTICE.

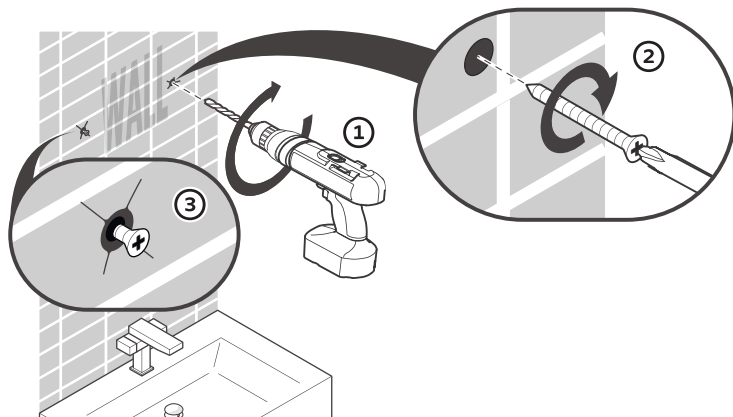
TOOLS FOR ASSEMBLY



- 1 Measure the distance between the brackets on the back of the mirror



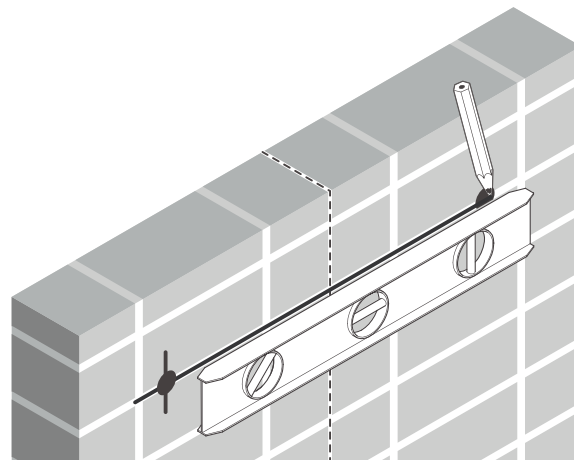
- 3 Once position is marked, drill 2 holes and insert anchors if stud is not available



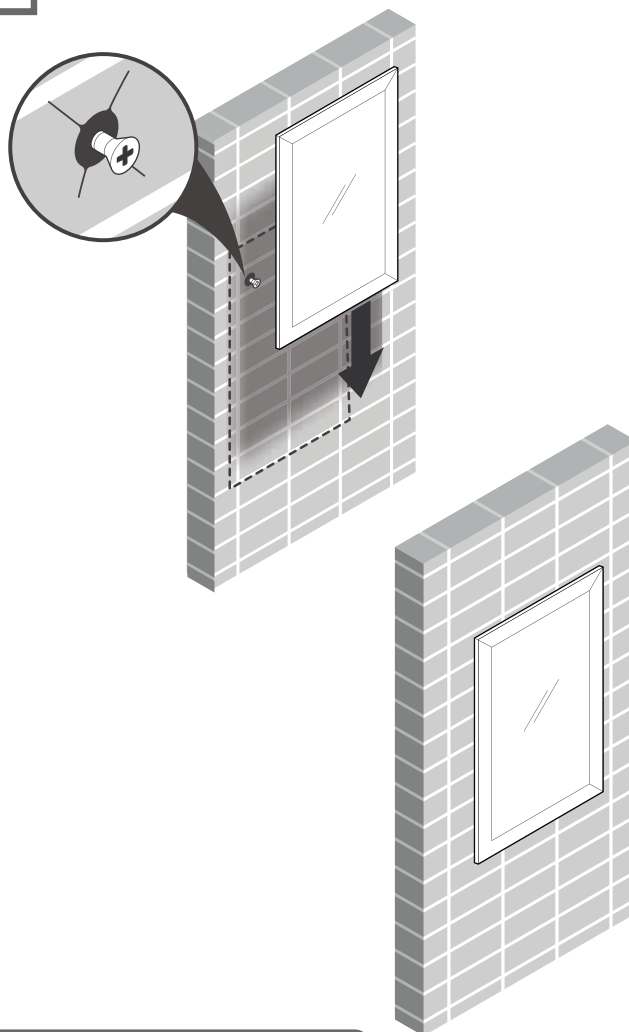
NOTE: Consult an expert for the proper screws/bolts to use when attaching to various constructions. Screws provided do not attach to all wall construction types.

MIRROR INSTALLATION

- 2 Mark the measured distance on the wall using a level

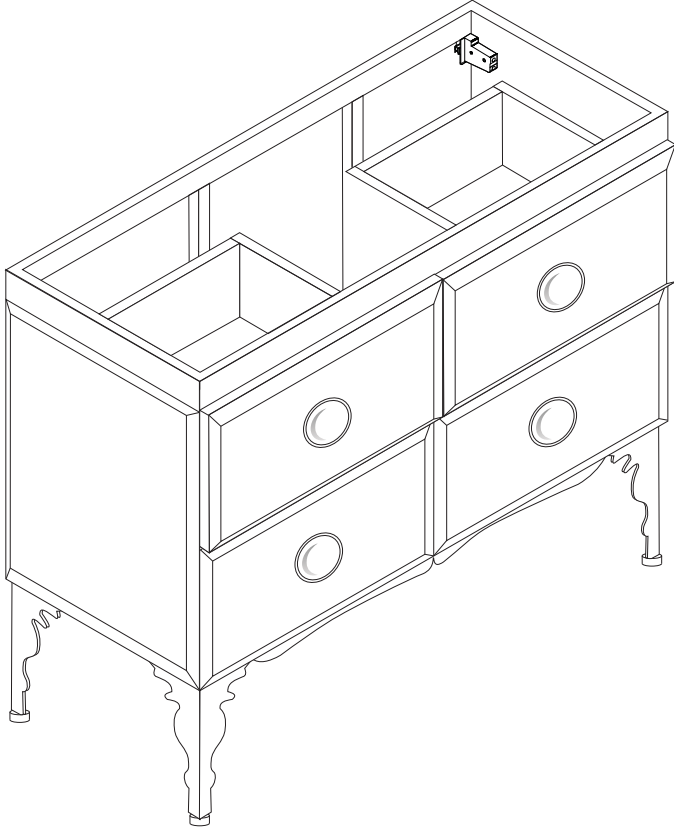


- 4 Hang mirror on the wall

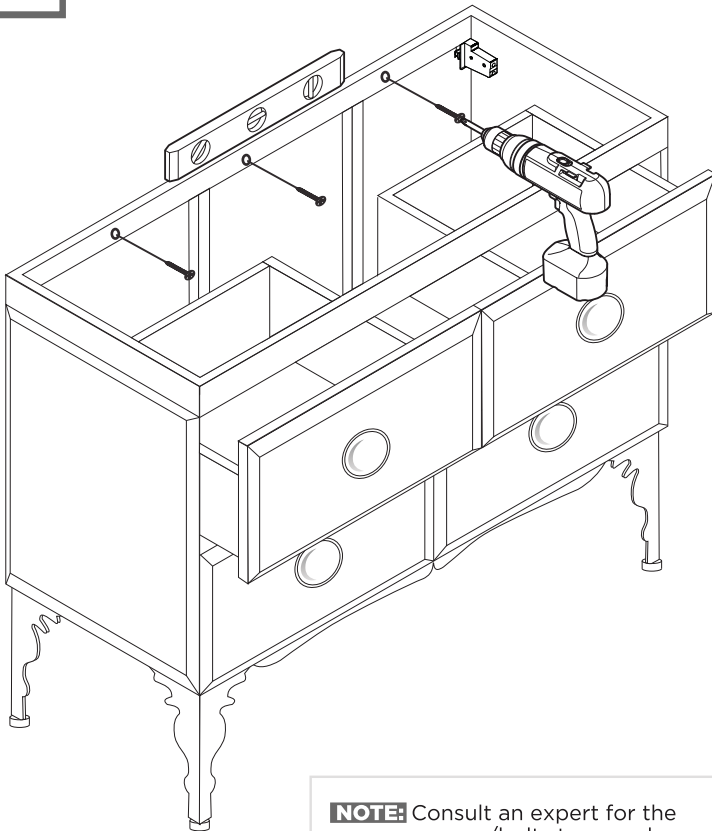


VANITY INSTALLATION

1 Place cabinet in designated location.

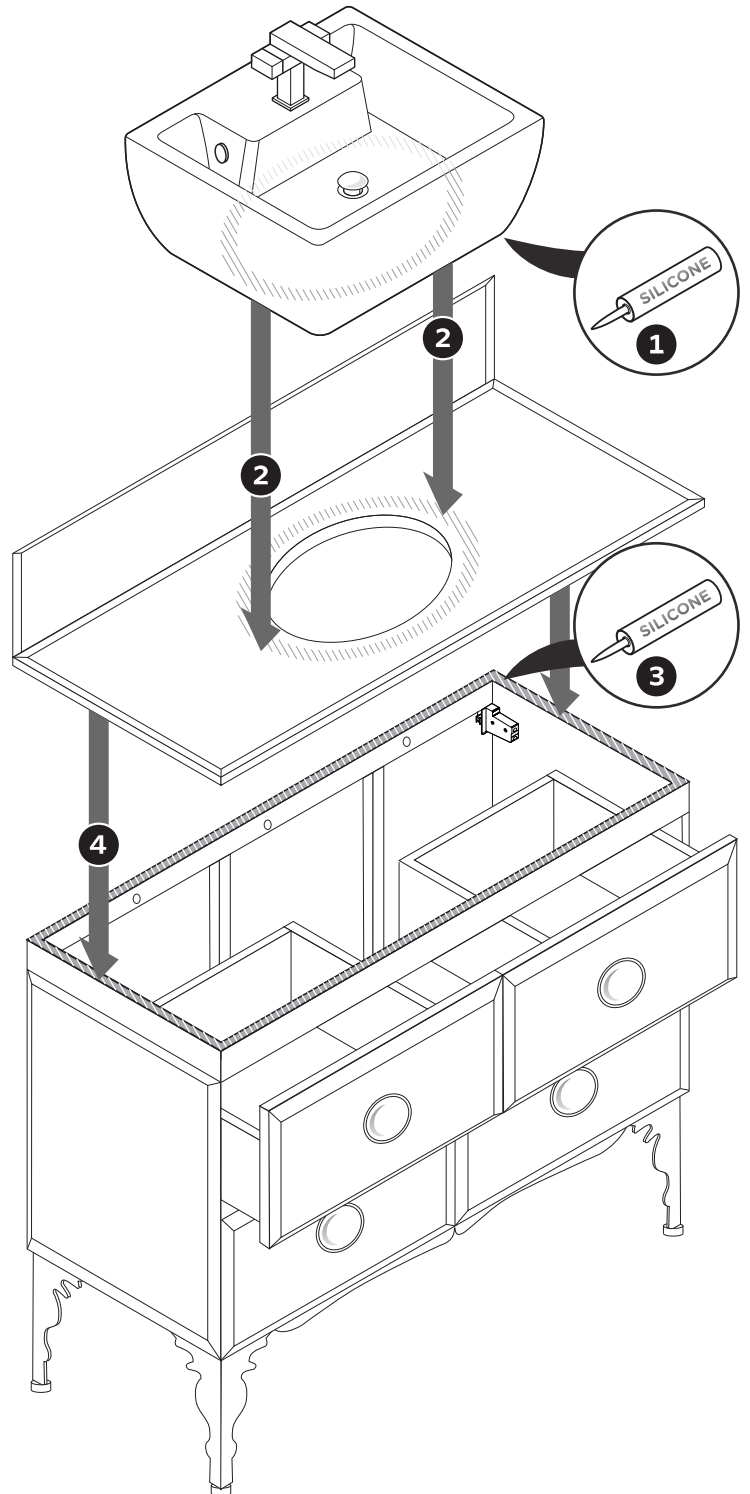


2 Connect the cabinet to the wall



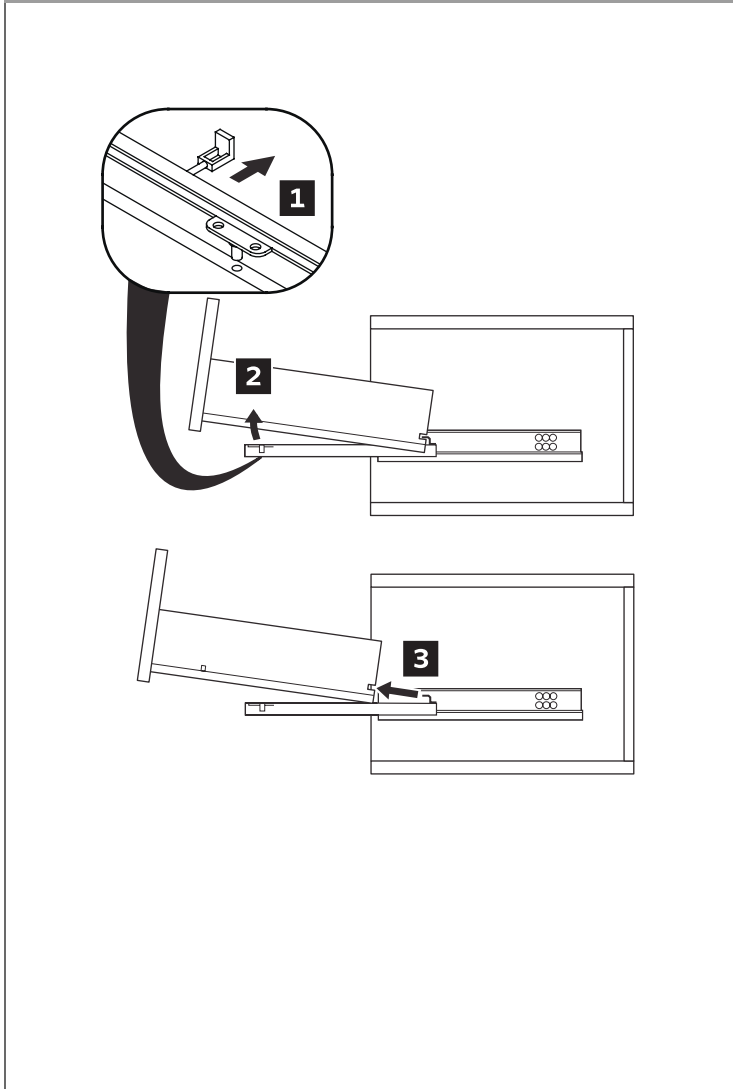
NOTE: Consult an expert for the proper screws/bolts to use when attaching to various constructions. Screws provided do not attach to all wall construction types.

3 Apply a bead of silicone on the top of the cabinet and place countertop on it. Apply silicone on the bottom of the sink and place the sink on the countertop.

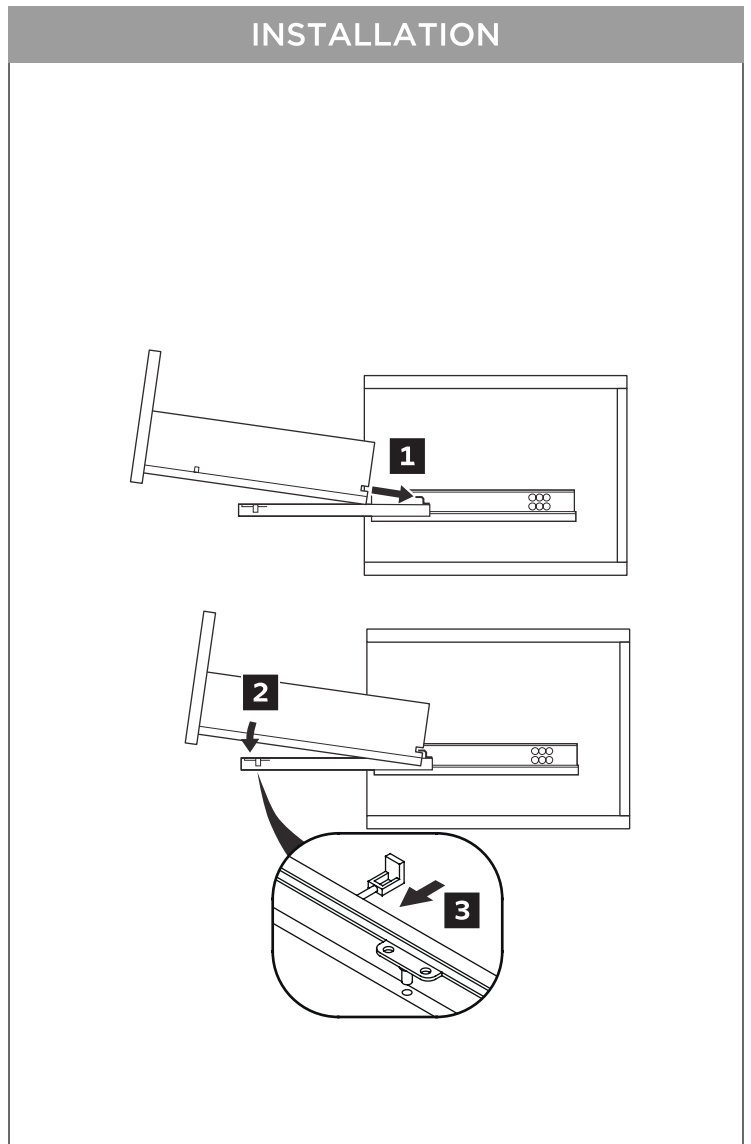


DRAWER REMOVAL & INSTALLATION

REMOVAL



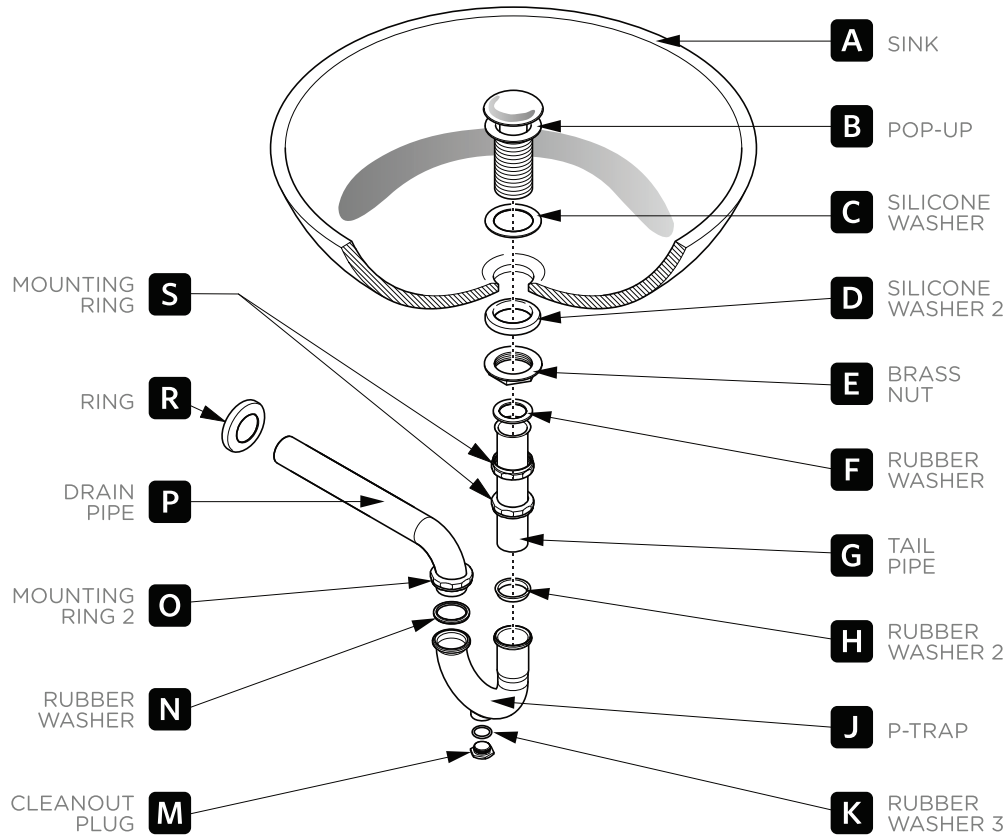
INSTALLATION



P-TRAP & POP-UP

INSTALLATION INSTRUCTIONS

Your item may appear slightly different from the illustration.



POP-UP INSTALLATION

FOR SINKS WITH OVERFLOW

