

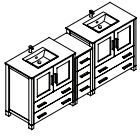


# FVN62-301230-UNS TORINO

## INSTALLATION GUIDE

### CONTENTS:

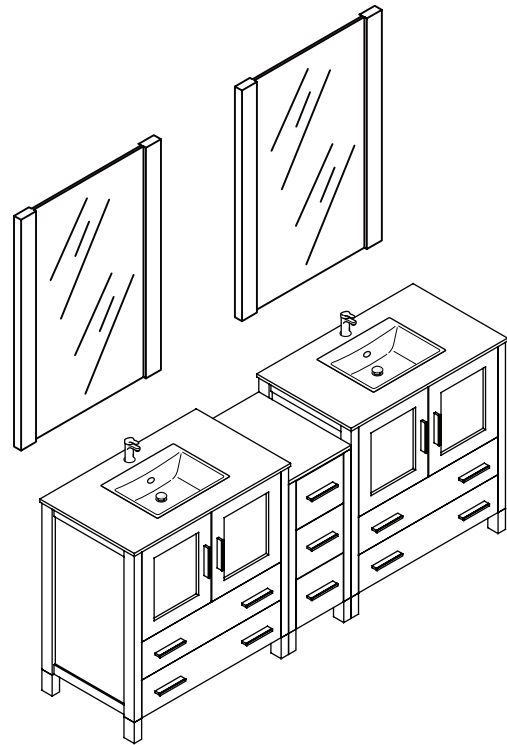
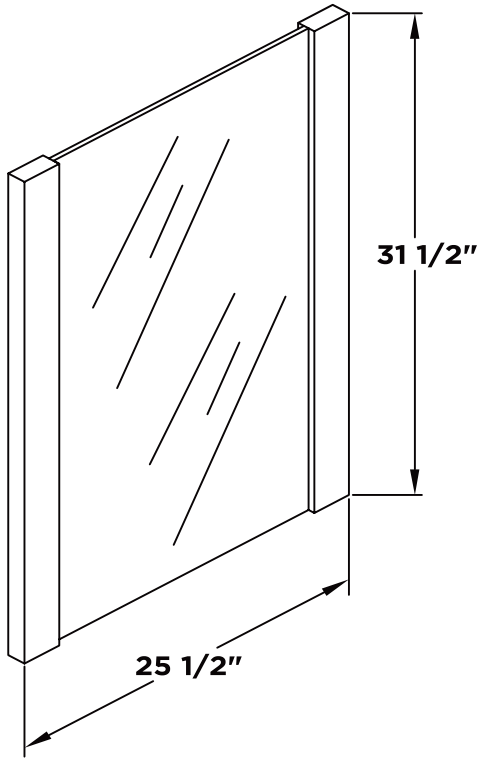
Cabinet .....	(FCB62-301230).....	PAGE 3
Sink .....	(FVS6230).....	PAGE 4
Mirror.....	(FMR6230).....	PAGE 2



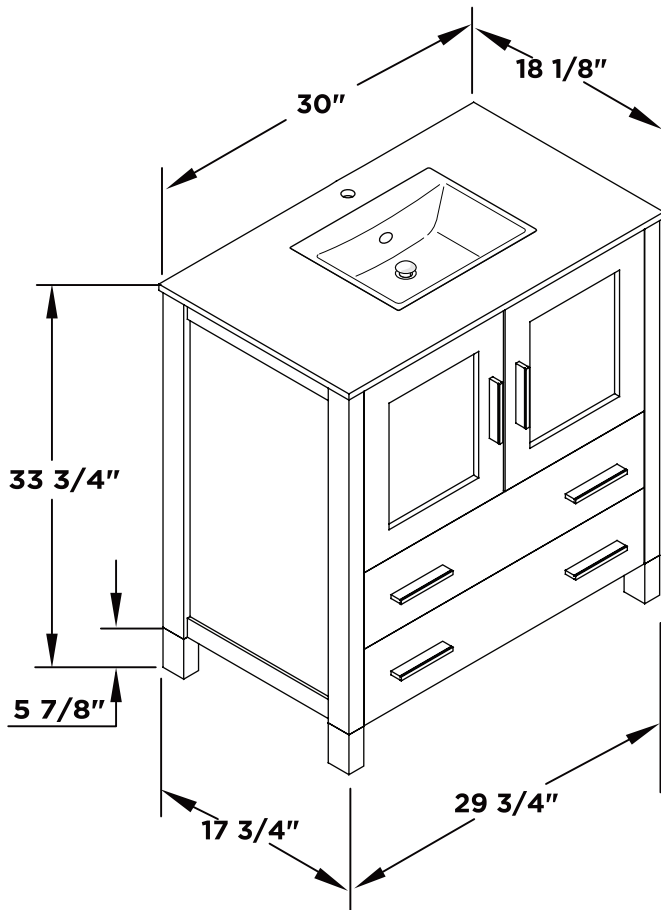
# FVN62-301230-UNS TORINO INSTALLATION GUIDE



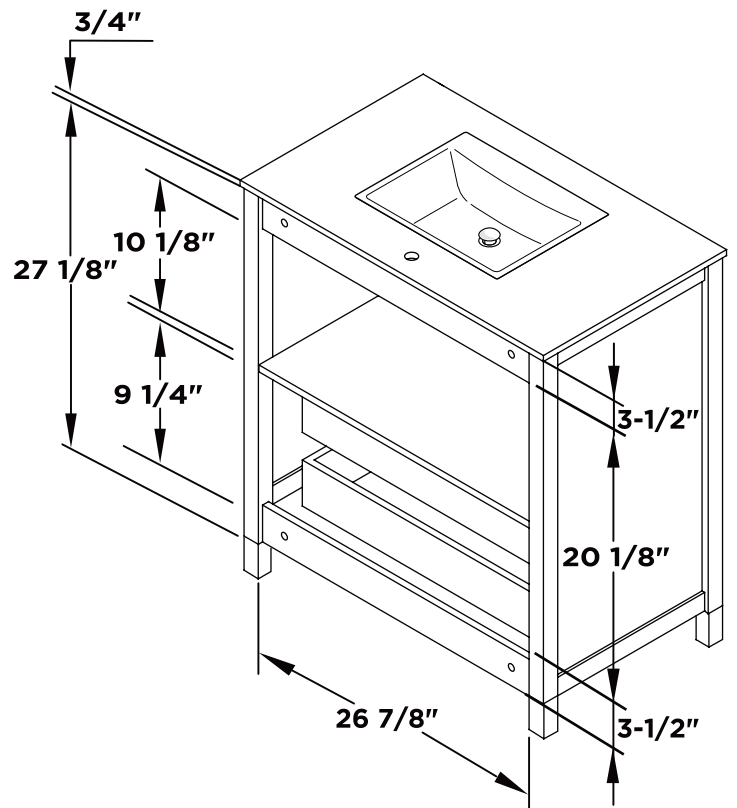
Mirror 2PCS



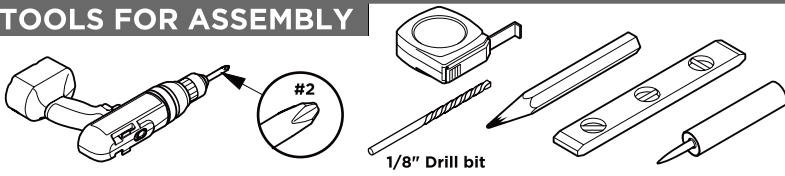
Vanity Front 2PCS



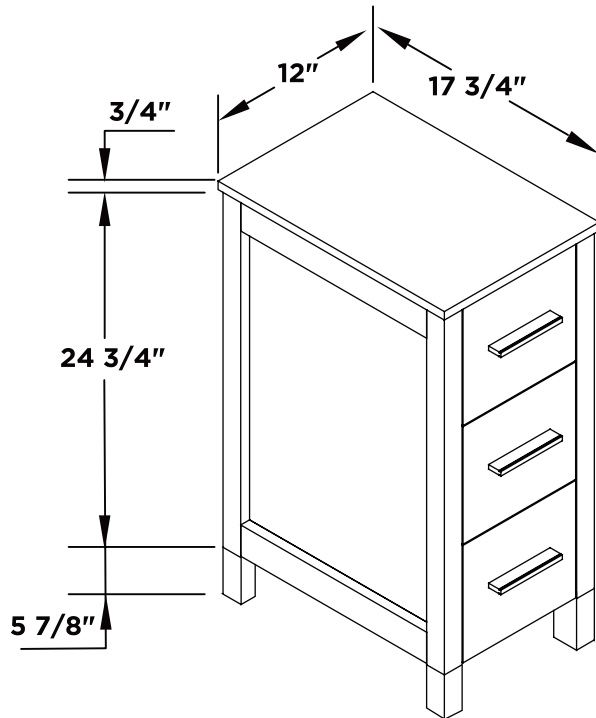
Vanity Back 2PCS



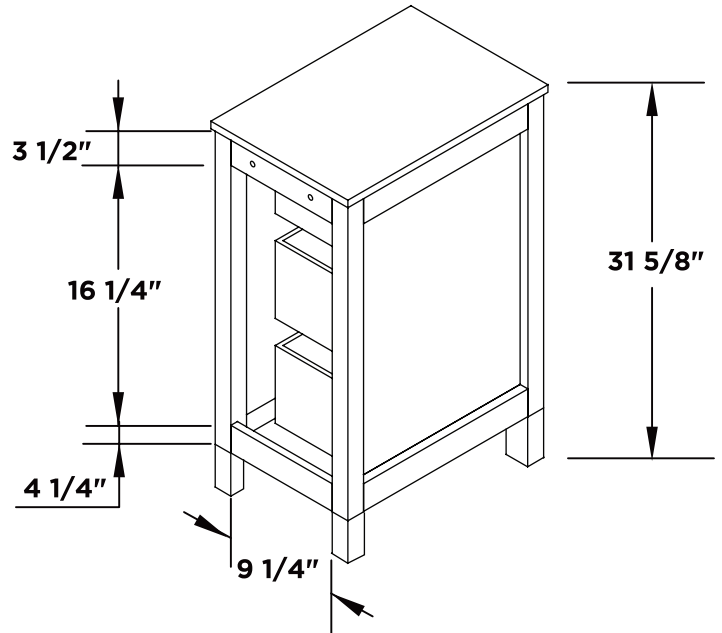
## TOOLS FOR ASSEMBLY



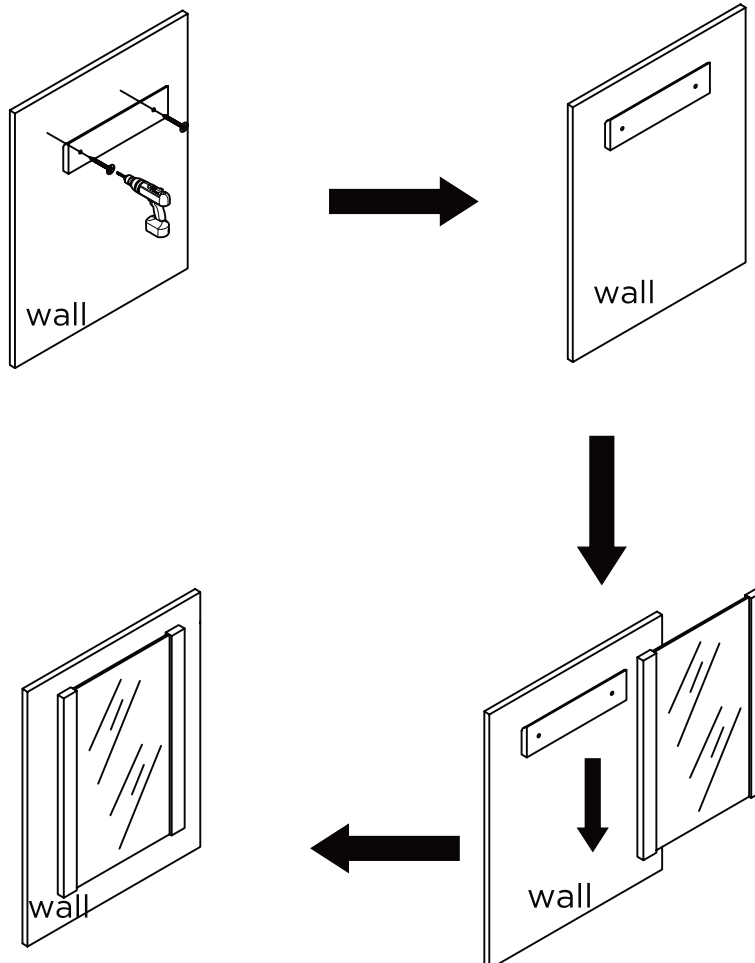
Side Cabinet Front



Side Cabinet Back

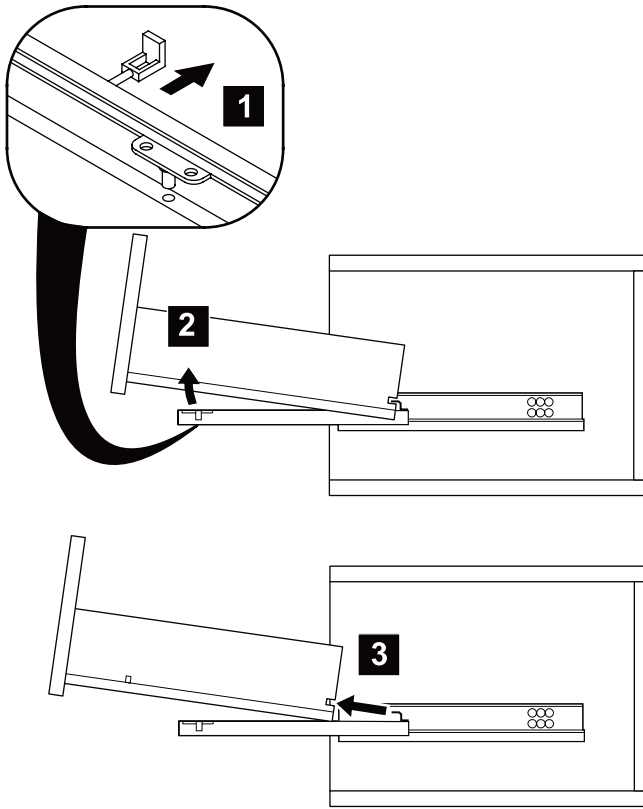


## MIRROR INSTALLATION

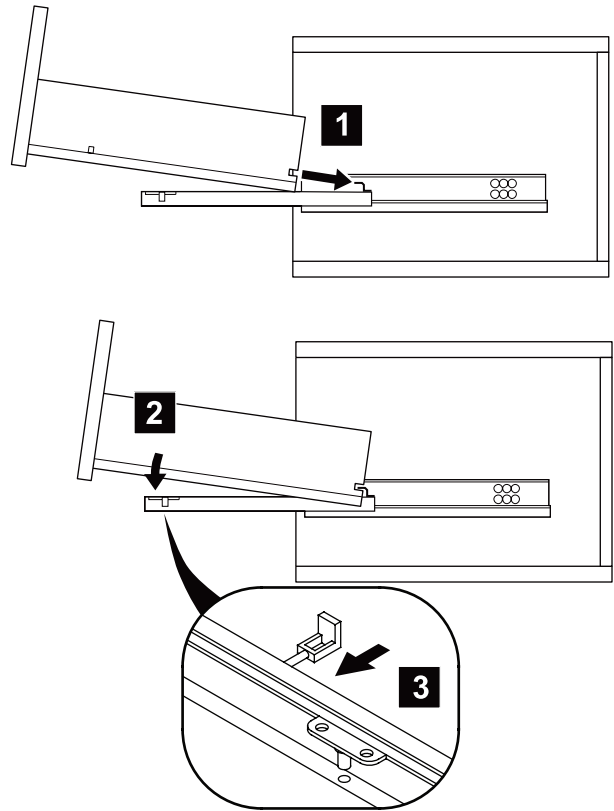


# DRAWER REMOVAL & INSTALLATION

## REMOVAL

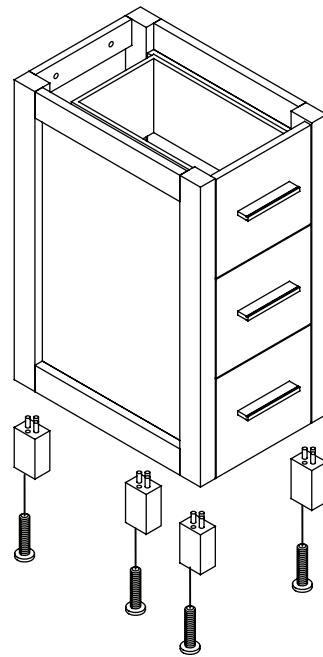
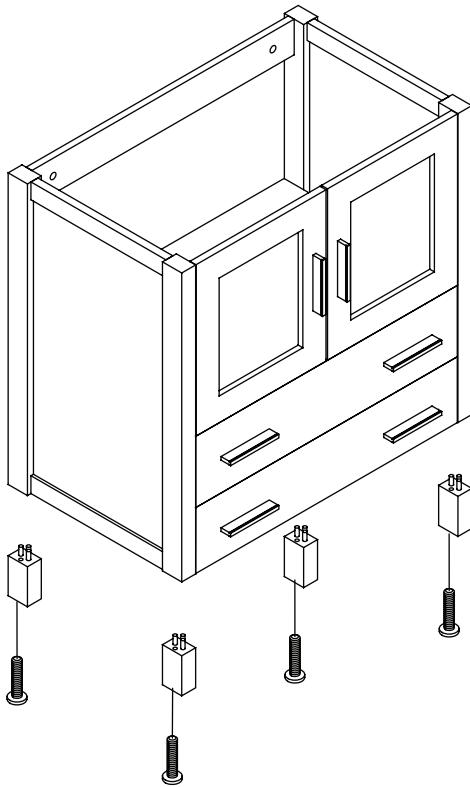


## INSTALLATION



**1**

Install leg



**FVN62-301230-UNS**

TORINO

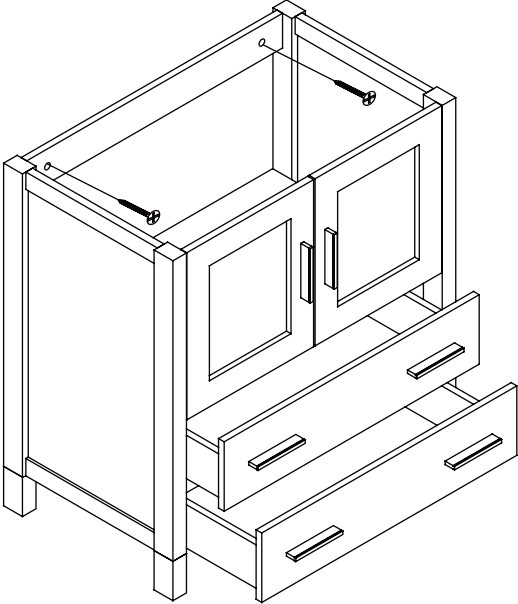
**INSTALLATION GUIDE**

PAGE 3

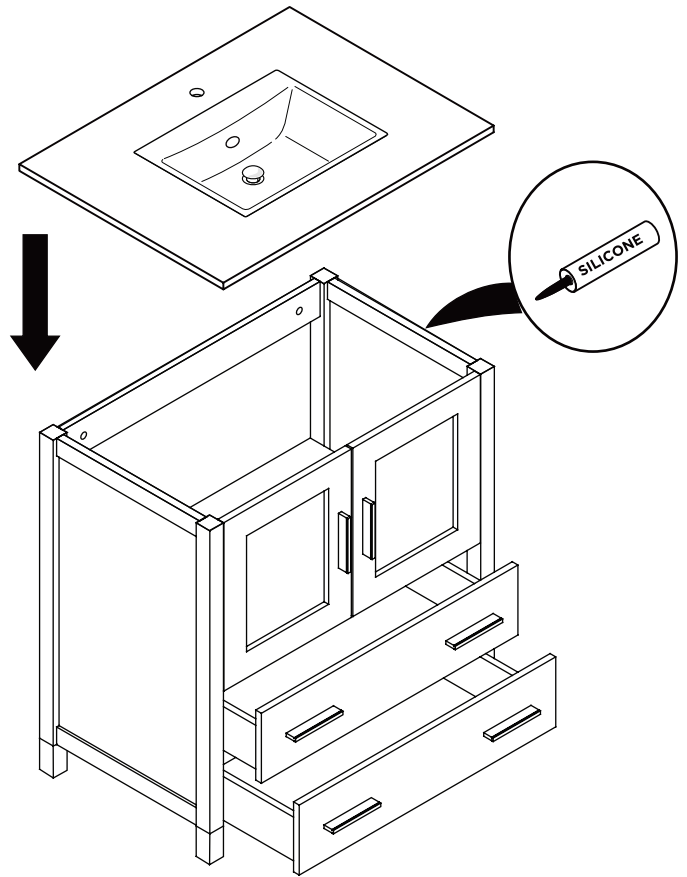
**2** Remove drawer

**3** Install cabinet

**IMPORTANT:** Consult an expert for the proper screws/bolts to use when attaching to various wall constructions. Screws provided do not attach to all wall construction types.

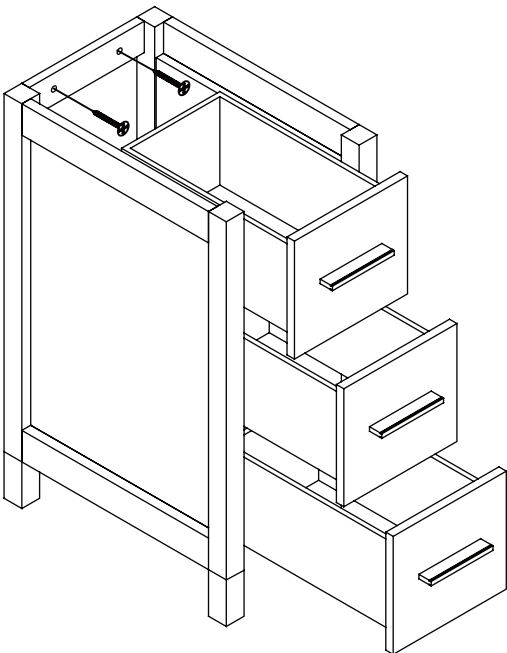


**4** Install top panel

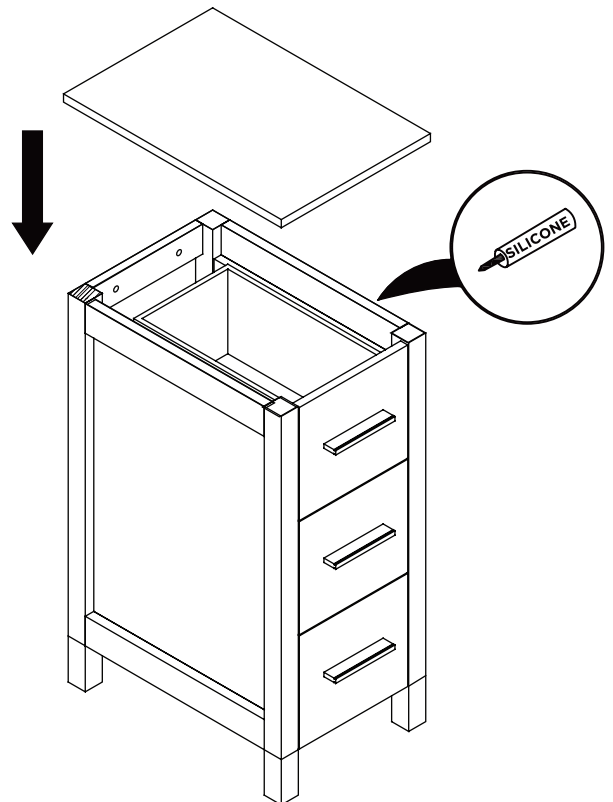


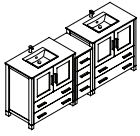
**5** Remove side cabinet drawer

**6** Install side cabinet

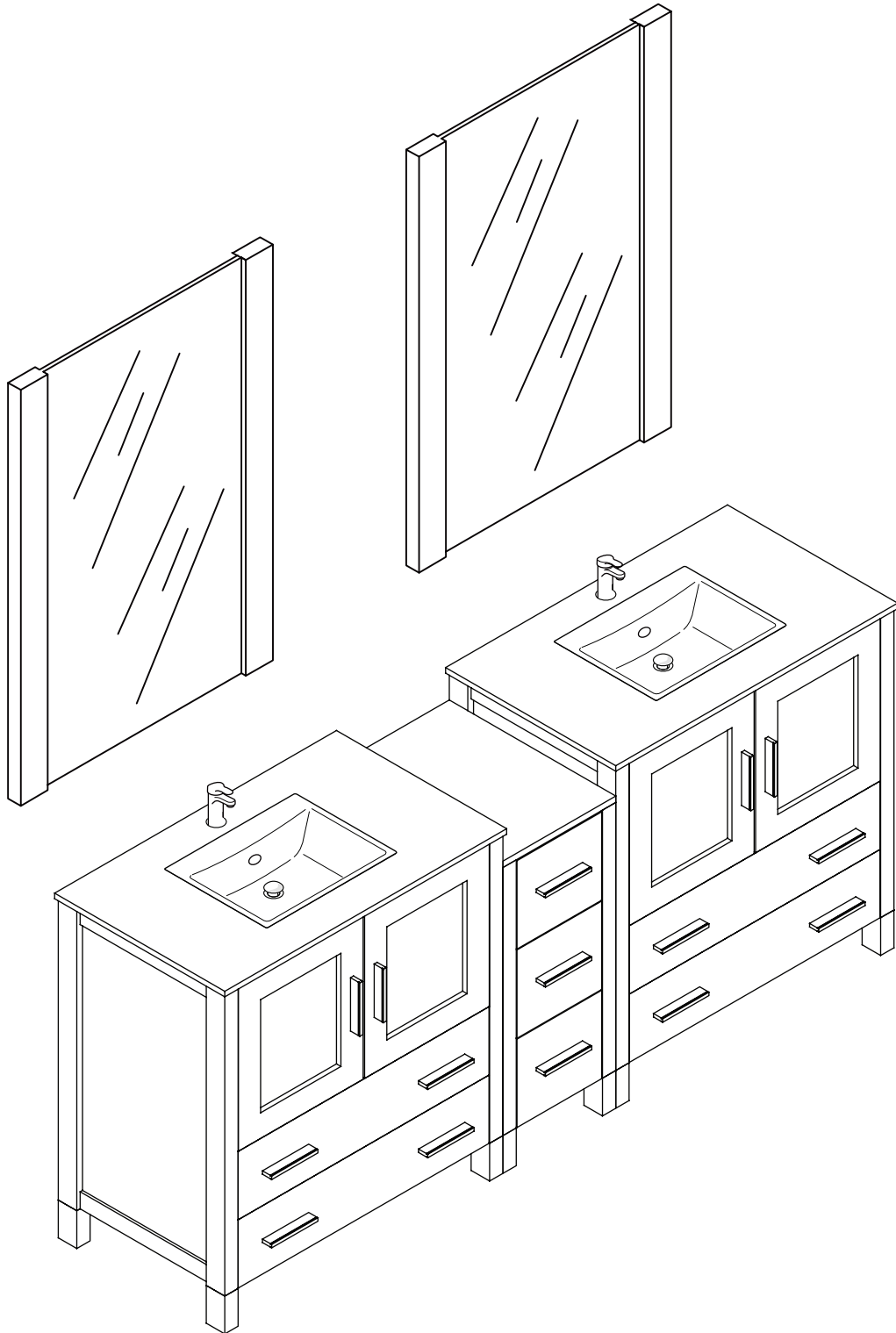


**7** Install side cabinet top panel





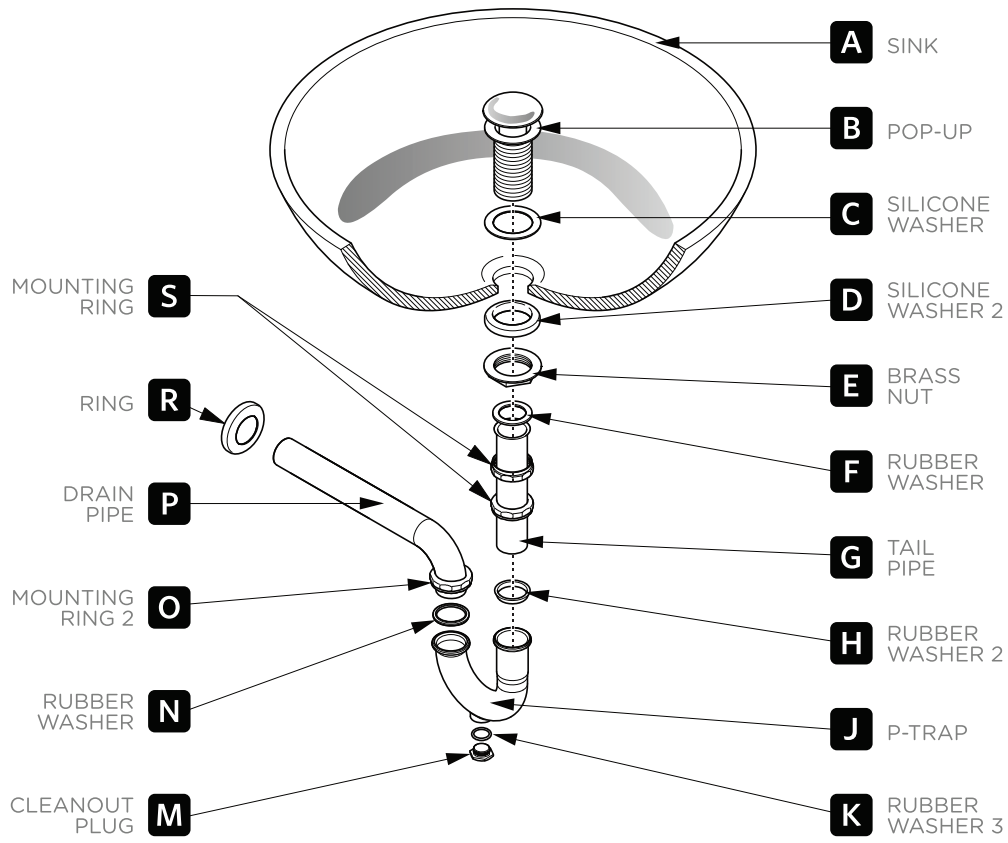
# FVN62-301230-UNS TORINO INSTALLATION GUIDE



# P-TRAP & POP-UP

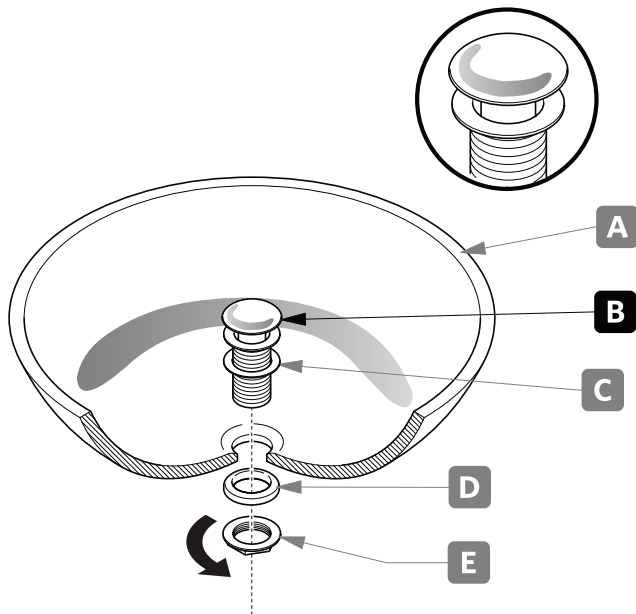
## INSTALLATION INSTRUCTIONS

Your item may appear slightly different from the illustration.



## POP-UP INSTALLATION

**FOR SINKS WITHOUT OVERFLOW**



OR

**FOR SINKS WITH OVERFLOW**

