



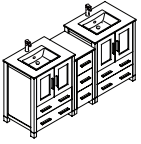
# **FVN62-241224-UNS**

# TORINO

## **INSTALLATION GUIDE**

### CONTENTS:

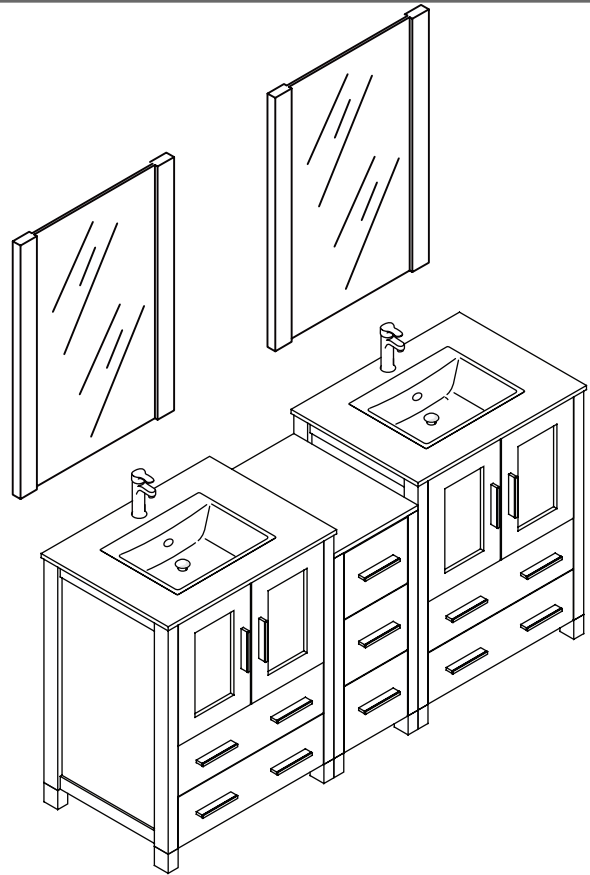
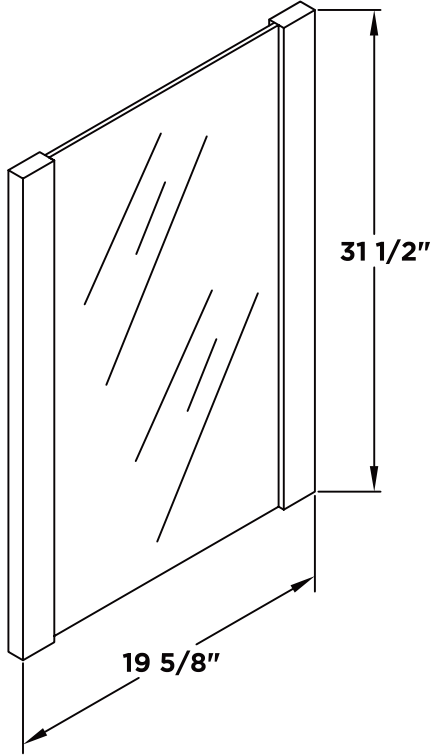
Cabinet .....	(FCB62-241224).....	PAGE <b>3</b>
Sink .....	(FVS6224).....	PAGE <b>4</b>
Mirror.....	(FMR6224).....	PAGE <b>2</b>



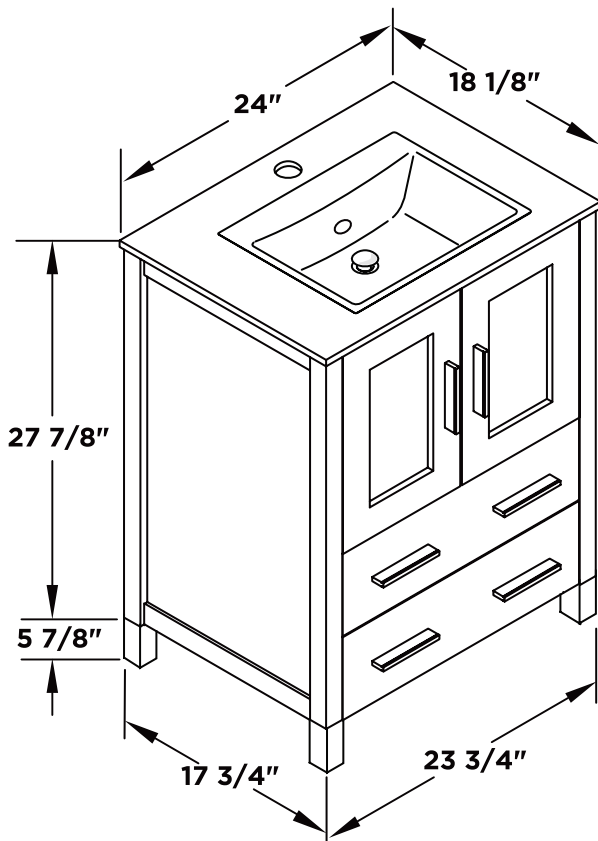
**FVN62-241224-UNS**  
**TORINO**  
**INSTALLATION GUIDE**



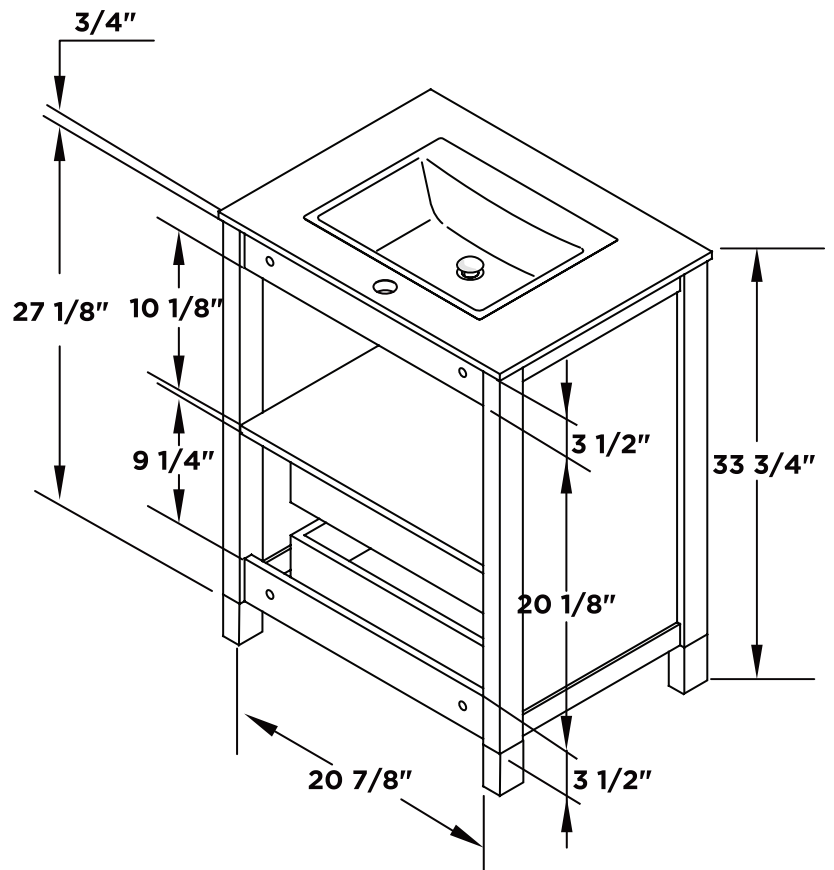
Mirror 2PCS



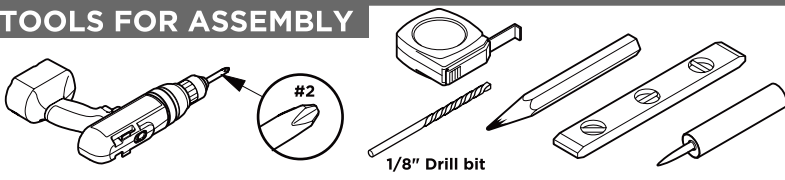
Vanity Front 2PCS



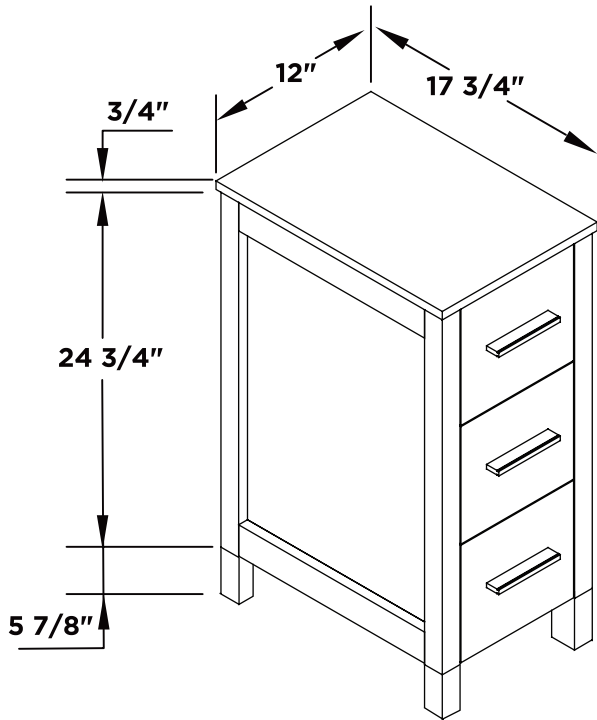
Vanity Back 2PCS



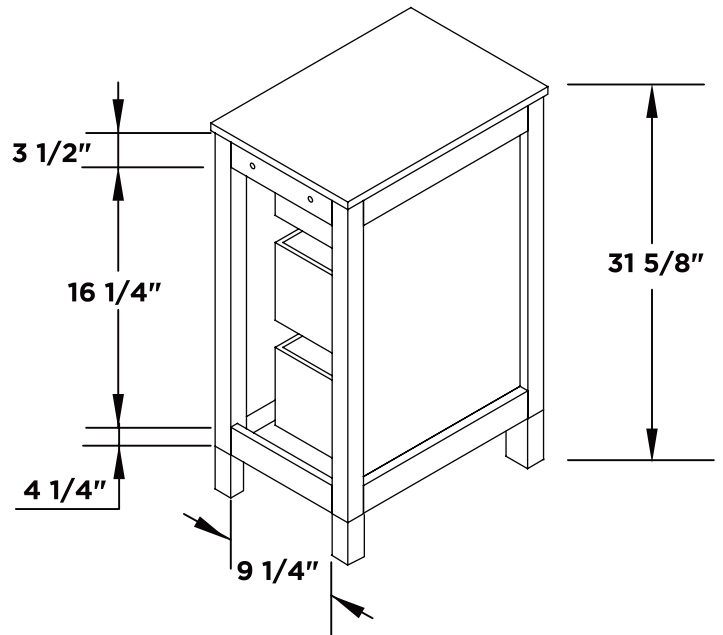
**TOOLS FOR ASSEMBLY**



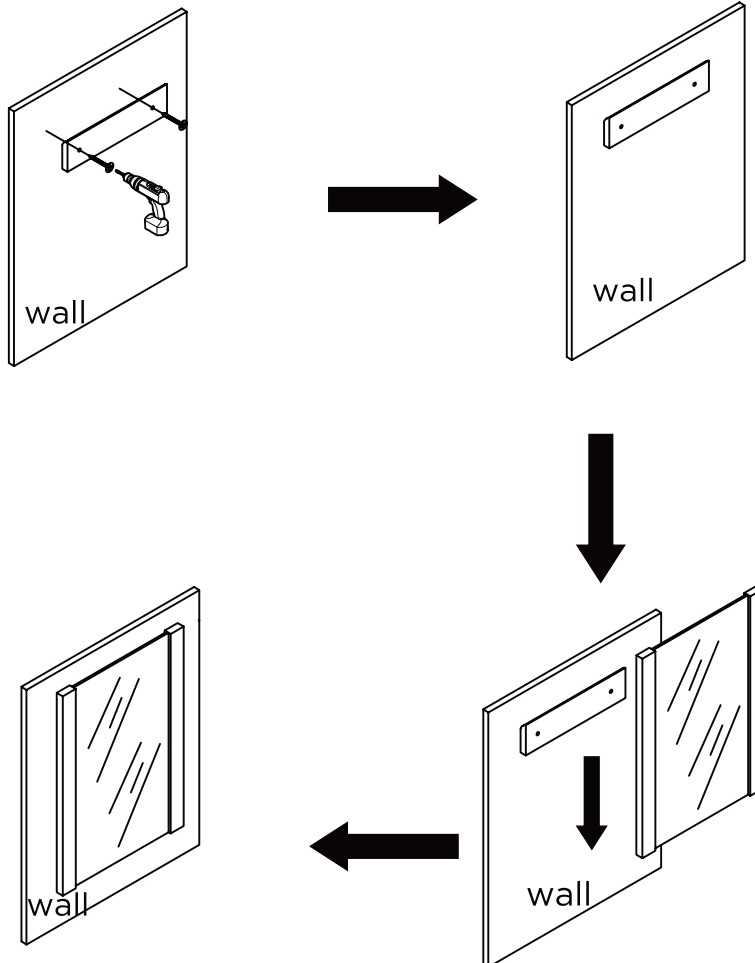
Side Cabinet Front



Side Cabinet Back

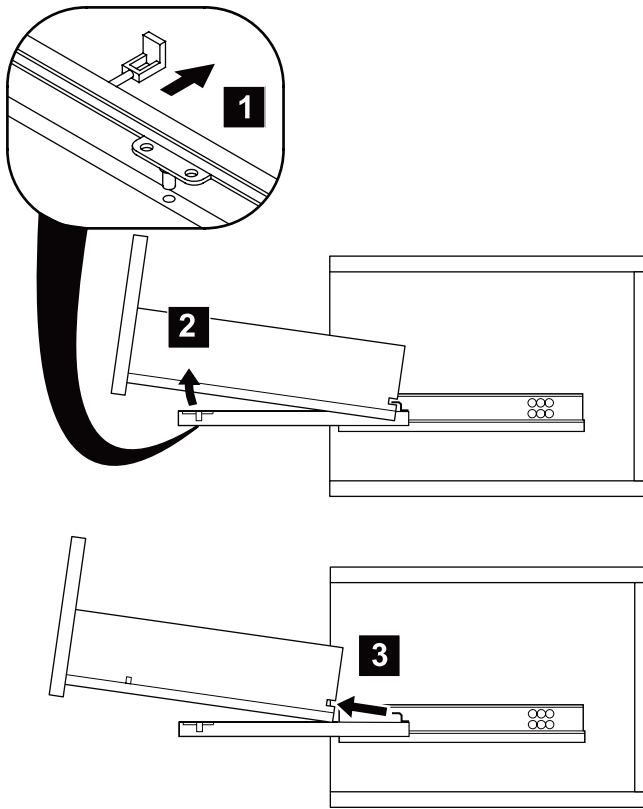


**MIRROR INSTALLATION**

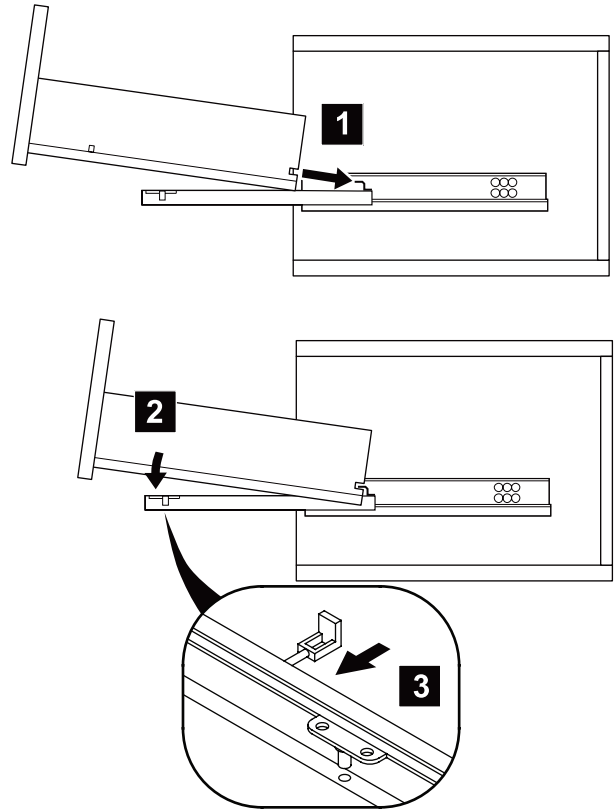


# DRAWER REMOVAL & INSTALLATION

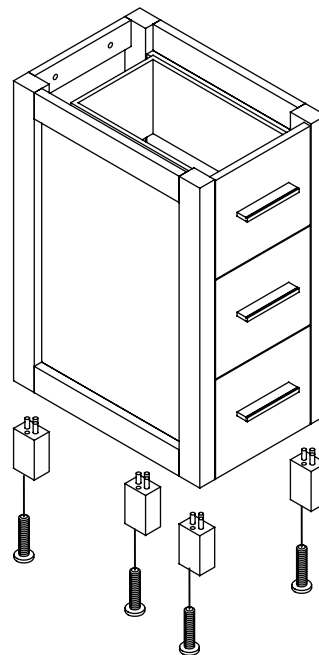
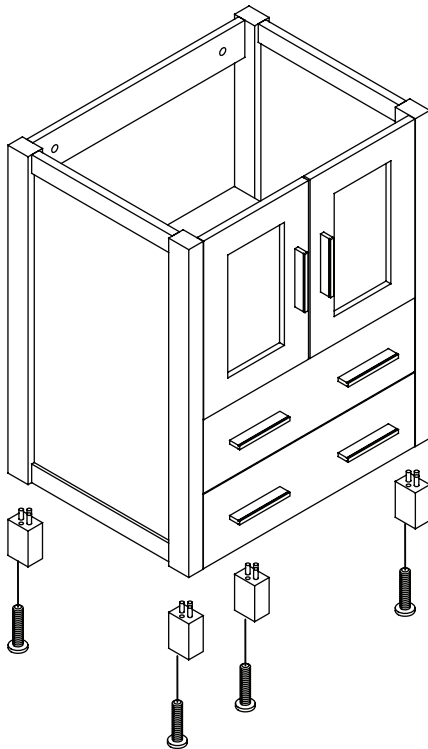
## REMOVAL



## INSTALLATION



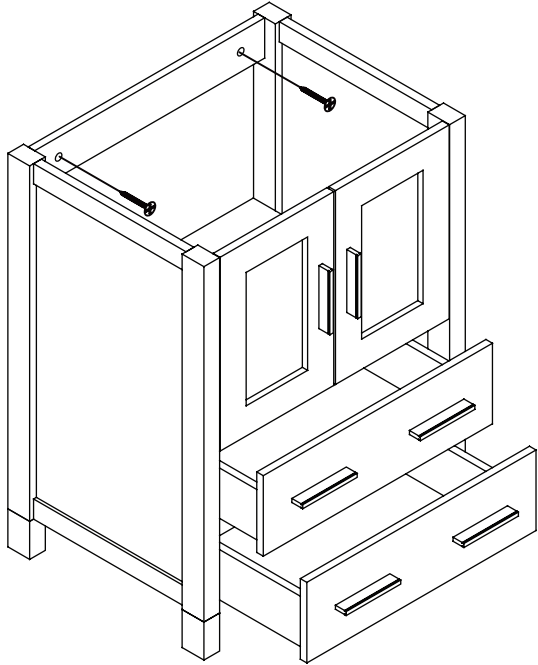
### 1 Install leg



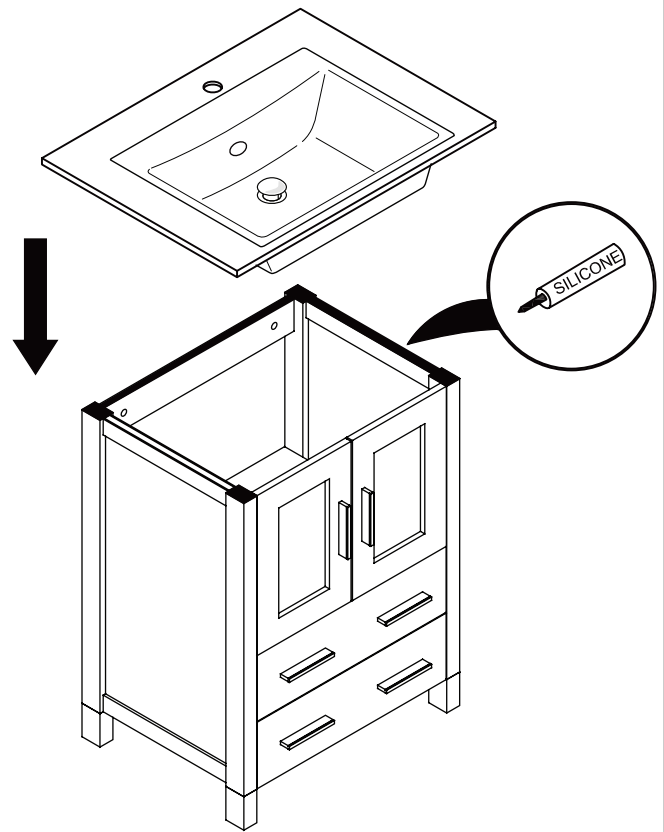
**2** Remove drawer

**3** Install cabinet

**IMPORTANT:** Consult an expert for the proper screws/bolts to use when attaching to various wall constructions. Screws provided do not attach to all wall construction types.

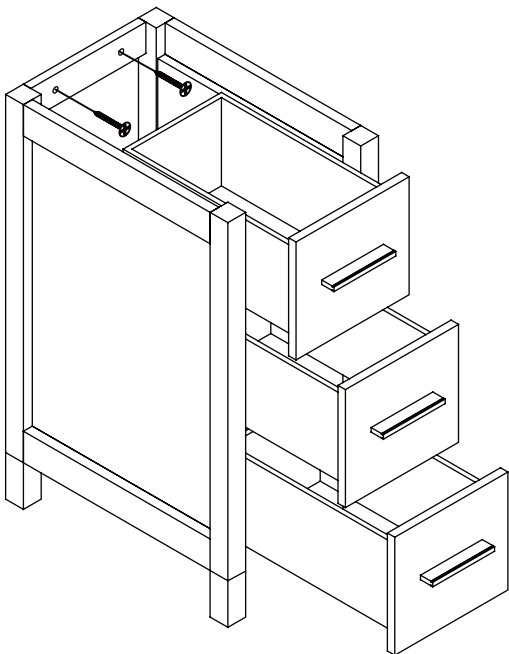


**4** Install top panel

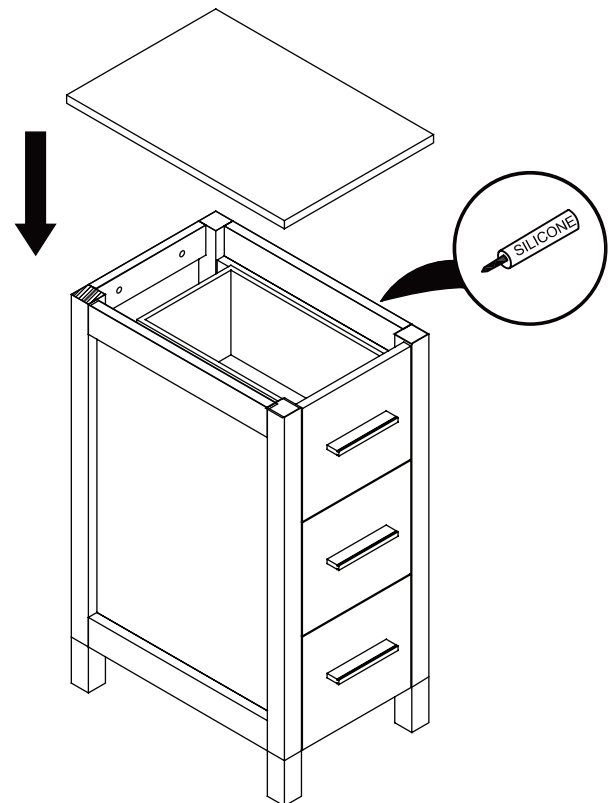


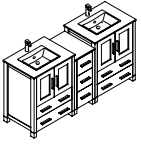
**5** Remove side cabinet drawer

**6** Install side cabinet

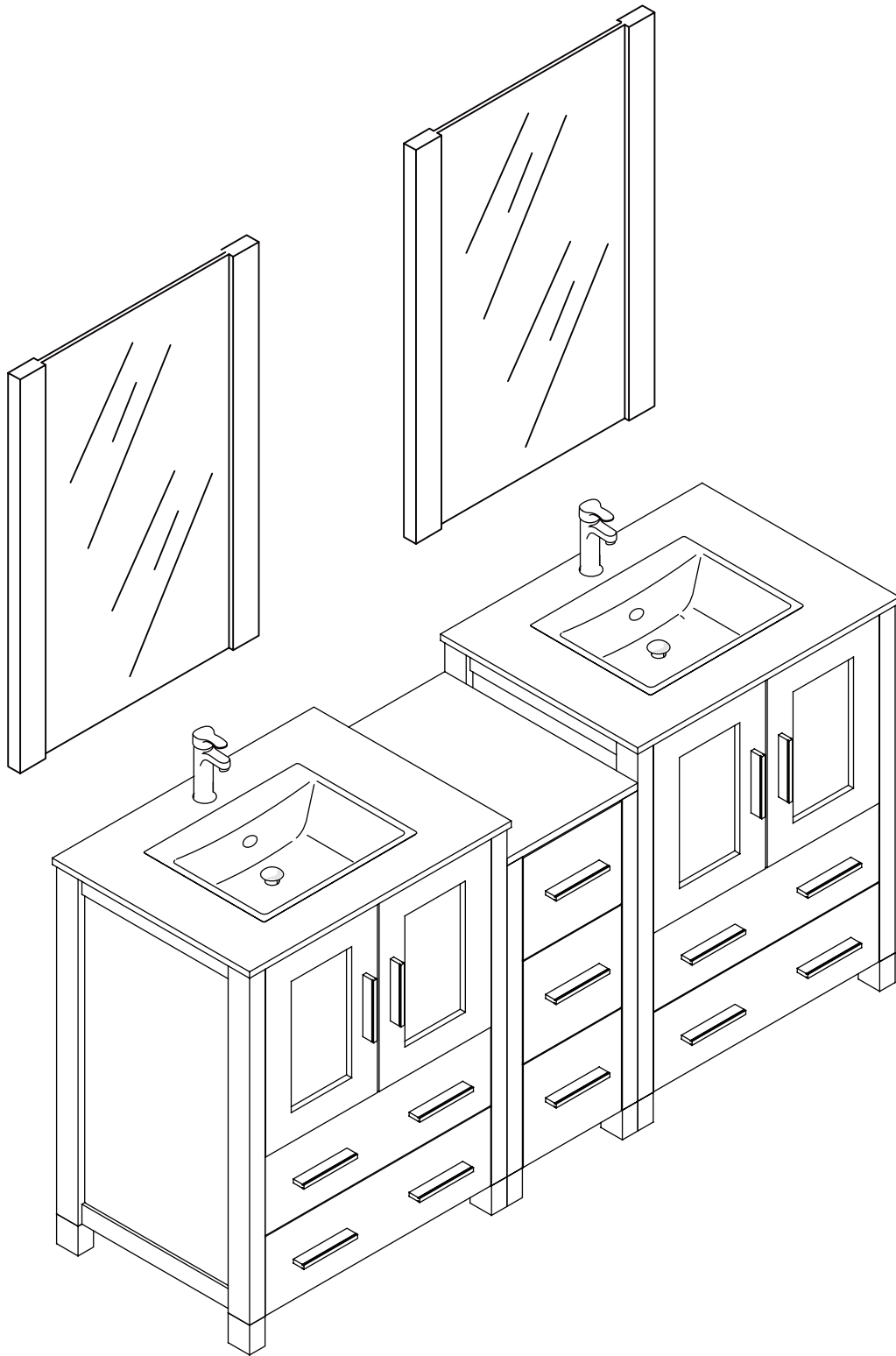


**7** Install side cabinet top panel





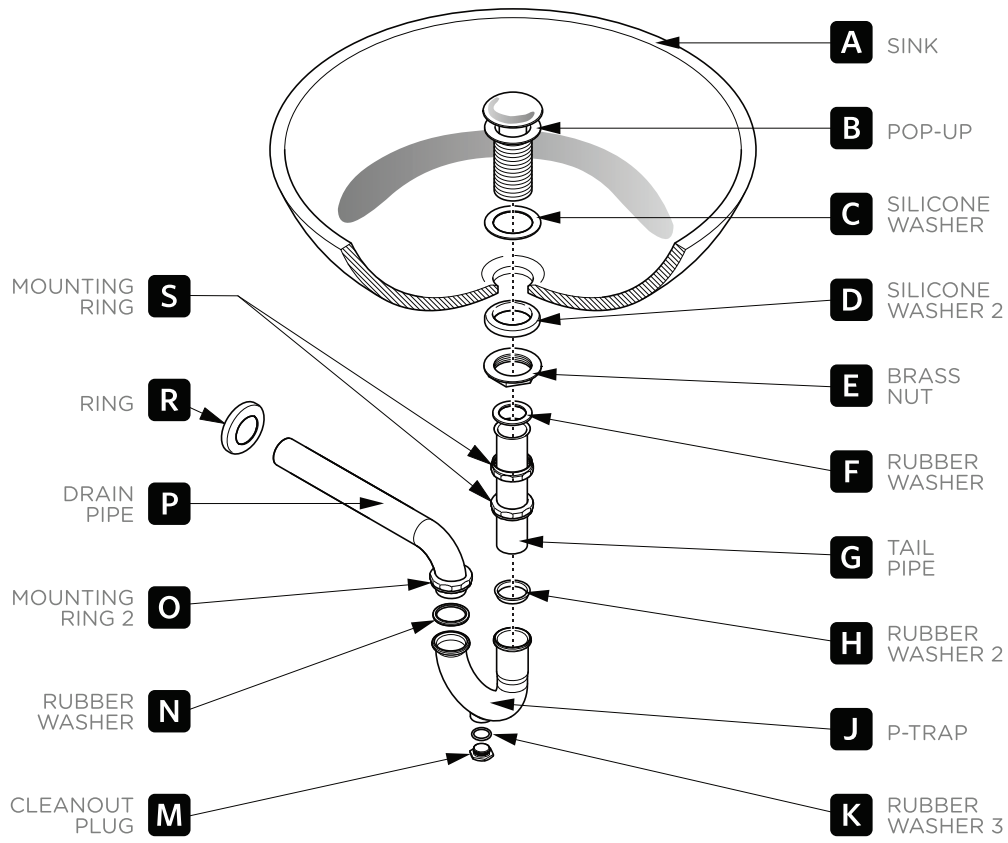
# FVN62-241224-UNS TORINO INSTALLATION GUIDE



# P-TRAP & POP-UP

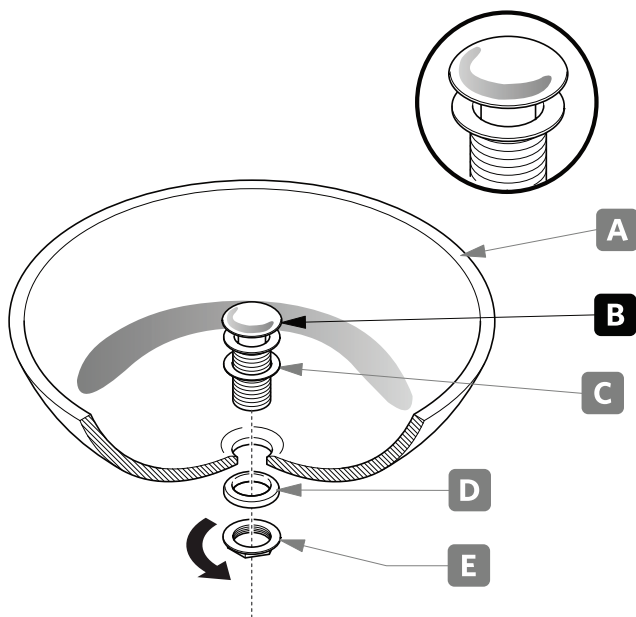
## INSTALLATION INSTRUCTIONS

Your item may appear slightly different from the illustration.



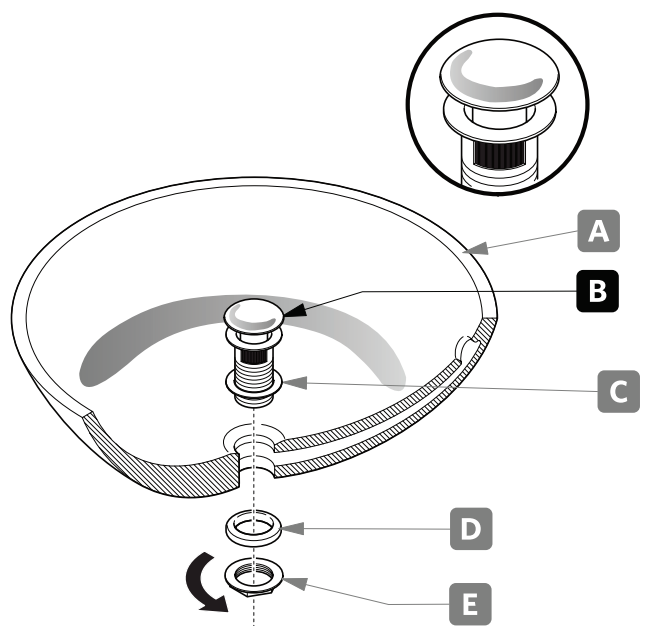
## POP-UP INSTALLATION

**FOR SINKS WITHOUT OVERFLOW**



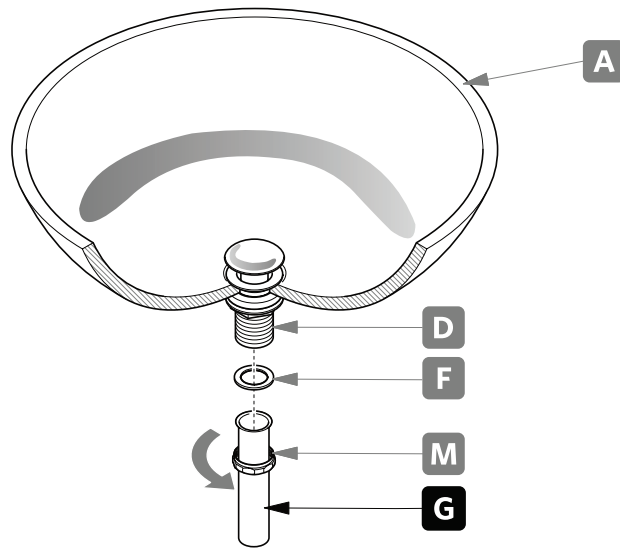
OR

**FOR SINKS WITH OVERFLOW**



# P-TRAP INSTALLATION

**1.** Install tail pipe (**G**).



**2.** Install P-trap (**J**).

