



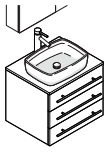
FVN6185

MODELLA

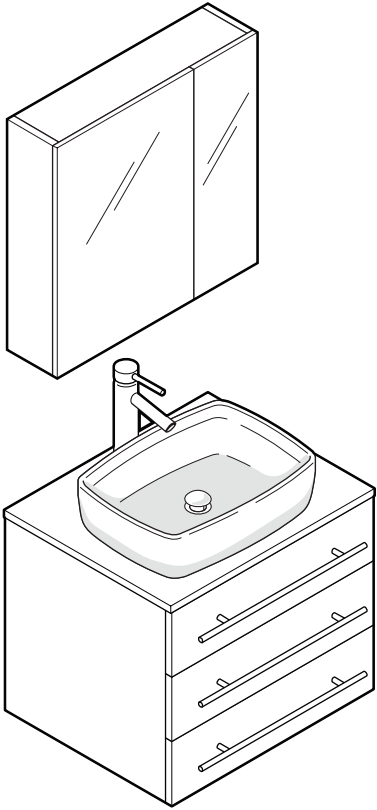
INSTALLATION GUIDE

CONTENTS:

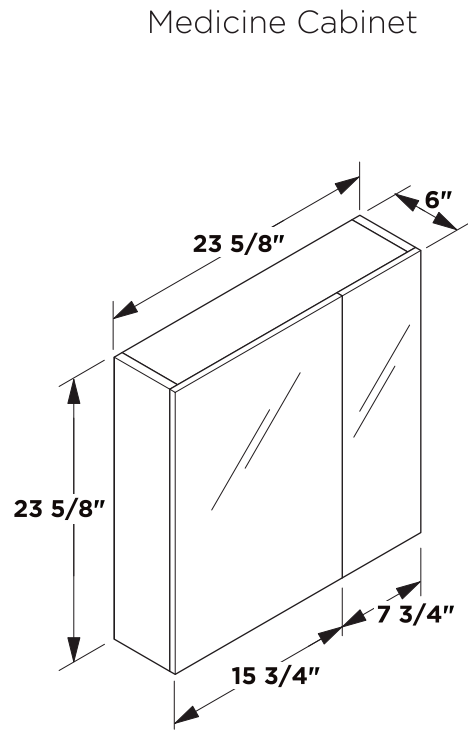
Cabinet	(FCB6185)	PAGE 2
Sink	(FVS6185)	PAGE 2
Countertop	(FCT6185)	PAGE 2
Medicine Cabinet	(FMC6185)	PAGE 3



FVN6185 MODELLA INSTALLATION GUIDE

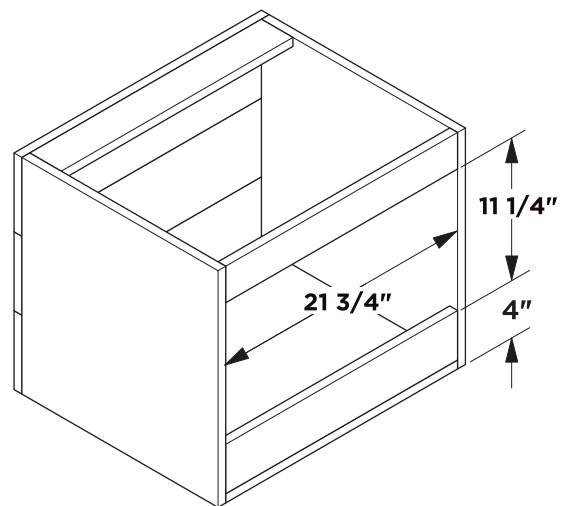
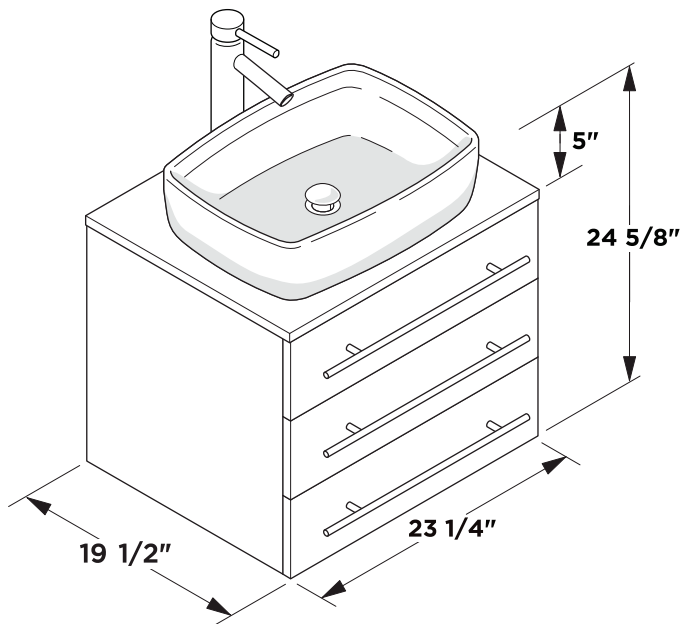


Vanity Front



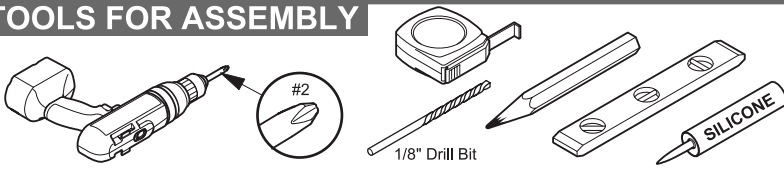
Medicine Cabinet

Vanity Back

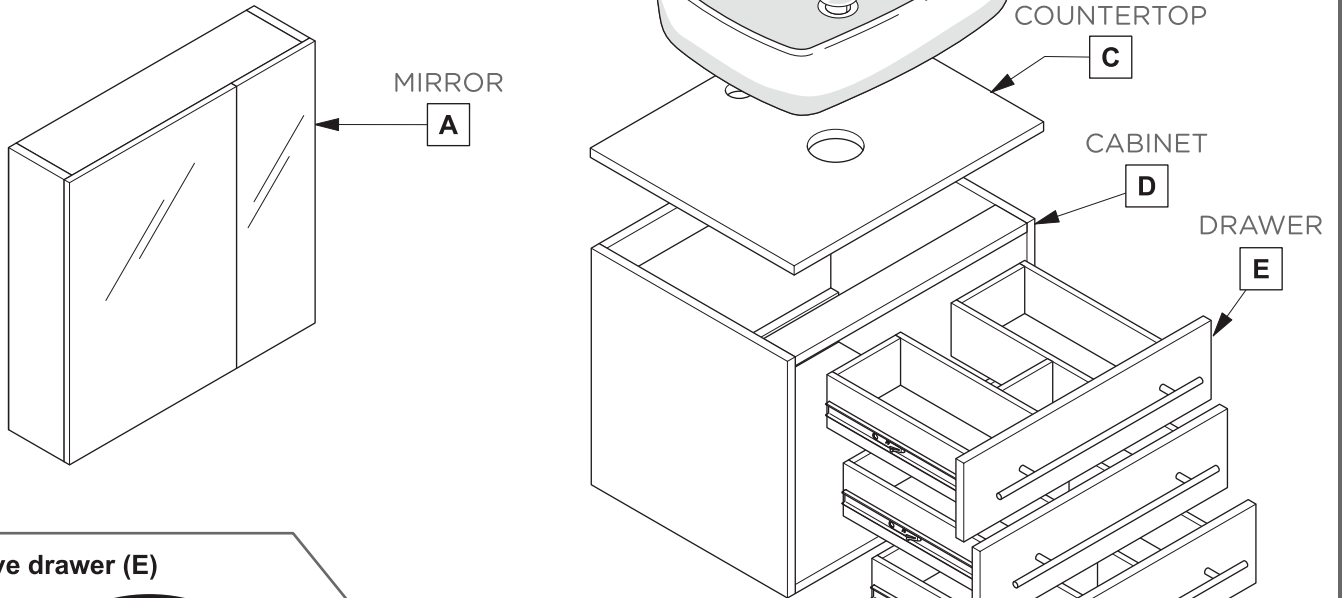


NOTE: ALL DIMENSIONS & SPECIFICATIONS ARE APPROXIMATE AND SUBJECT TO CHANGE WITHOUT NOTICE.

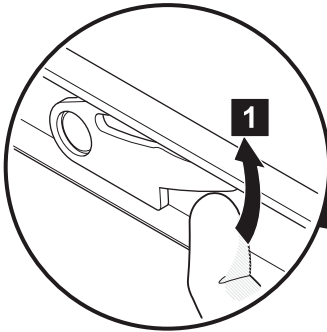
TOOLS FOR ASSEMBLY



PARTS



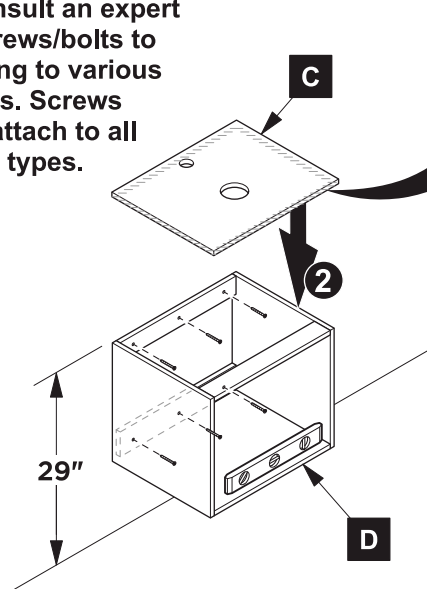
1 Remove drawer (E)



2 Install cabinet (D)

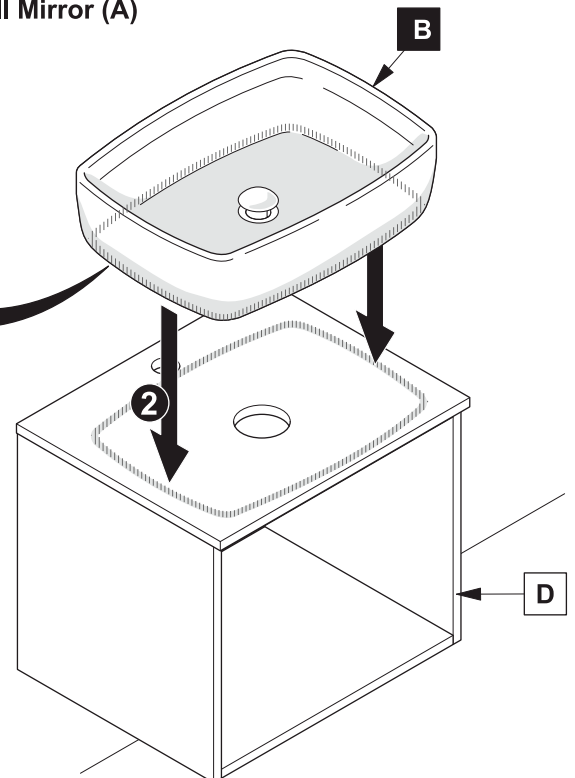
3 Apply silicone and install countertop (C)

IMPORTANT: Consult an expert for the proper screws/bolts to use when attaching to various wall constructions. Screws provided do not attach to all wall construction types.

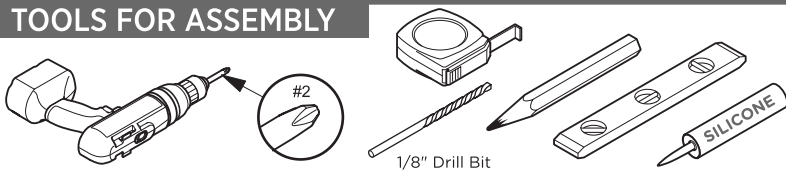


4 Apply silicone and install sink (B)

5 Install Mirror (A)

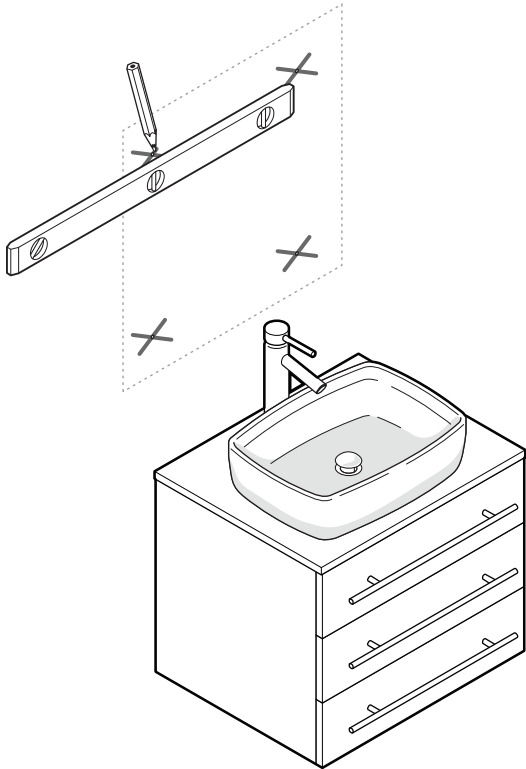


TOOLS FOR ASSEMBLY



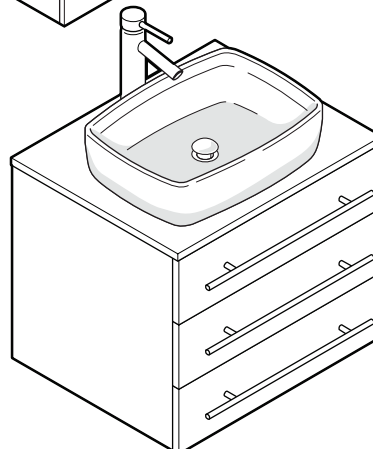
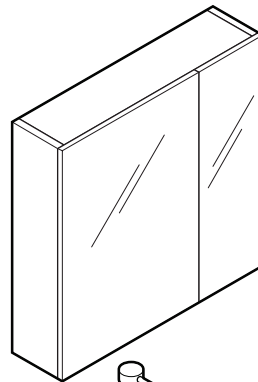
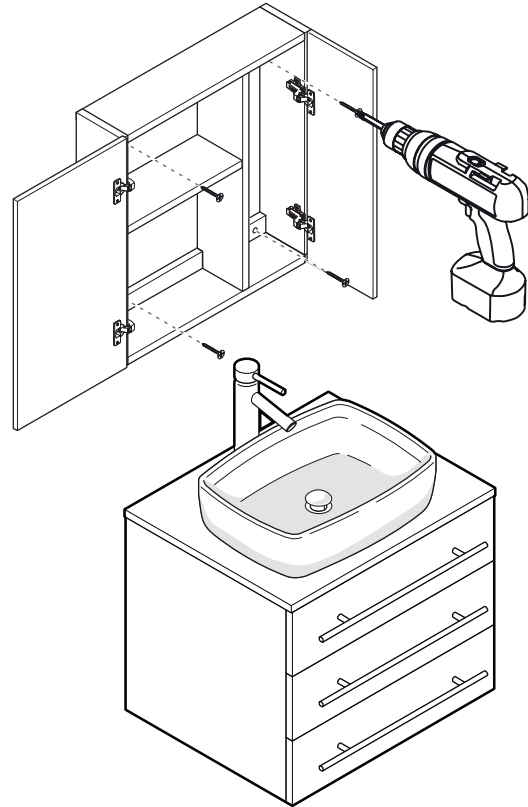
MIRRORED CABINET INSTALLATION

- 1** Mark the wall using a level for the mounting position.



NOTE: Consult an expert for the proper screws & bolts to use when attaching to various constructions. Screws provided *do not* attach to all wall construction types.

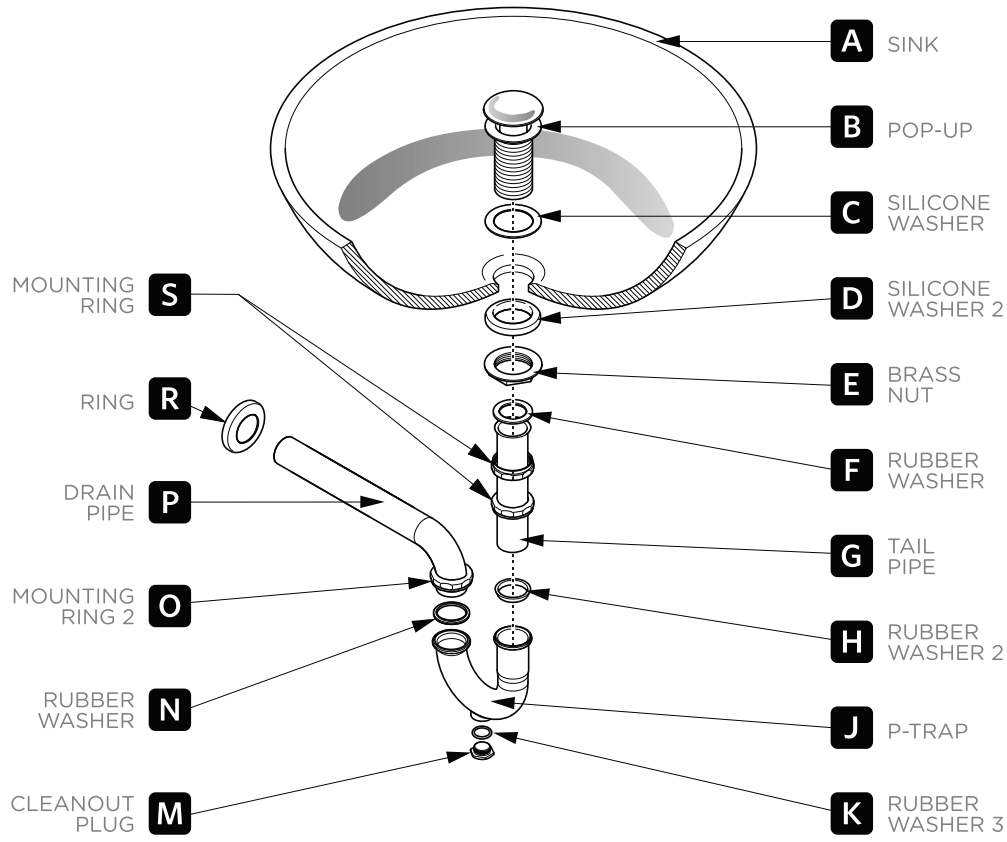
- 2** Place then attach cabinet to the wall with the screws using a drill.



FVN6185
MODELLA
INSTALLATION GUIDE

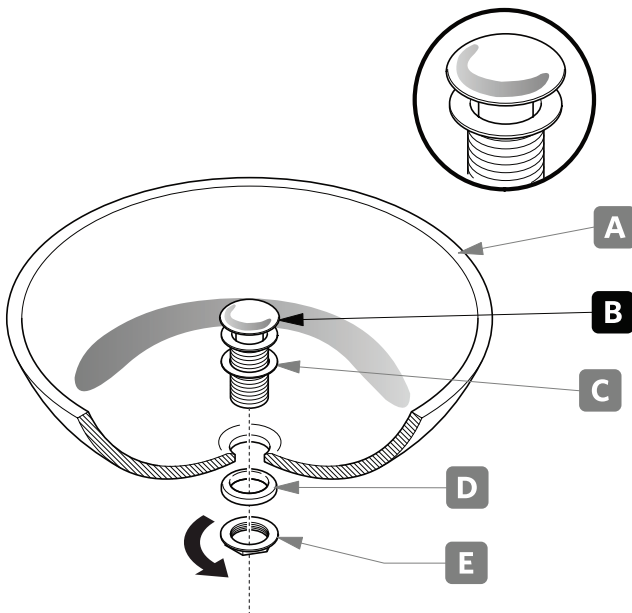
P-TRAP & POP-UP INSTALLATION INSTRUCTIONS

Your item may appear slightly different from the illustration.



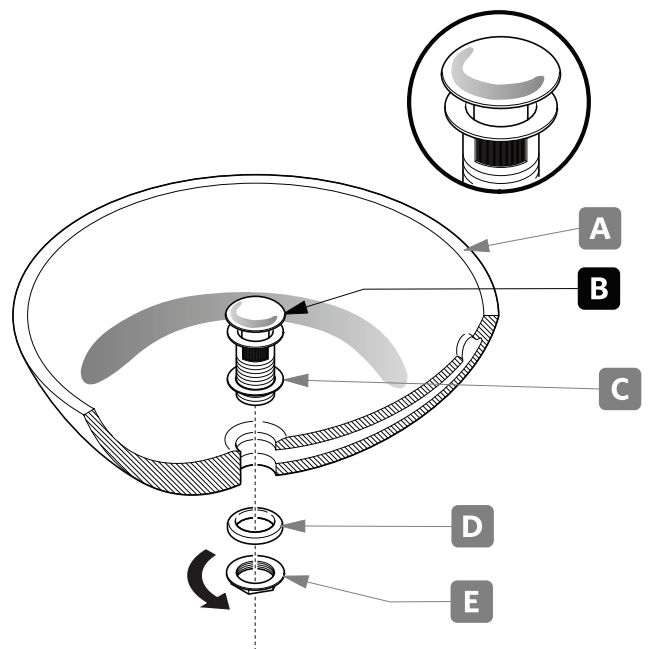
POP-UP INSTALLATION

**FOR SINKS
WITHOUT OVERFLOW**



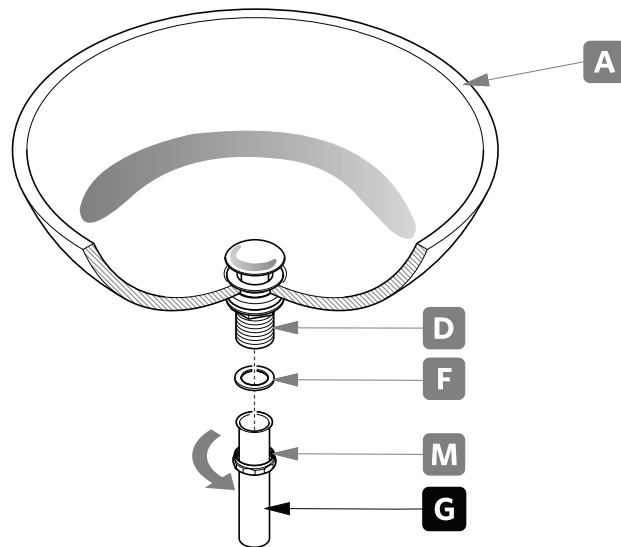
OR

**FOR SINKS
WITH OVERFLOW**



P-TRAP INSTALLATION

1. Install tail pipe **(G)**.



2. Install P-trap **(J)**.

