



FVN1060

ATTRAZIONE

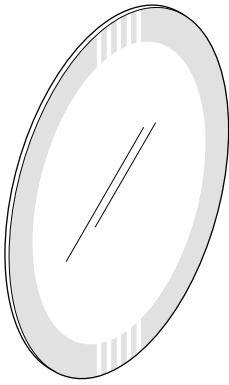
INSTALLATION GUIDE

CONTENTS:

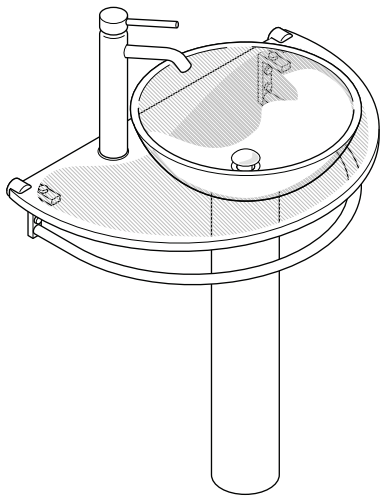
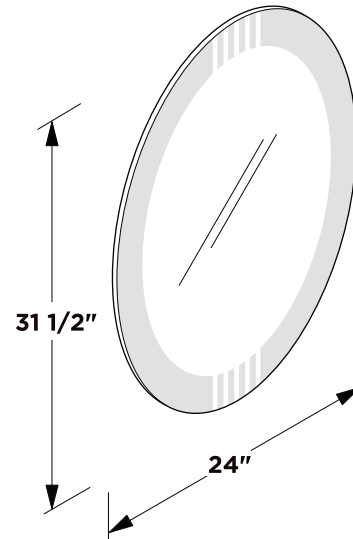
Combo Unit.....(CMB1060).....	PAGE 2
Mirror.....(FMR1060).....	PAGE 2



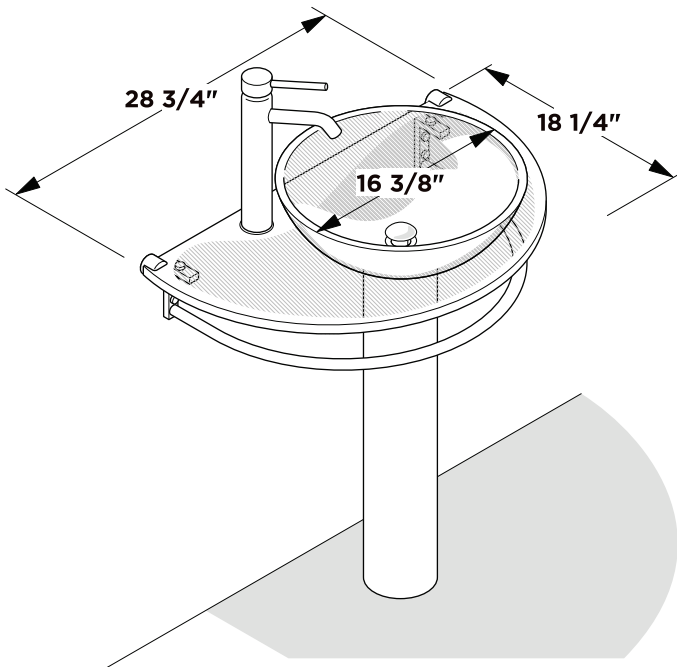
FVN1060 ATTRAZIONE INSTALLATION GUIDE



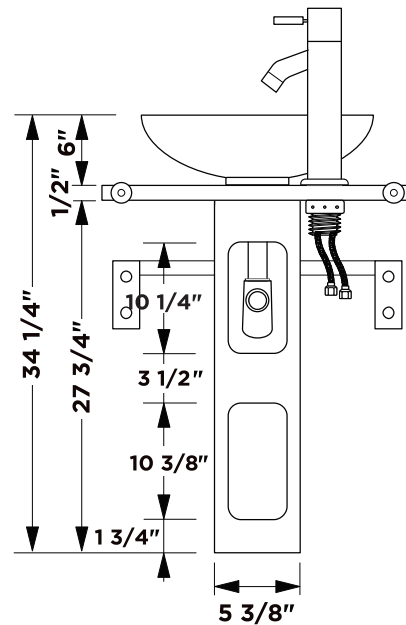
Mirror



Vanity Front

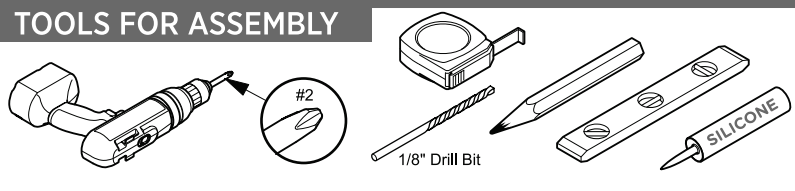


Vanity Back

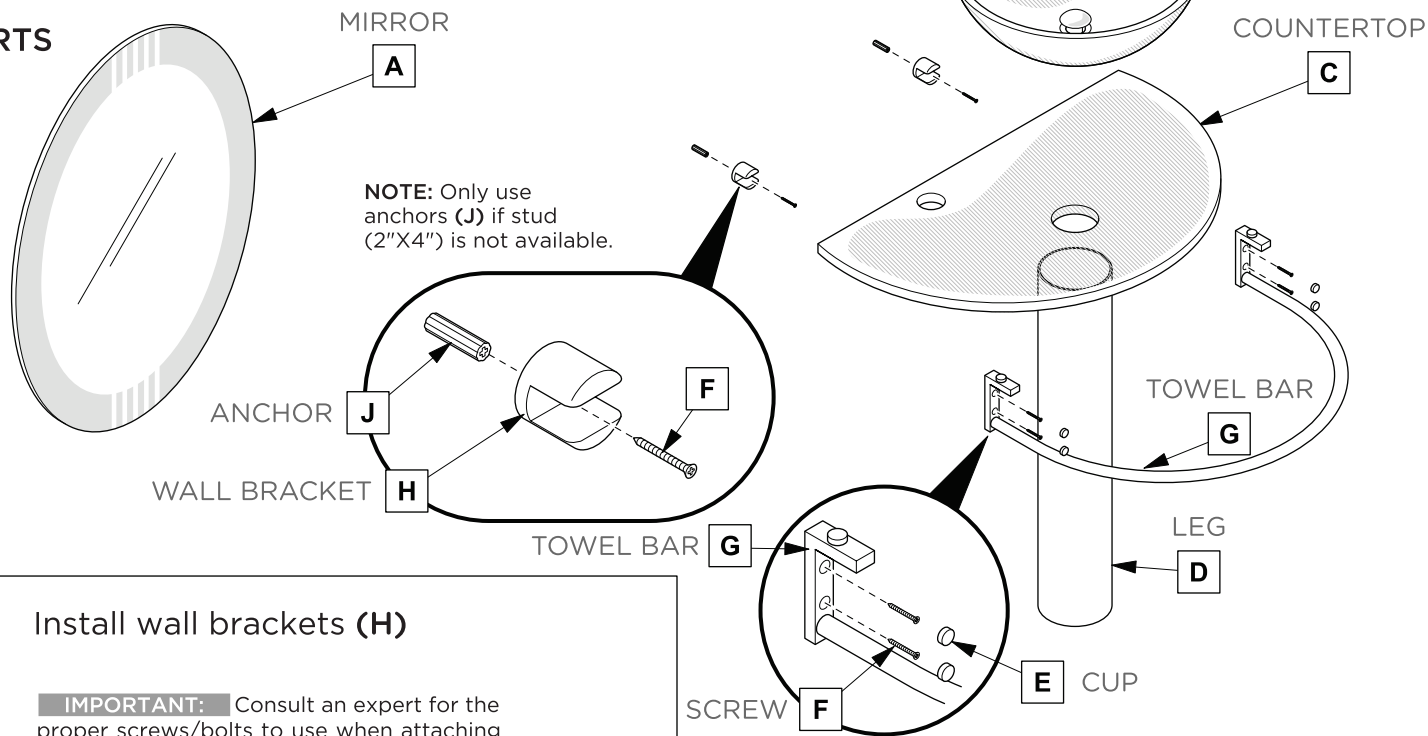


NOTE: ALL DIMENSIONS & SPECIFICATIONS ARE APPROXIMATE AND SUBJECT TO CHANGE WITHOUT NOTICE.

TOOLS FOR ASSEMBLY



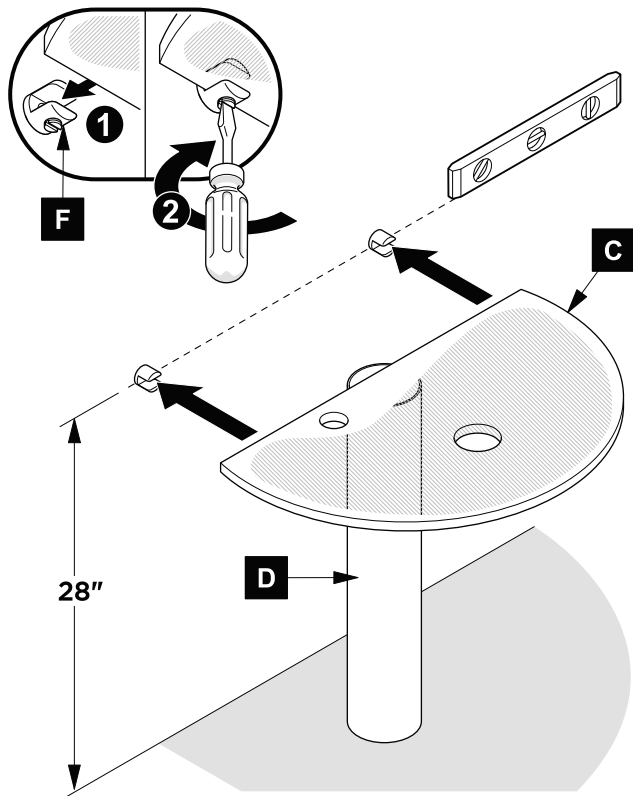
PARTS



1 Install wall brackets (H)

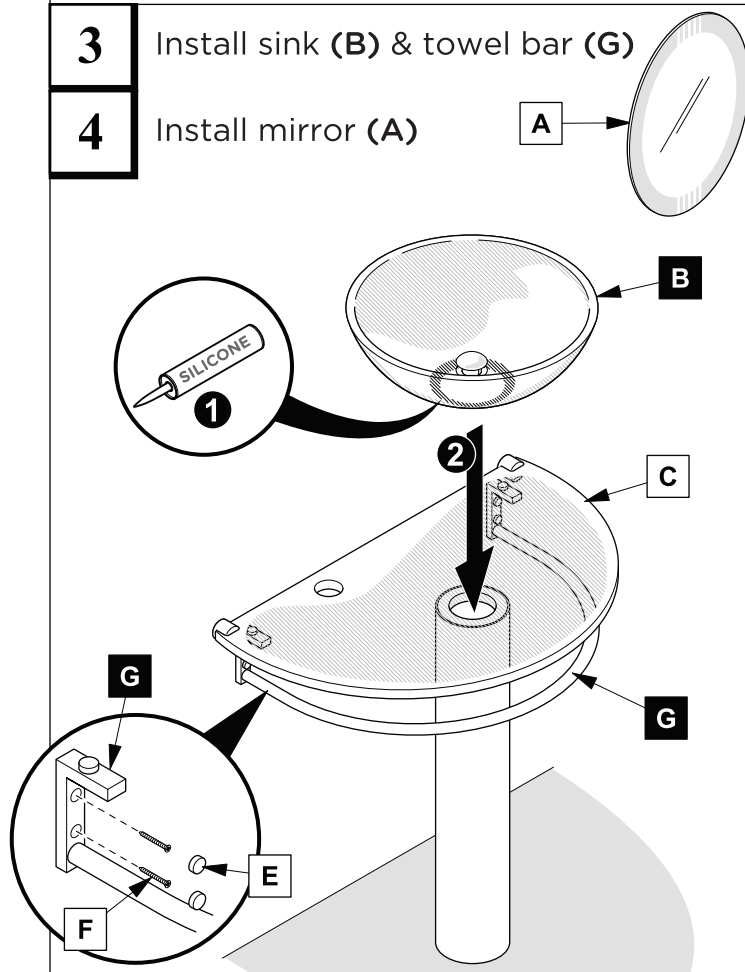
IMPORTANT: Consult an expert for the proper screws/bolts to use when attaching to various constructions. Screws provided do not attach to all wall construction types.

2 Locate leg (D) and install countertop (C)



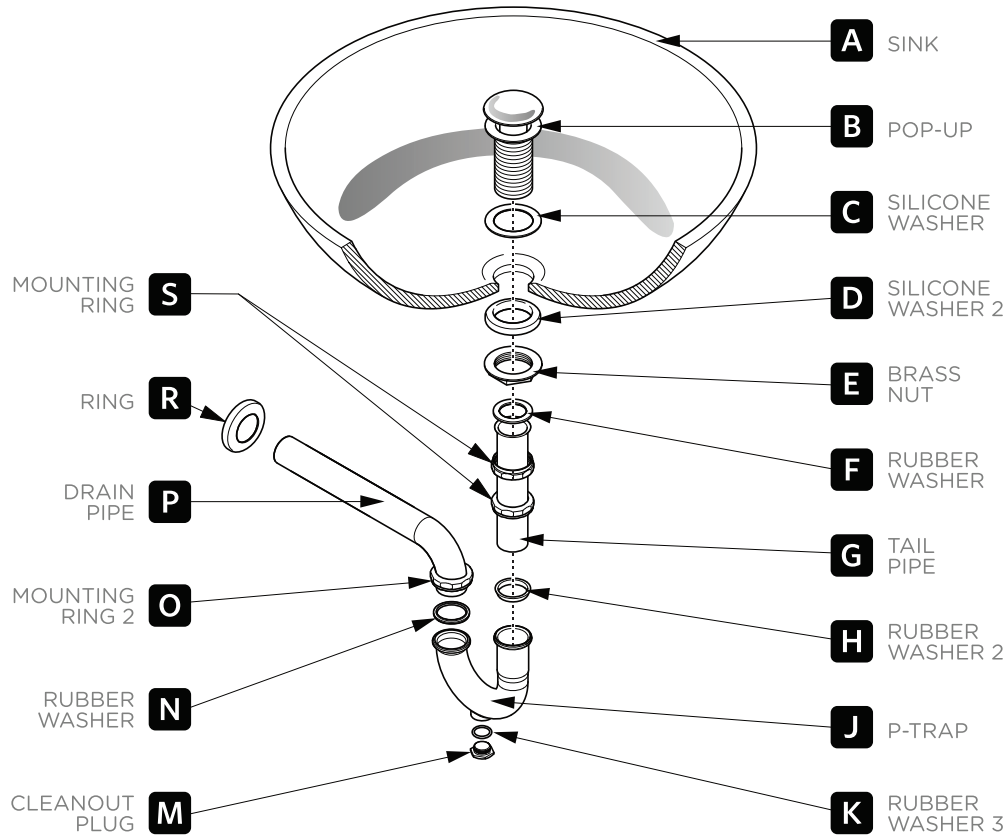
3 Install sink (B) & towel bar (G)

4 Install mirror (A)



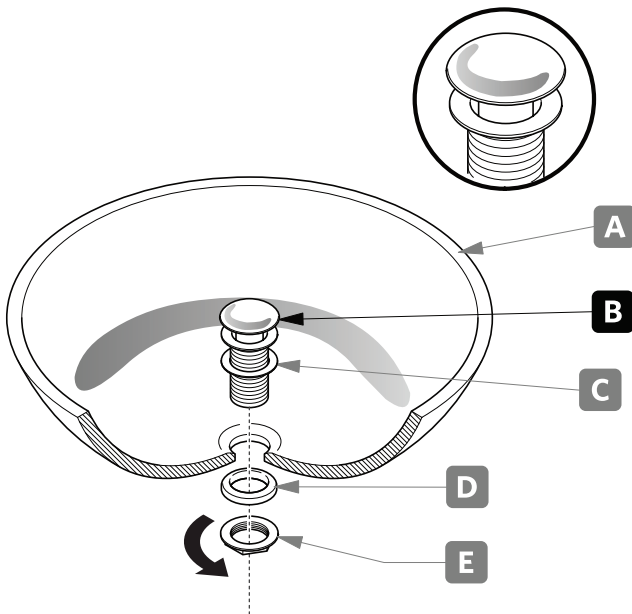
P-TRAP & POP-UP INSTALLATION INSTRUCTIONS

Your item may appear slightly different from the illustration.



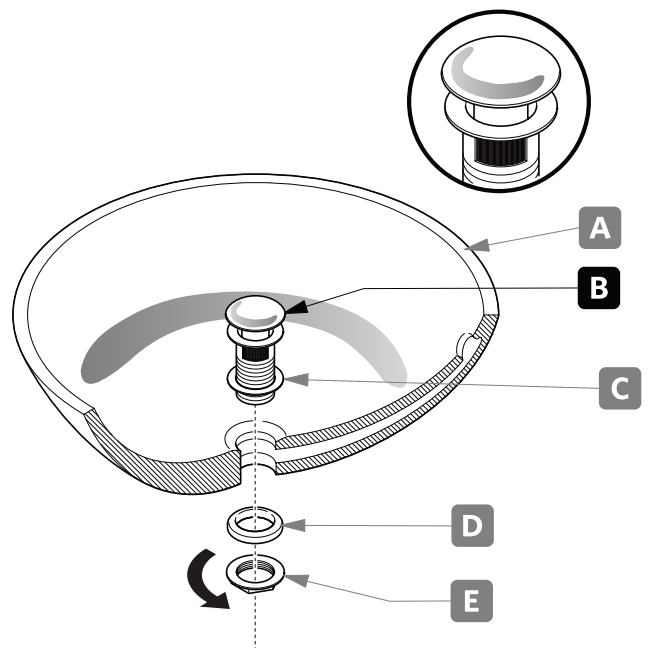
POP-UP INSTALLATION

**FOR SINKS
WITHOUT OVERFLOW**



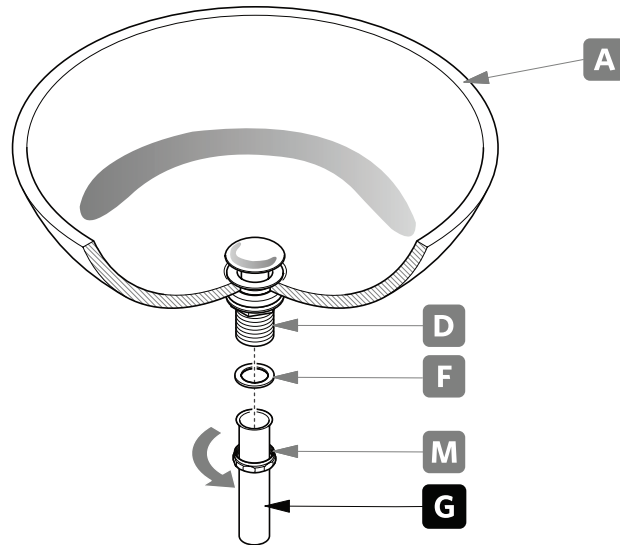
OR

**FOR SINKS
WITH OVERFLOW**



P-TRAP INSTALLATION

1. Install tail pipe (G).



2. Install P-trap (J).

