



**FVN1019**

**OVALE**

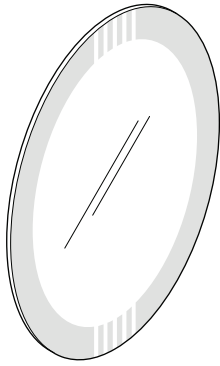
**INSTALLATION GUIDE**

**CONTENTS:**

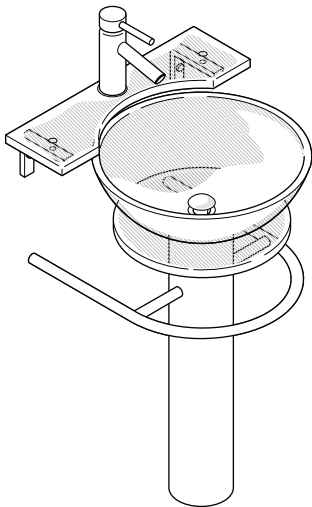
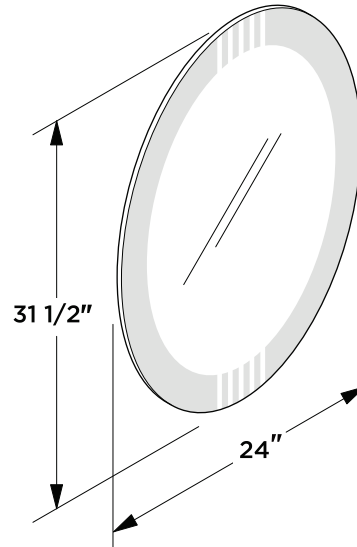
Combo Unit.....(CMB1019) .....	PAGE <b>2</b>
Mirror.....(FMR1019) .....	PAGE <b>3</b>



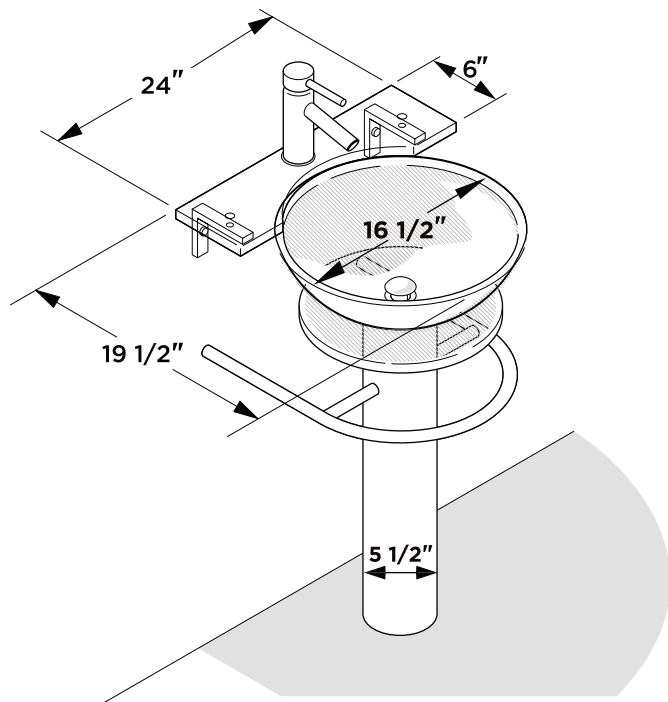
# FVN1019 OVALE INSTALLATION GUIDE



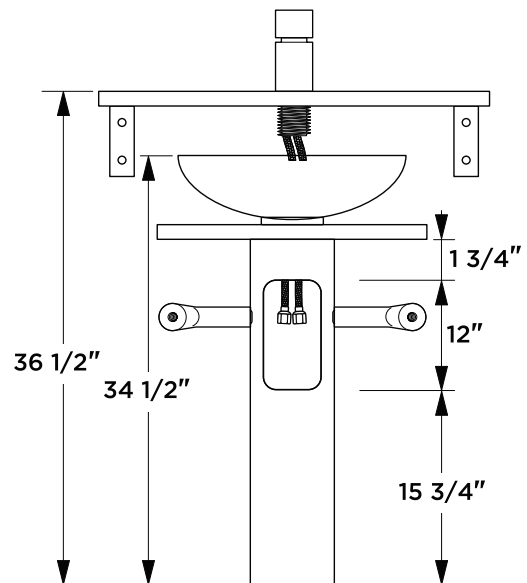
Mirror



Vanity Front

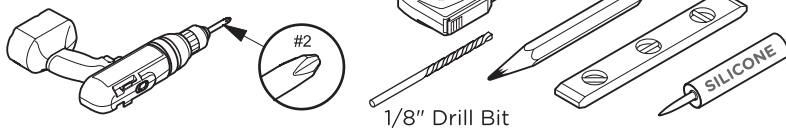


Vanity Back

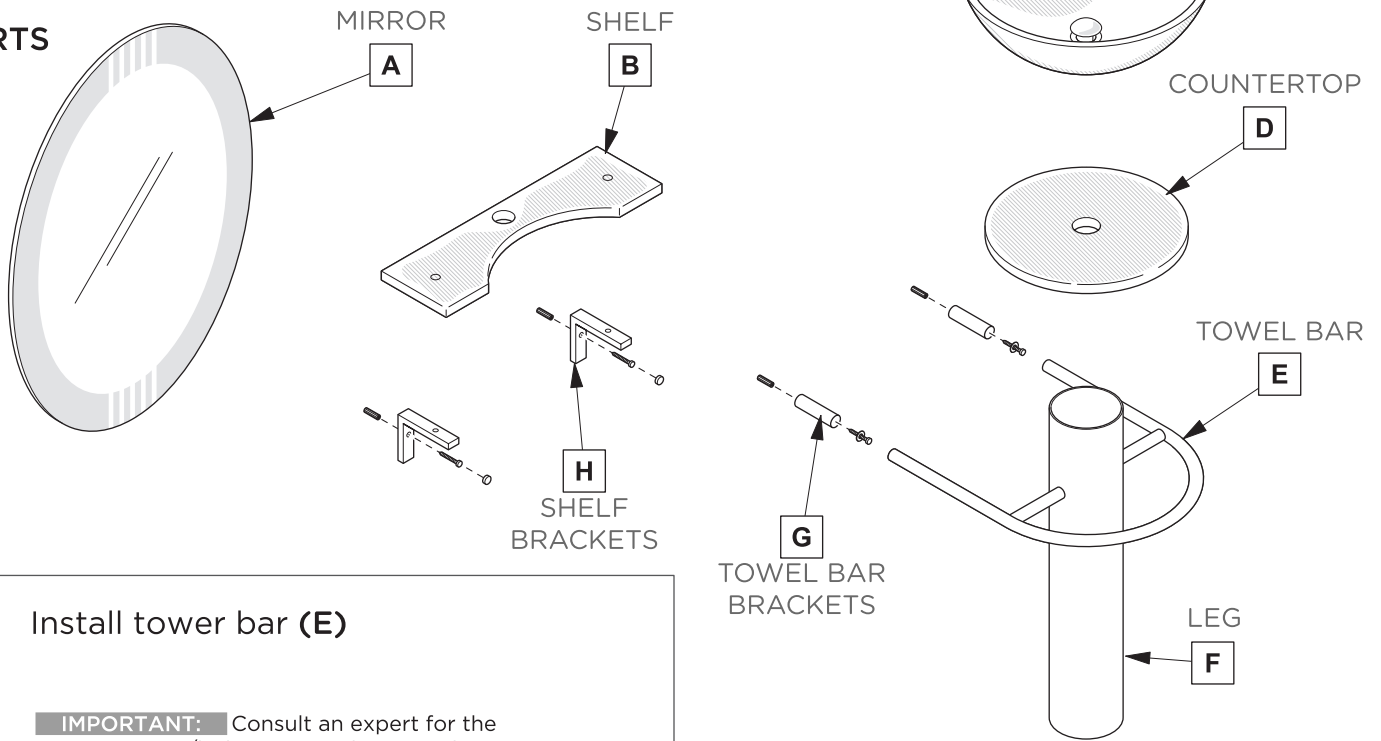


**NOTE:** ALL DIMENSIONS & SPECIFICATIONS ARE APPROXIMATE AND SUBJECT TO CHANGE WITHOUT NOTICE.

**TOOLS FOR ASSEMBLY**

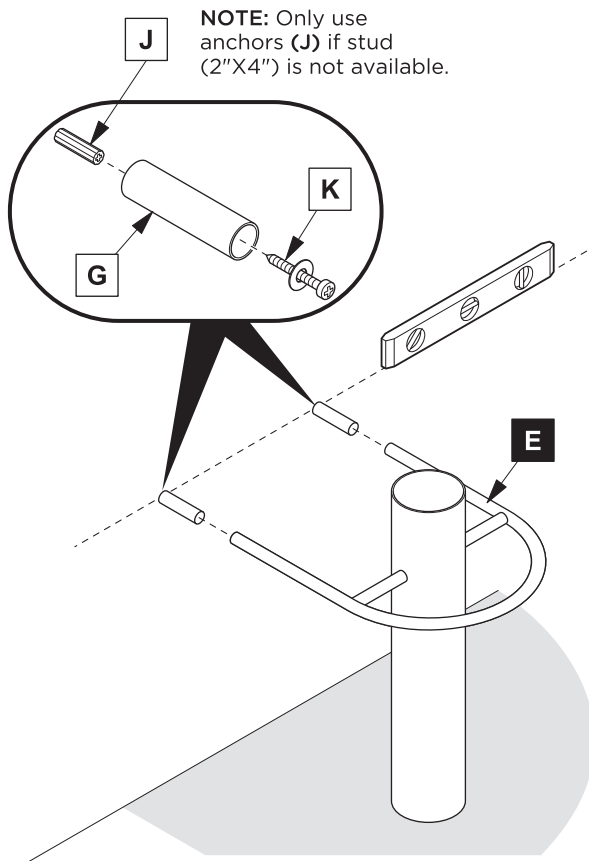


**PARTS**

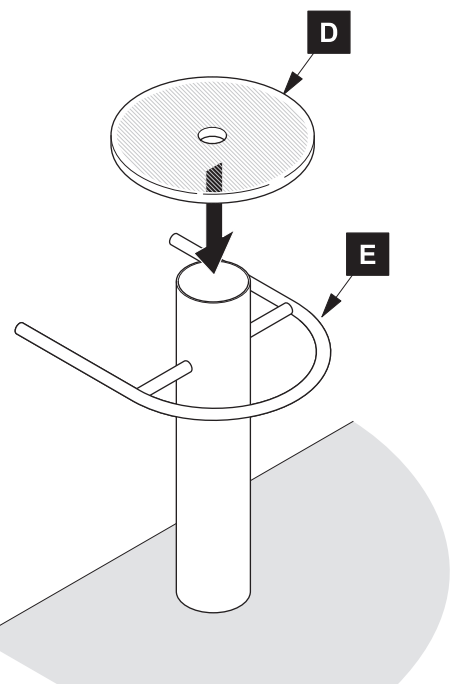


**1** Install tower bar (E)

**IMPORTANT:** Consult an expert for the proper screws/bolts to use when attaching to various constructions. Screws provided do not attach to all wall construction types.

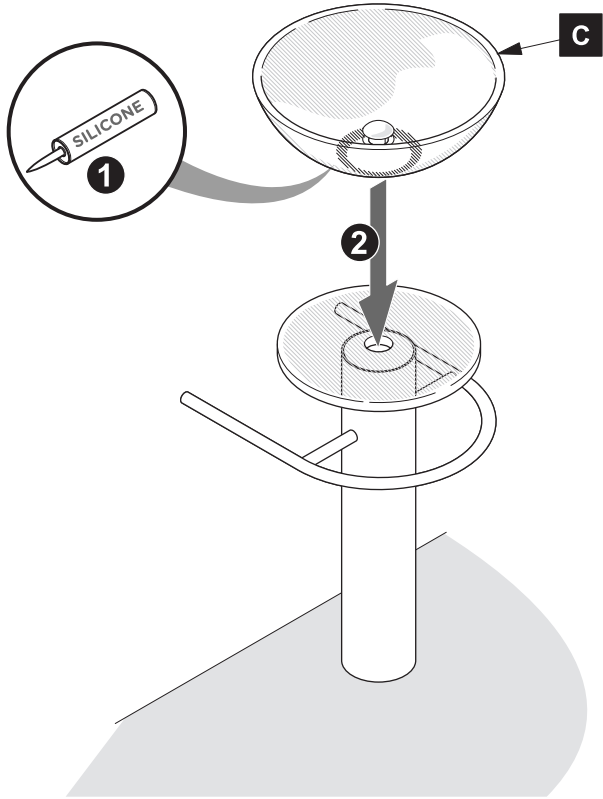


**2** Install countertop (D)



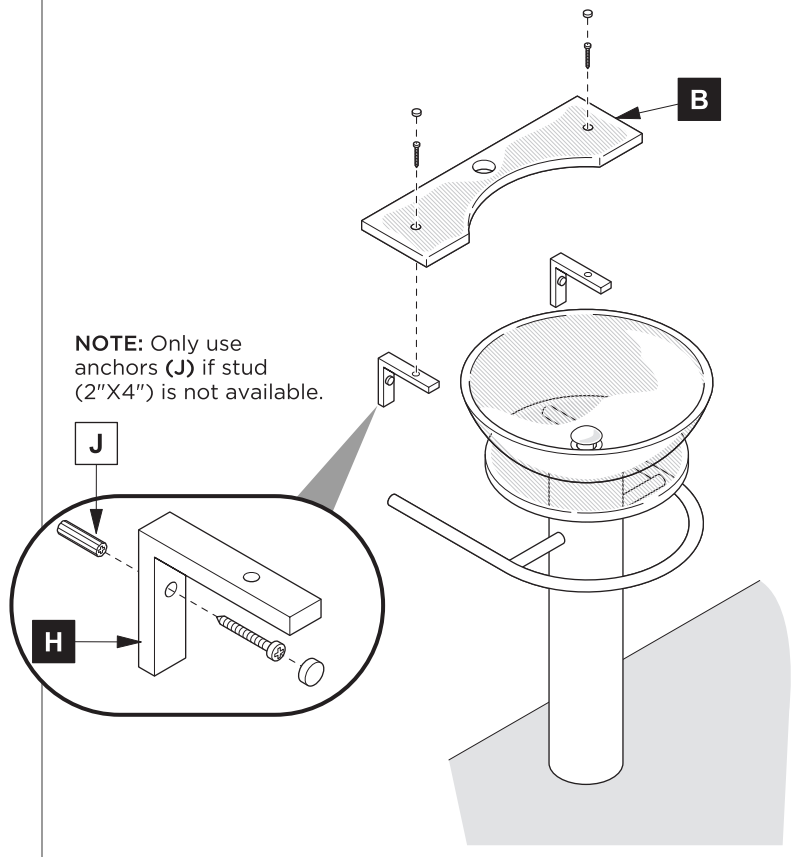
3

Install sink (C)



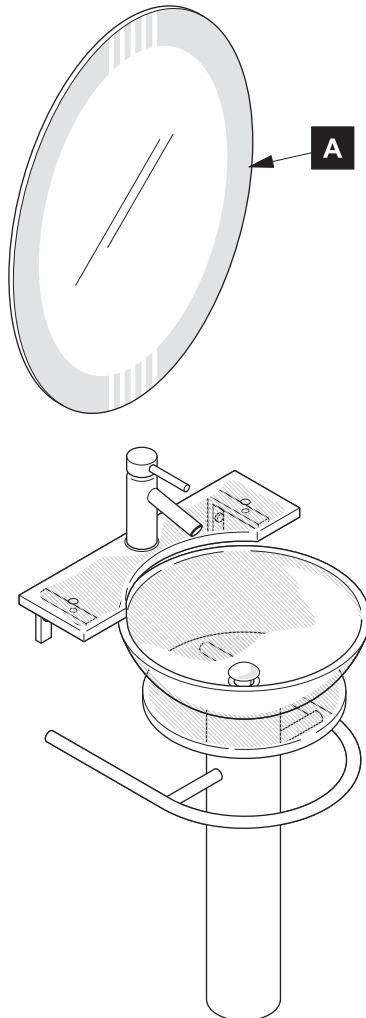
4

Install shelf (B)



5

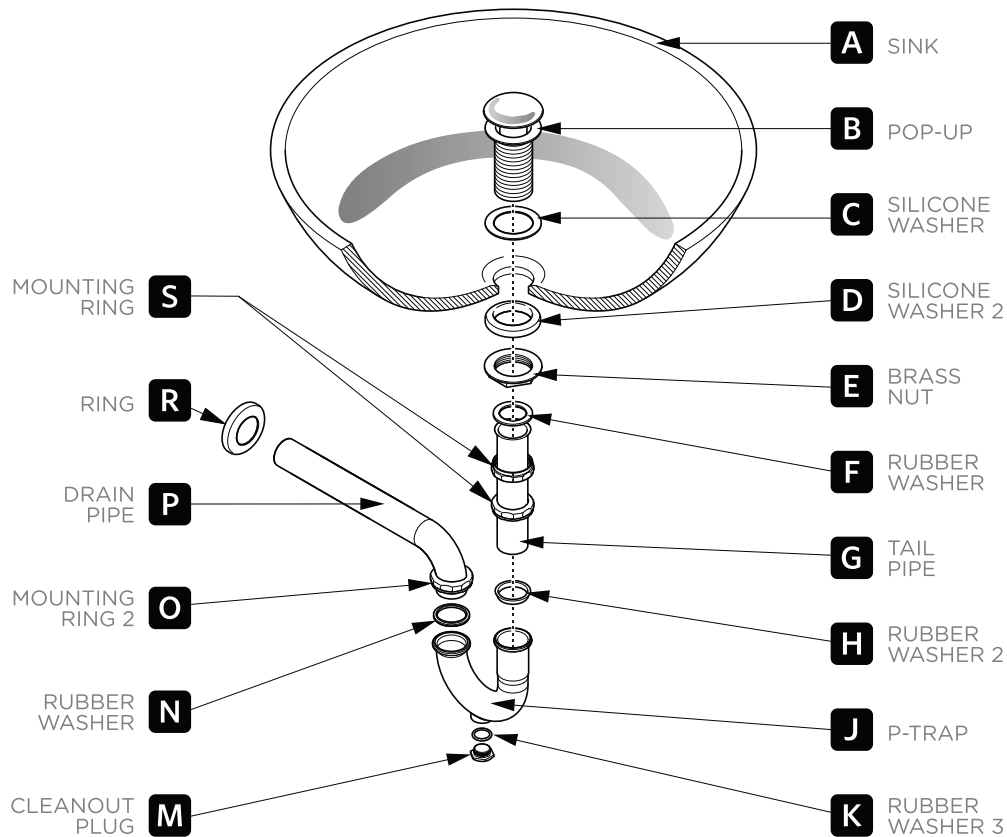
Install mirror (A)



# P-TRAP & POP-UP

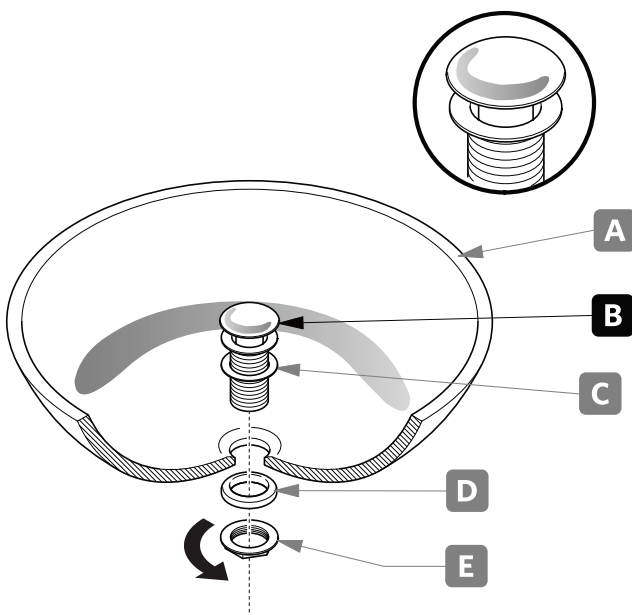
## INSTALLATION INSTRUCTIONS

Your item may appear slightly different from the illustration.



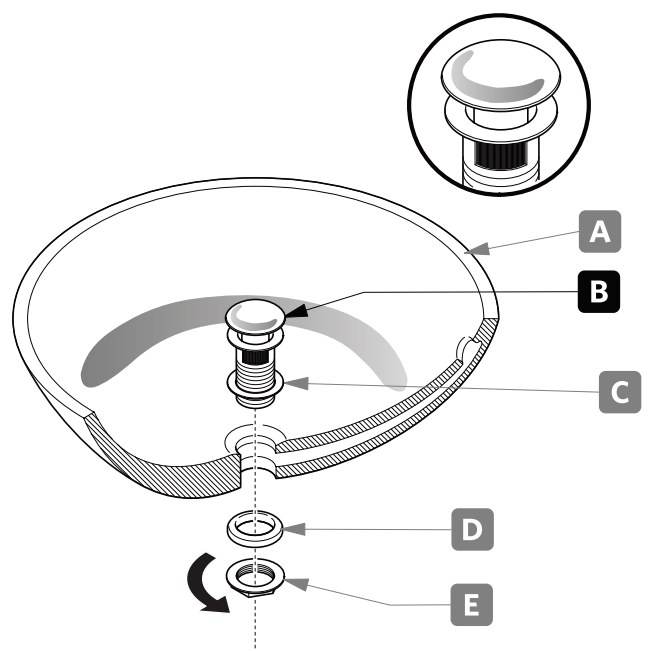
## POP-UP INSTALLATION

**FOR SINKS WITHOUT OVERFLOW**



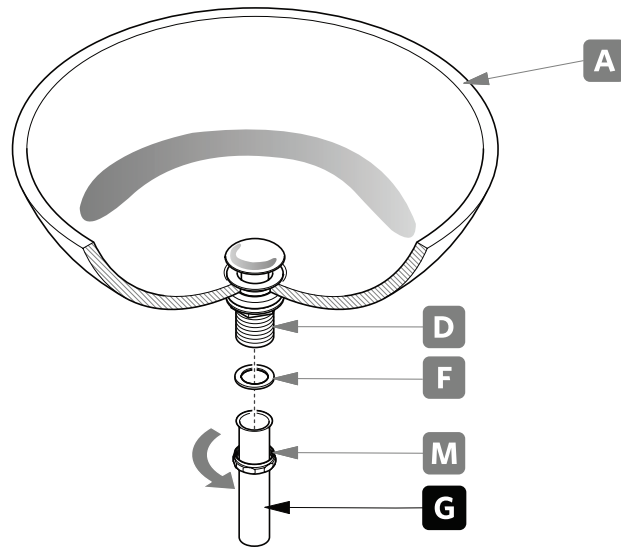
OR

**FOR SINKS WITH OVERFLOW**



# P-TRAP INSTALLATION

**1.** Install tail pipe **(G)**.



**2.** Install P-trap **(J)**.

