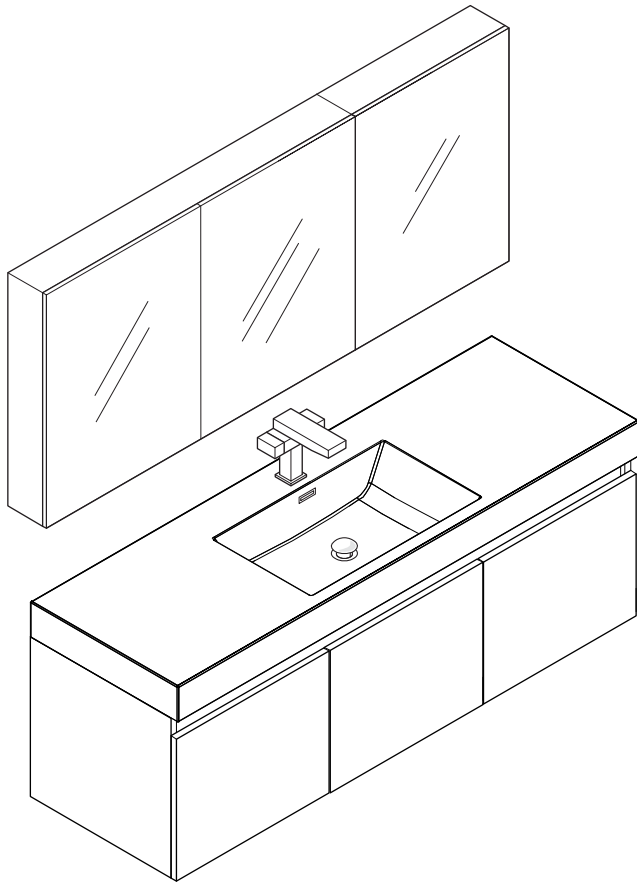
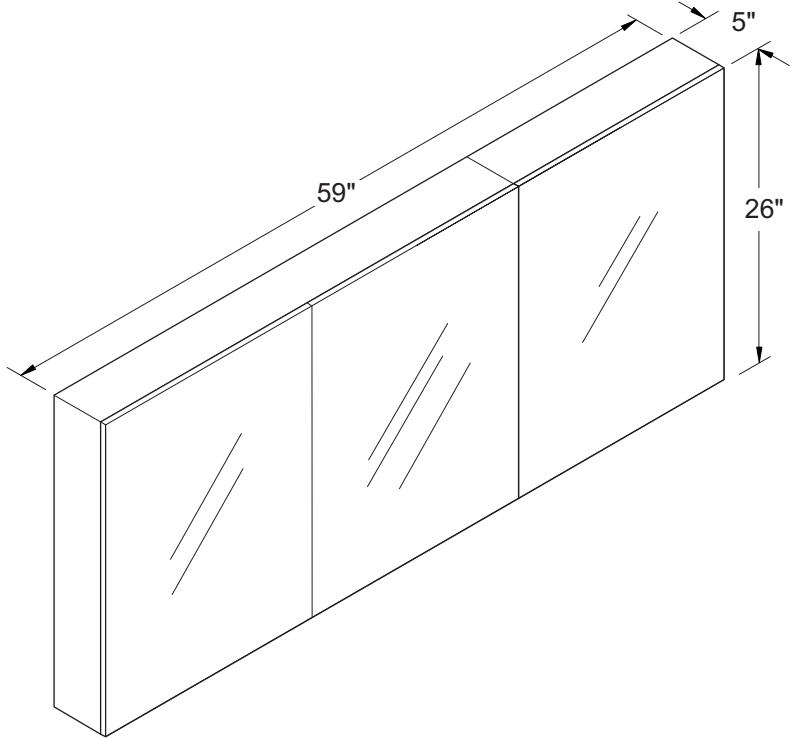




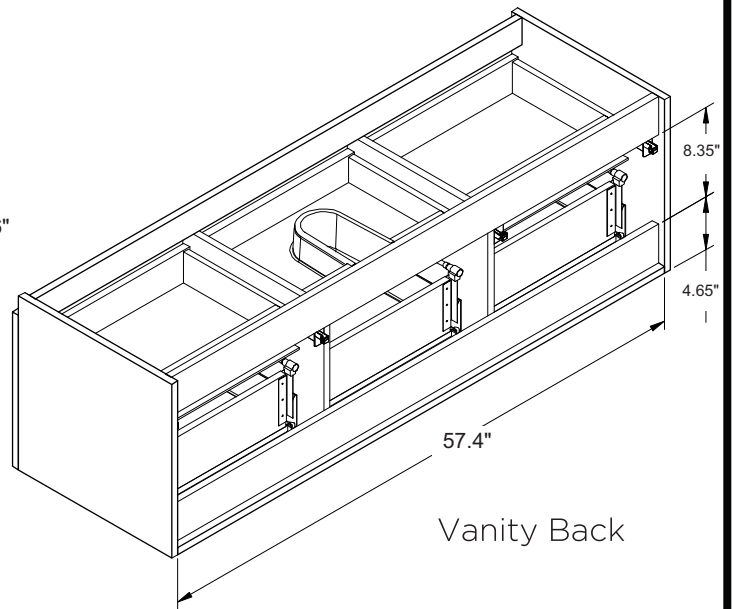
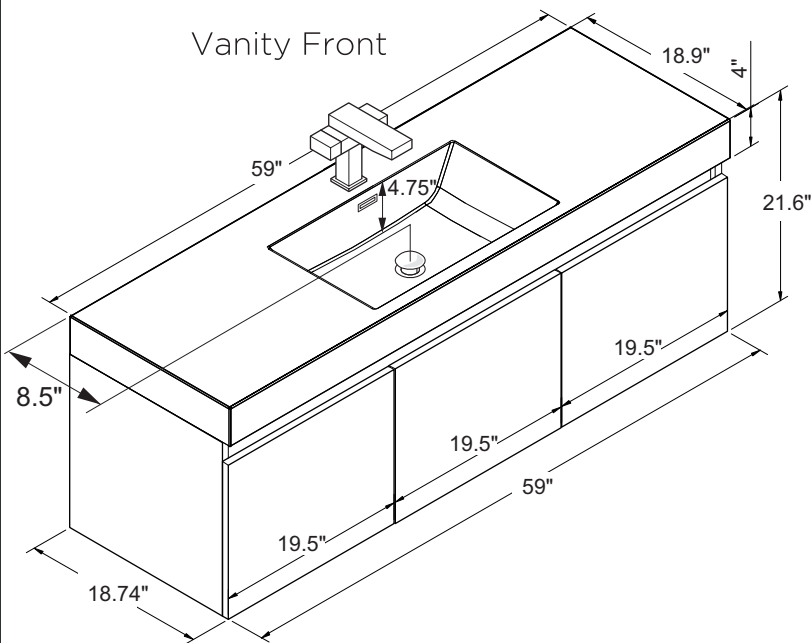
FVN8093
VISTA
INSTALLATION GUIDE



Medicine Cabinet



Vanity Front



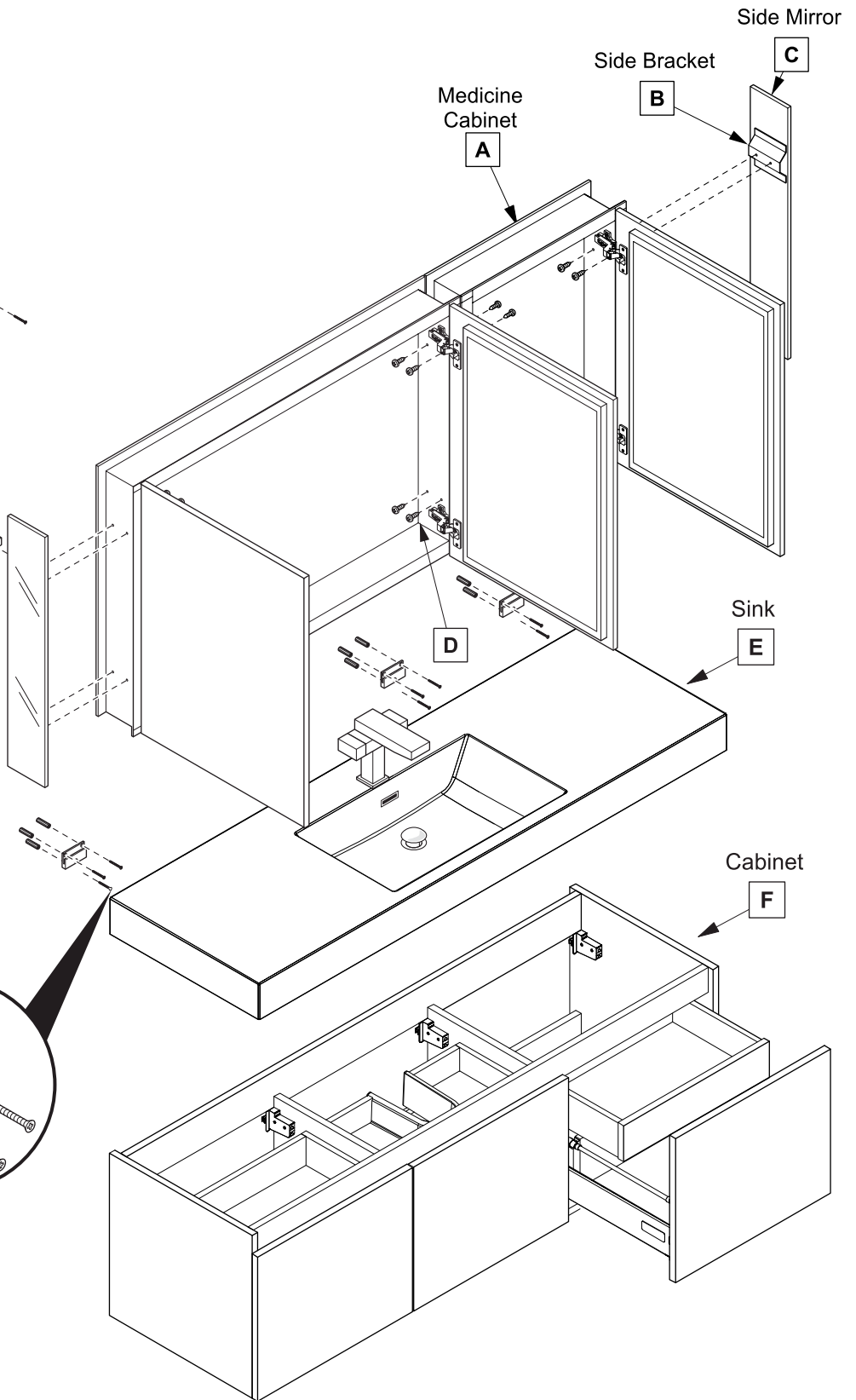
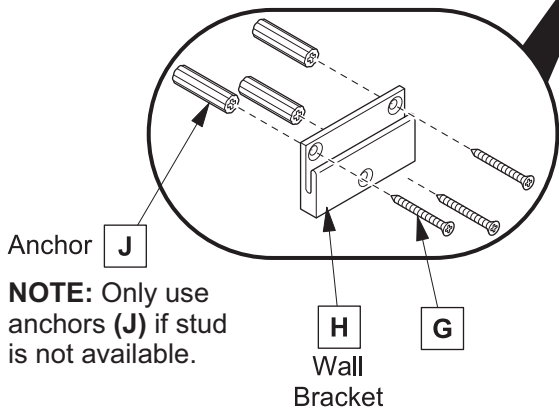
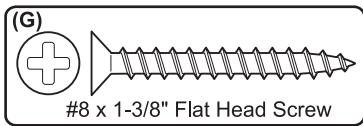
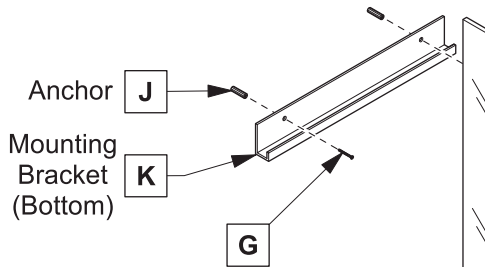
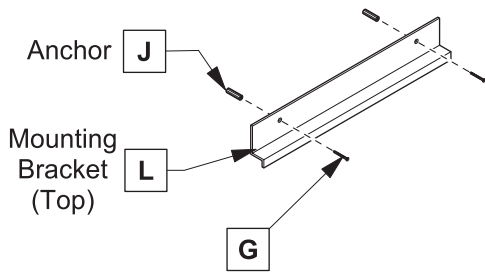
Vanity Back

 ALL DIMENSIONS & SPECIFICATIONS ARE APPROXIMATE AND SUBJECT TO CHANGE WITHOUT NOTICE.

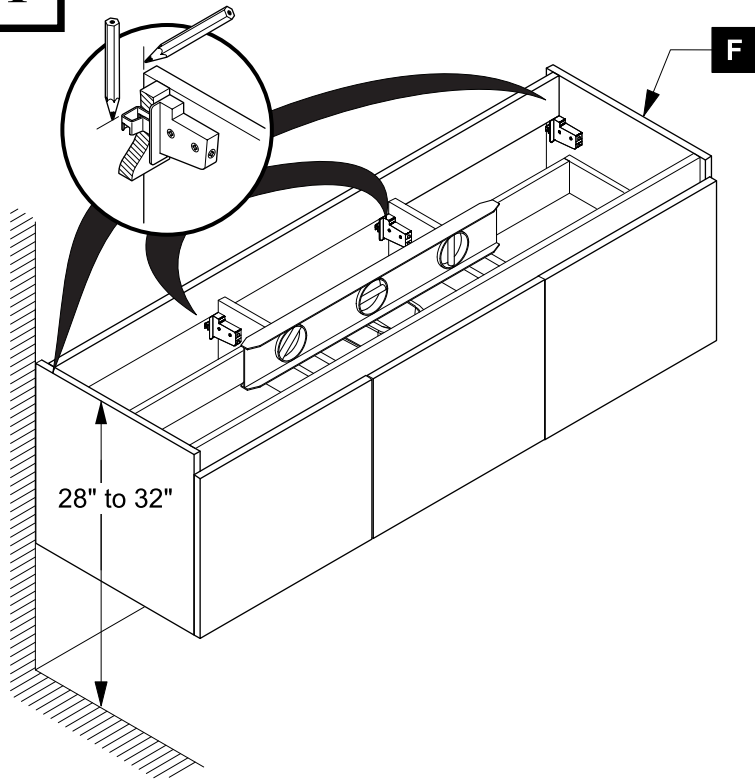
TOOLS FOR ASSEMBLY



PARTS

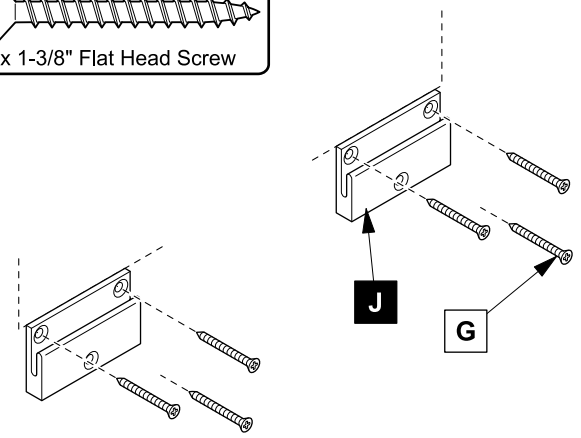
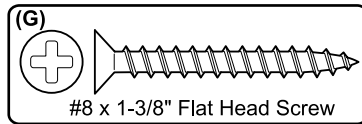


1 Locate cabinet (F) & mark location on the wall

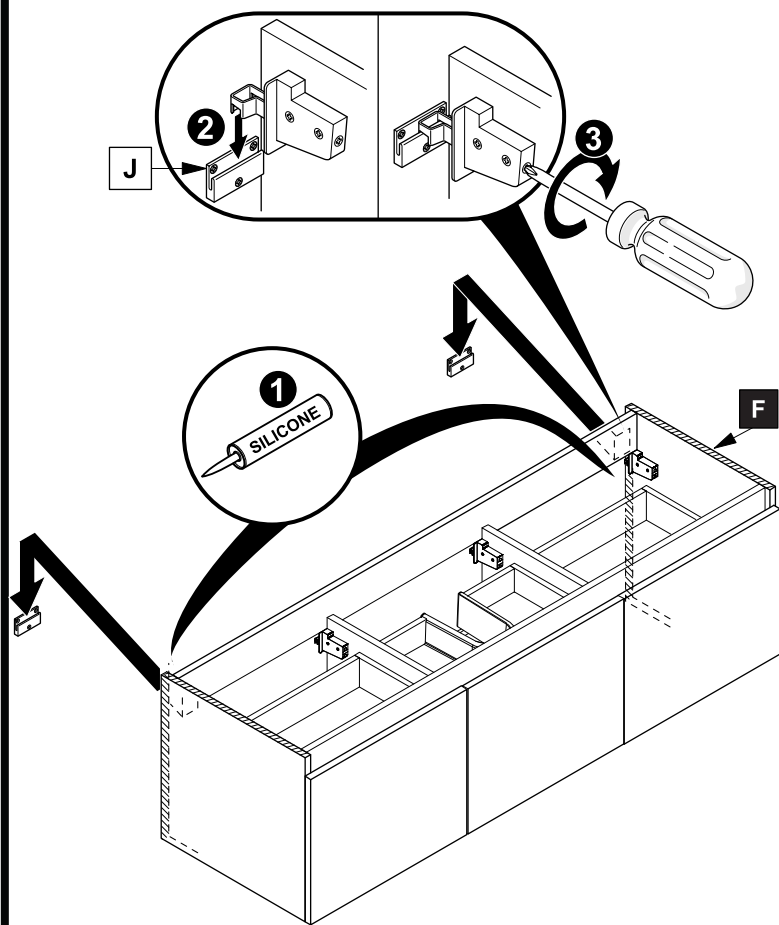


2 Install wall brackets (J)

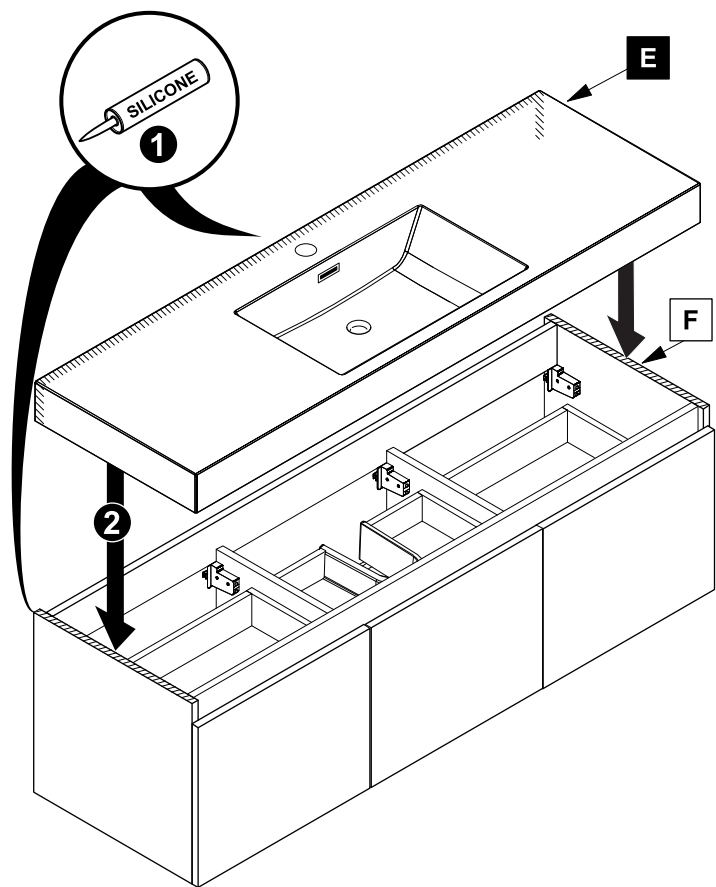
IMPORTANT: Consult an expert for the proper screws/bolts to use when attaching to various wall constructions. Screws provided **do not** attach to all wall construction types.



3 NOTE: If necessary remove drawers to access connection mechanism.



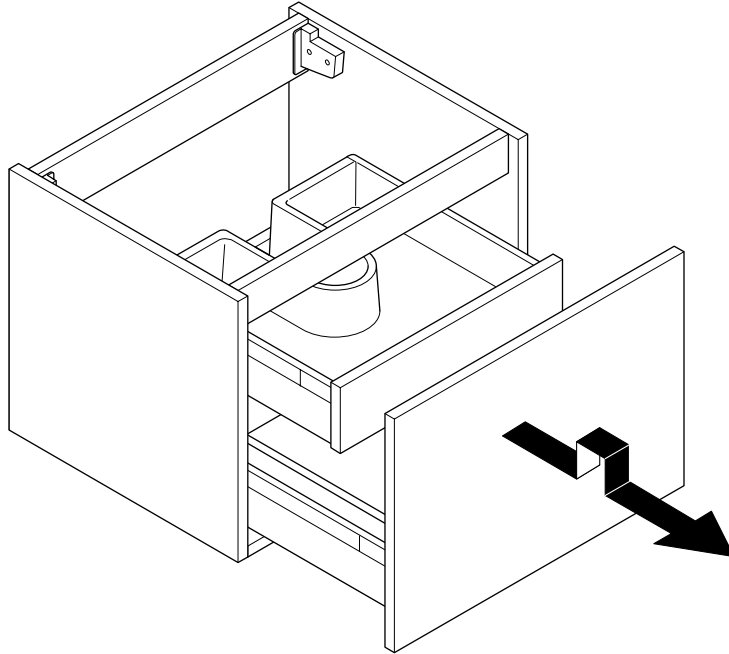
4 Apply silicone and install sink (E)



1**DRAWER REMOVAL & INSTALLATION**

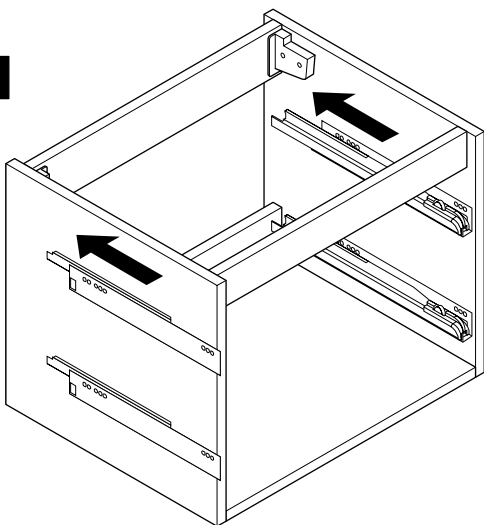
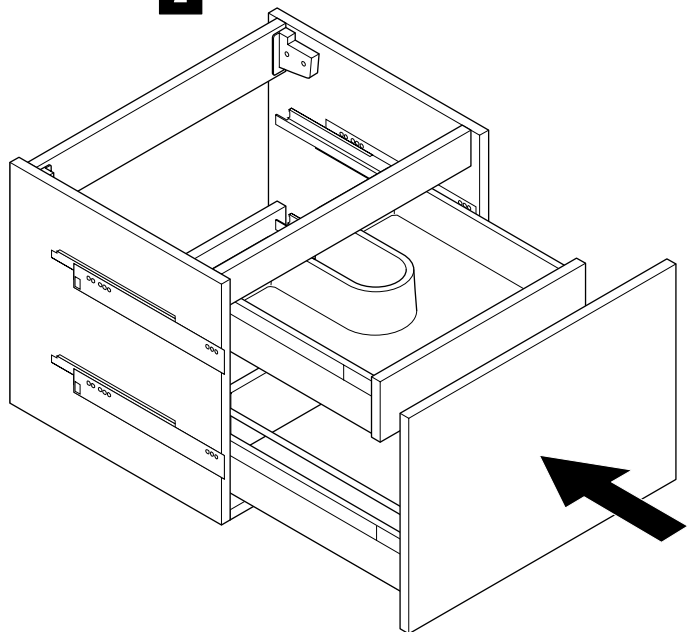
To remove drawer:

1. Pull the drawer open until the guides are fully extended.
2. Tilt drawer up and simultaneously pull the drawer out.

**2**

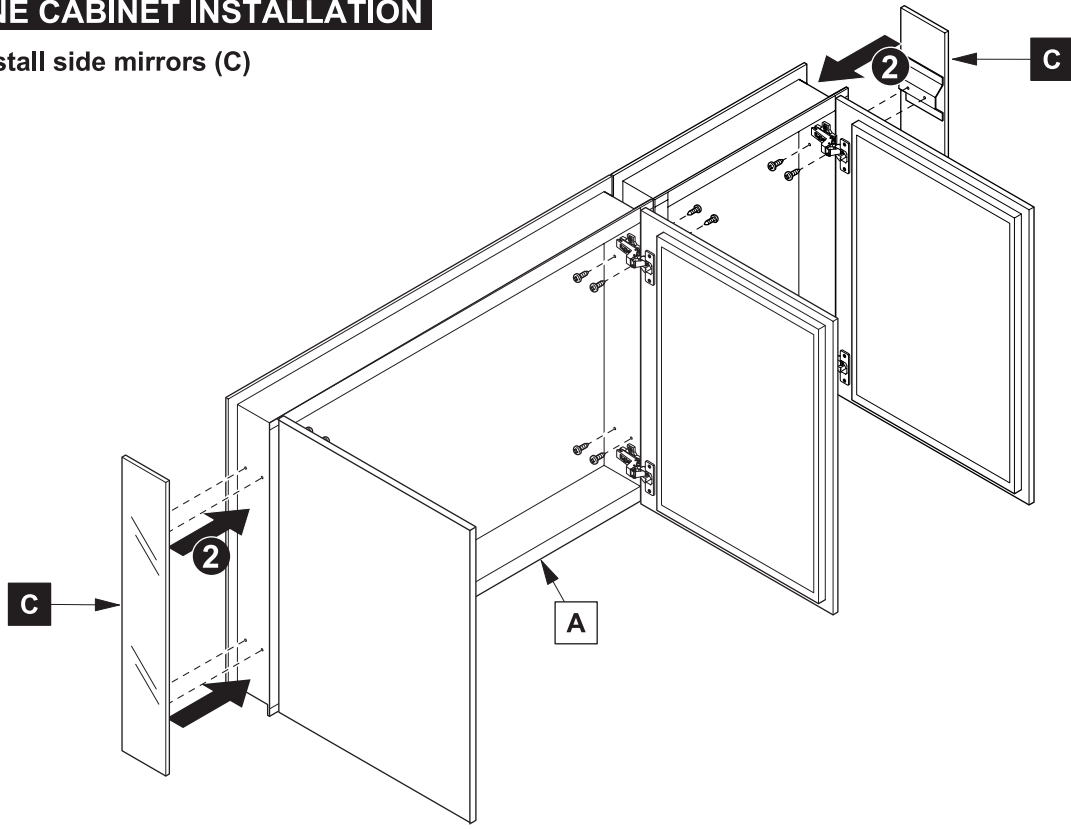
To instal drawer:

1. Line up drawer bottom with the glides on the right and left side.
2. Place the drawer on the glides and gently push into closed position.

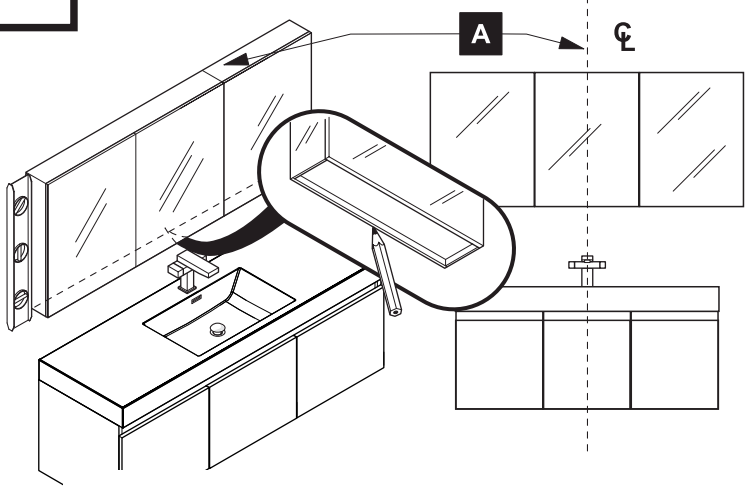
1**2**

MEDICINE CABINET INSTALLATION

1 Install side mirrors (C)

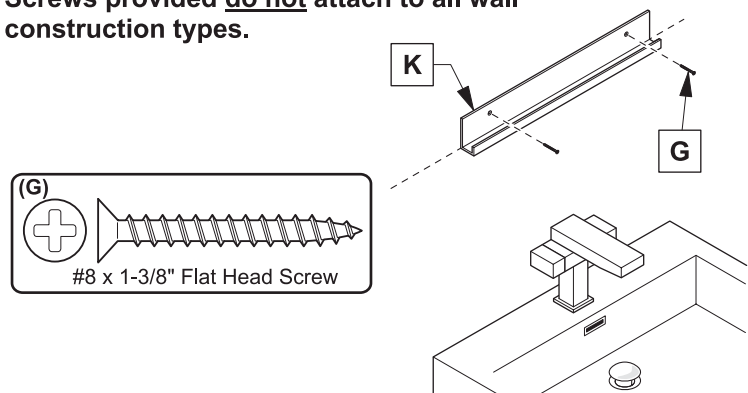


2 Mark cabinet (A) location

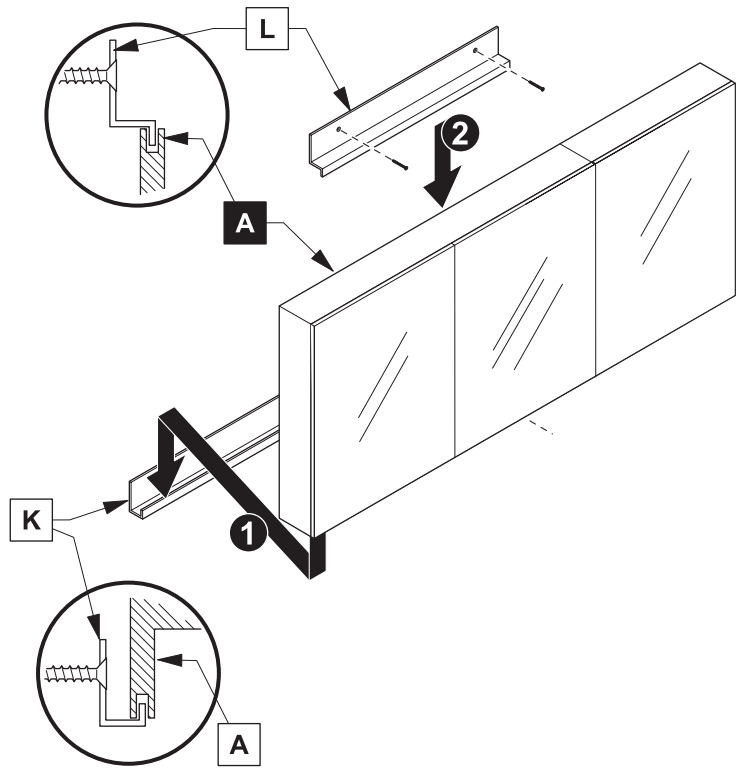
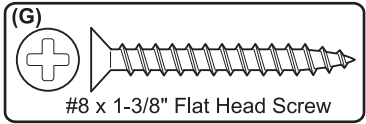


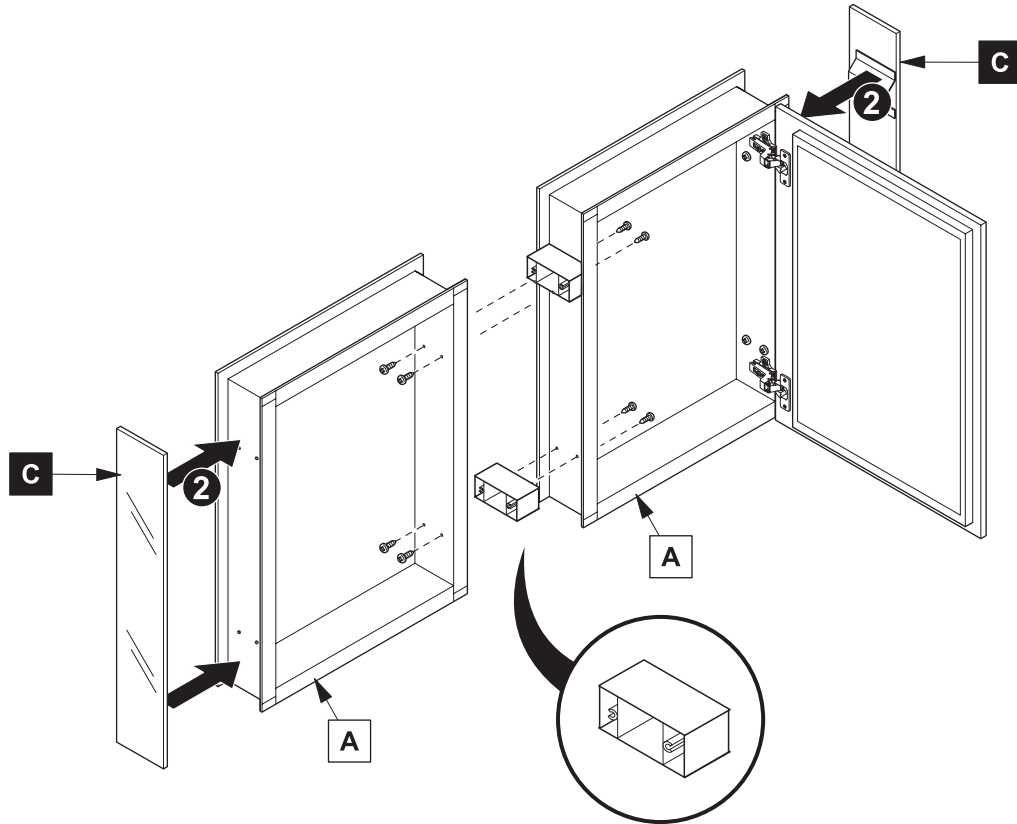
3 Install bottom bracket (K)

IMPORTANT: Consult an expert for the proper screws/bolts to use when attaching to various wall constructions. Screws provided do not attach to all wall construction types.



4 Install cabinet (A) and top bracket (L)

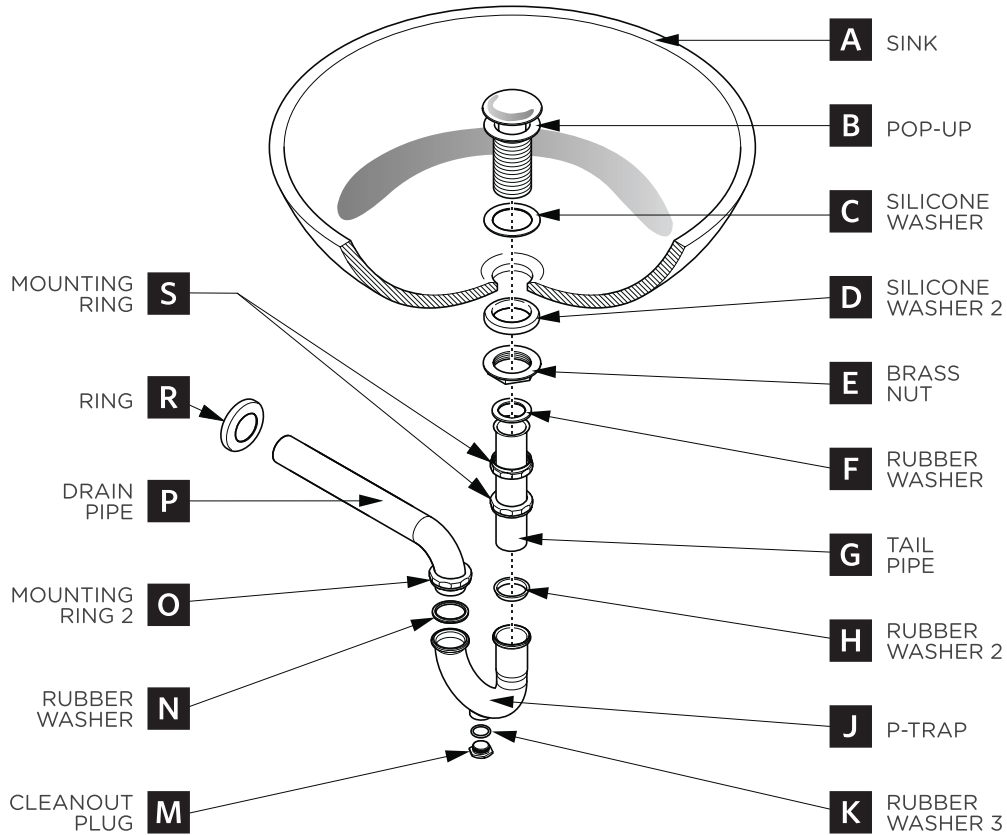




P-TRAP & POP-UP

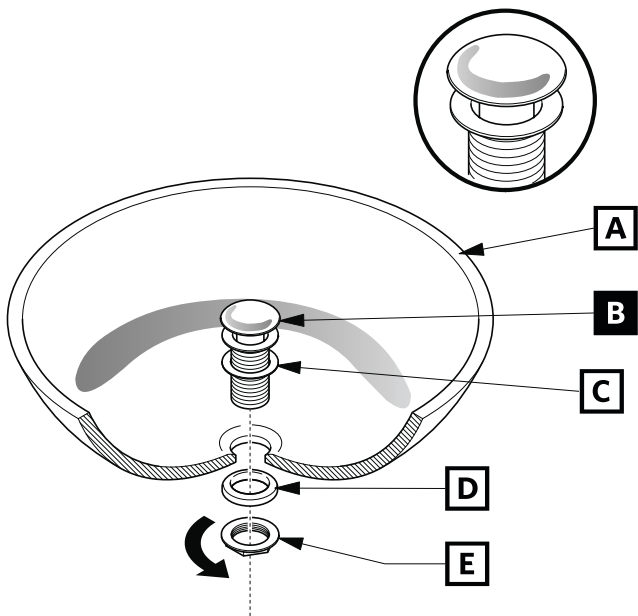
INSTALLATION INSTRUCTIONS

Your item may appear slightly different from the illustration.



POP-UP INSTALLATION

FOR SINKS WITHOUT OVERFLOW



OR

FOR SINKS WITH OVERFLOW

