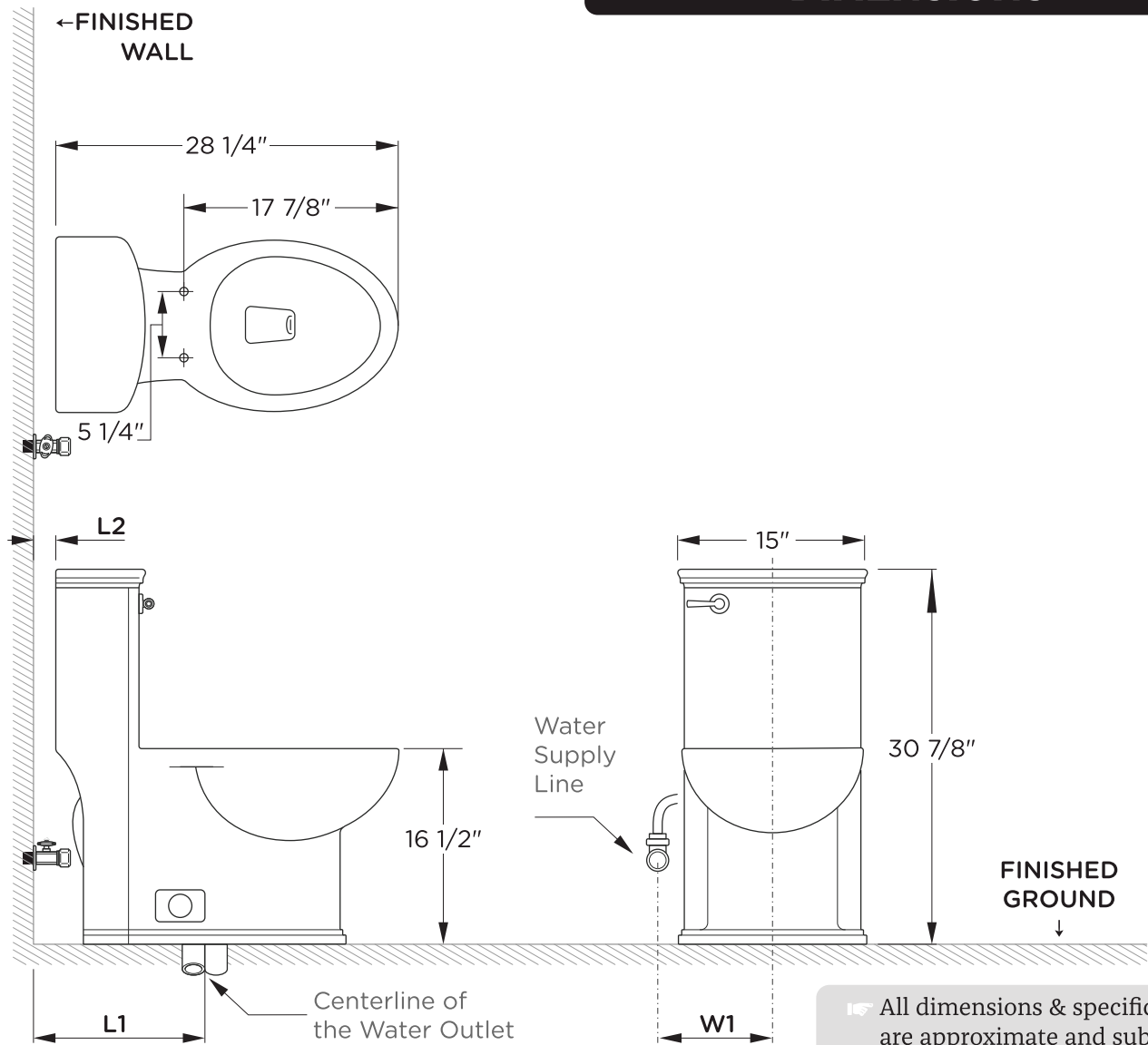




# FTL2364 ATHENA INSTALLATION GUIDE



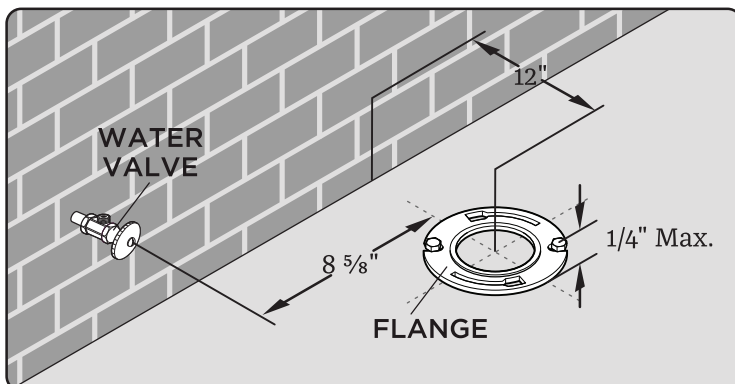
## DIMENSIONS



All dimensions & specifications are approximate and subject to change without notice.

## INSTALLATION

### Standard US Installation Dimensions

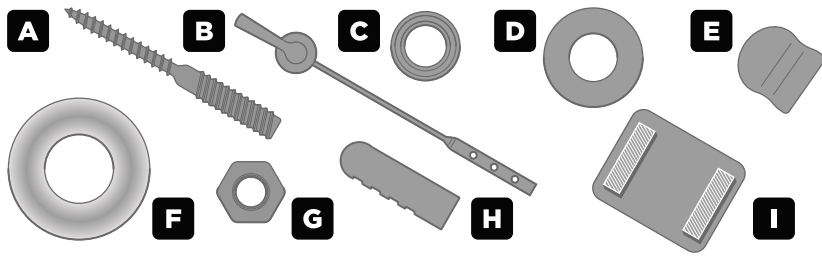


Size	28 1/4" X 15" X 30 7/8"	
Water Consumption	1.28 GPF	
Flush Type	Siphonic Type	
Diameter of Outlet	3 1/4"	
Rough-in	Code	
	L1	12"

### INSTALLATION SIZE SUGGESTION

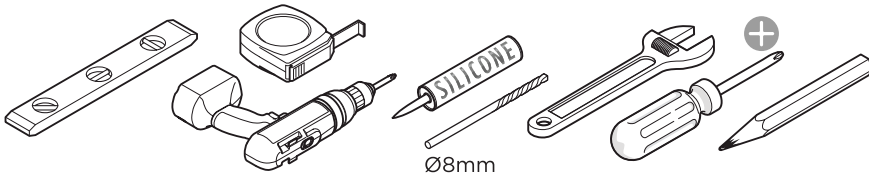
H1	5 7/8"
W1	8 5/8"
L2	1"

## SUPPLIED PARTS LIST:

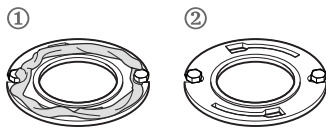


- |                              |                                 |
|------------------------------|---------------------------------|
| <b>A.</b> Dowel Screw (X2)   | <b>F.</b> Wax Ring              |
| <b>B.</b> Flush Lever        | <b>G.</b> Fastener Nut (X2)     |
| <b>C.</b> Bottom Spacer (X2) | <b>H.</b> Plastic Anchor (X2)   |
| <b>D.</b> Metal Washer (X2)  | <b>I.</b> Decorative Cover (X2) |
| <b>E.</b> Bolt Cap (X2)      |                                 |

## TOOLS REQUIRED FOR INSTALLATION:



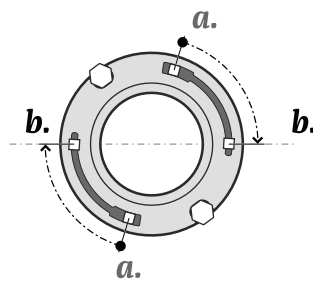
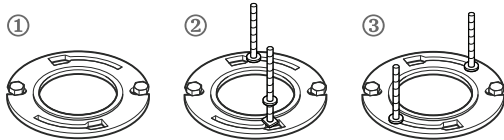
- 1.** Clean the flange if necessary.



### NOTE:

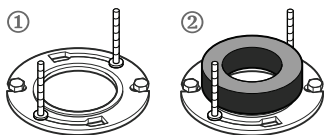
The flange must not exceed 1/4" above the floor and the floor has to be secured to the building structure.

- 2.** Install the toilet bolts at the 3 and 9 o'clock position, equally spaced from the finished wall.

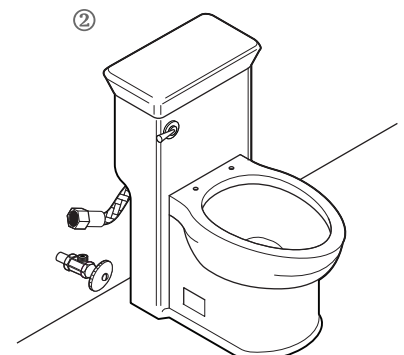
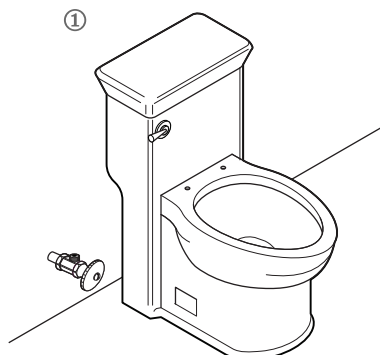


**FLANGE**  
top view

- 3.** Place the wax ring around the outlet hole of the toilet.



- 4.** Connect the water supply line to the tank.



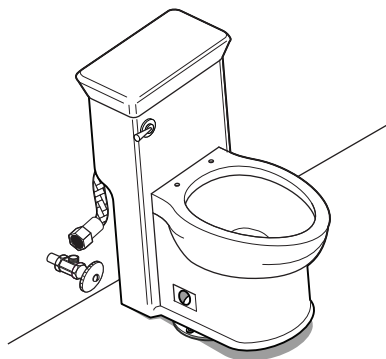
## INSTALLATION

### BEFORE THE INSTALLATION

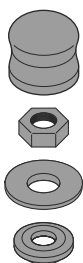
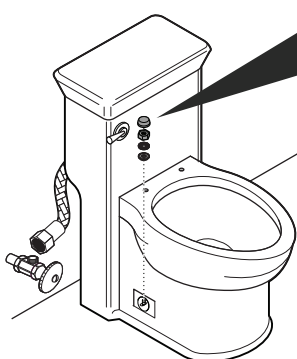
- Read over the instruction carefully to familiarize with the installation process. If at any time you do not feel comfortable with the installation process, contact a licensed plumber.
- Check over the parts list to make sure there are not missing items or damaged items.
- Risk of personal injury. If the new toilet is not installed immediately, temporarily place a rag in the waste pipe. Hazardous gases may leak from the opening if it is not blocked.
- IMPORTANT!** Do not lift or rock the bowl after placement. If you break the watertight seal, you must install a new wax seal.
- The floor of installation position should be leveled.
- If you are replacing toilet, please turn off water supply and flush the water tank to make sure no water remains inside the product. Drain the remaining water from the bowl with a sponge or rag. Remove the water supply line and unfasten screws, then remove the toilet and the old gasket and clean or replace the floor flange.

**Note:** Fresca reserves the right to make revisions in the design of products without notice.

- 5.** Position toilet with a rocking motion, press bowl down fully on wax ring & flange.

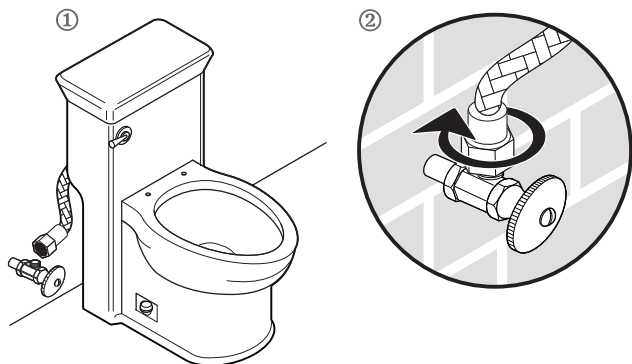


- 6.** Tighten nuts until toilet is firmly seated on the floor.

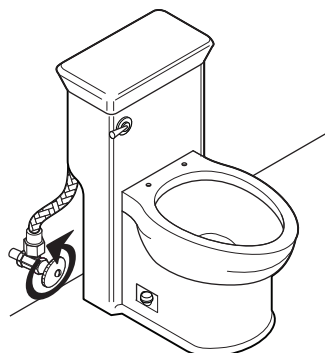


- E** Bolt Cup
- G** Fastener Nut
- D** Metal Washer
- C** Bottom Spacer

- 7.** Shut off the water valve and connect the supply line to the water outlet.

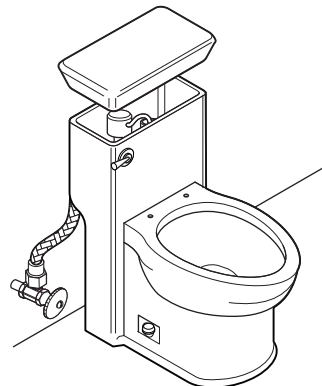


- 8.** Turn the water back on.

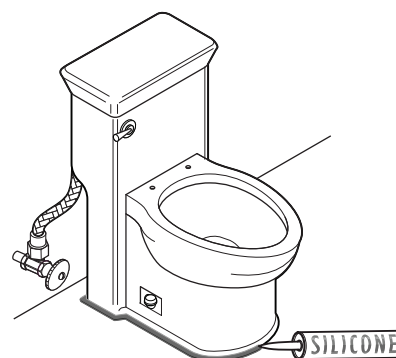


## INSTALLATION

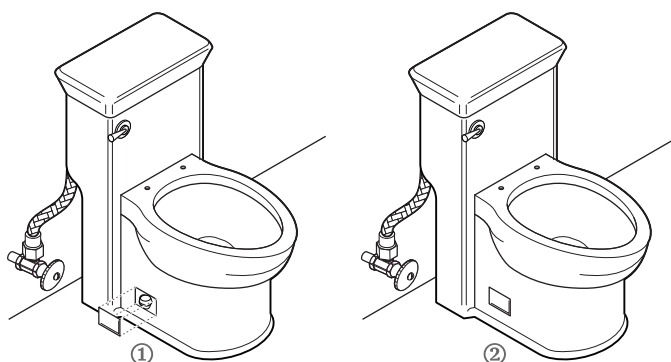
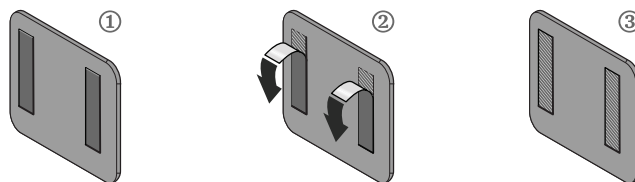
- 9.** Open the tank carefully, then test the flushing mechanism to see if it works properly and water level remains the same between flushes.



- 10.** Seal the fixture around its base using silicone sealant.

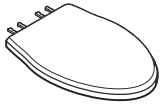
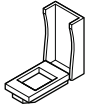
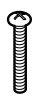
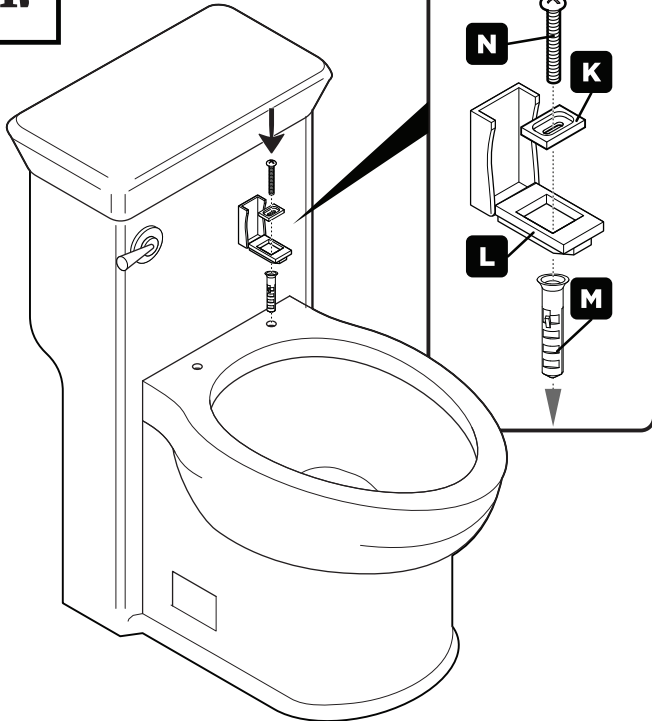
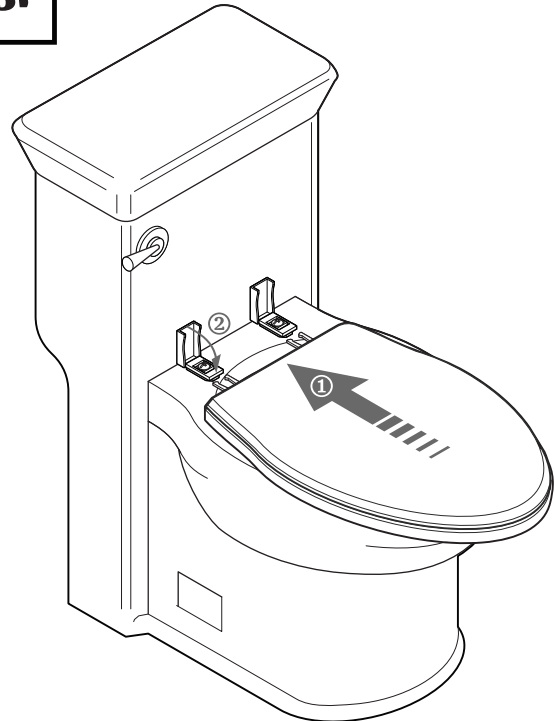
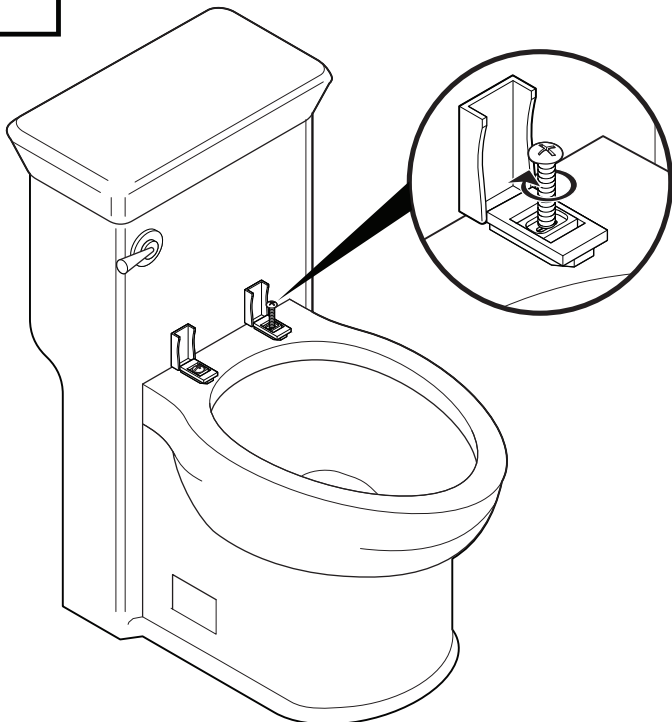
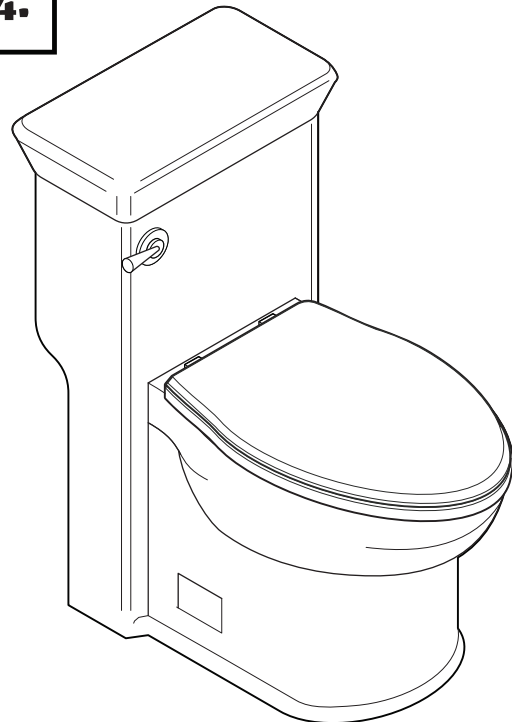


- 11.** Peel off the top layer from the decorative covers to expose a sticky surface. Then place it on to the bottom cistern to cover the screw openings.



# TOILET SEAT INSTALLATION

## SUPPLIED PARTS LIST:

**J****K****L****M****N****J.** Seat**K.** Plastic Insert (X2)**L.** Plastic Cover (X2)**M.** Plastic Expansion Anchor (X2)**N.** Connecting Bolts (X2)**1.****3.****2.****4.****FTL2364**

ATHENA

**INSTALLATION GUIDE**

PAGE 4