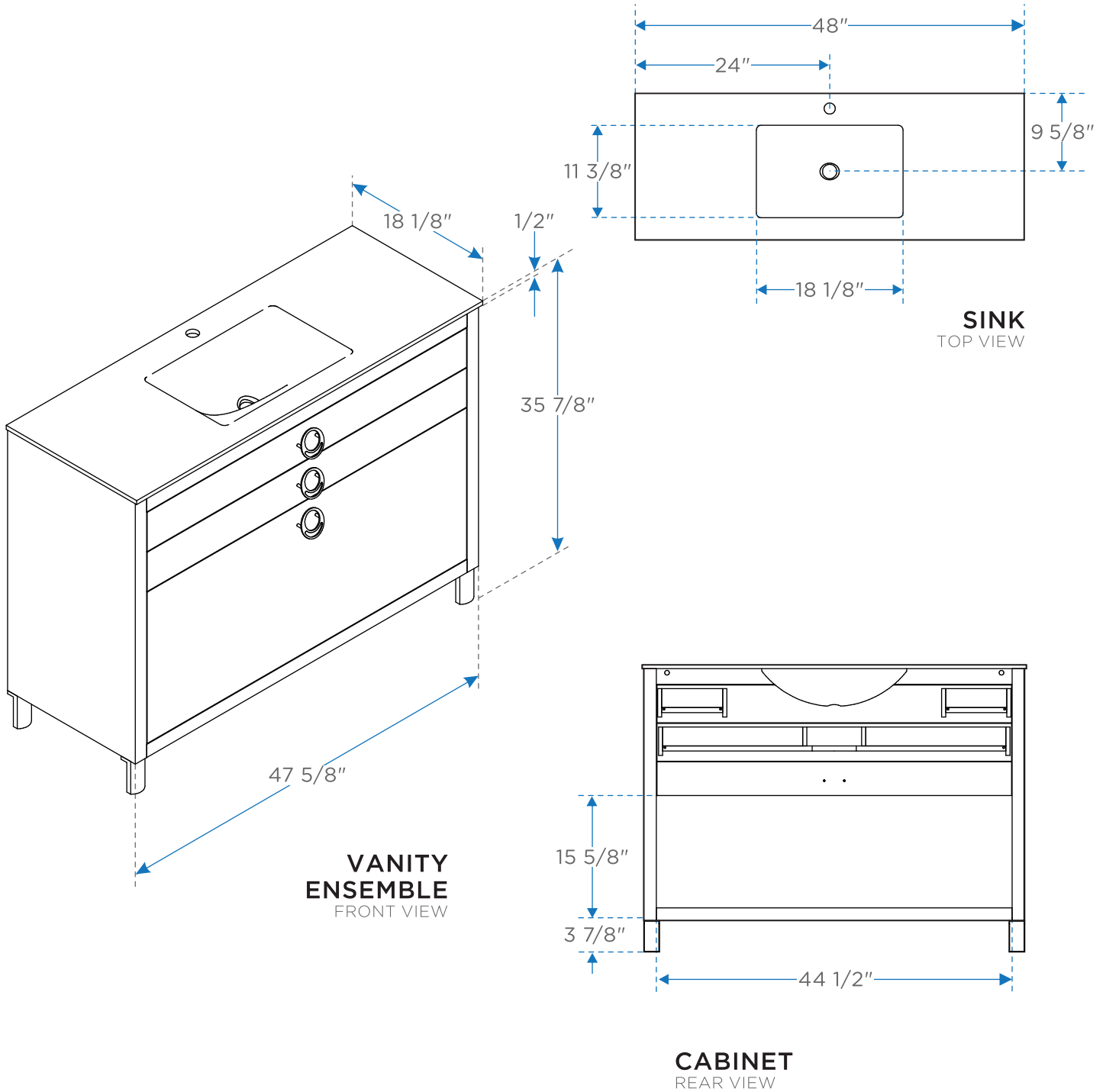


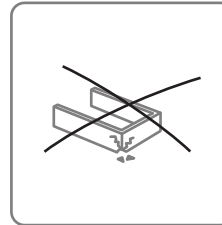
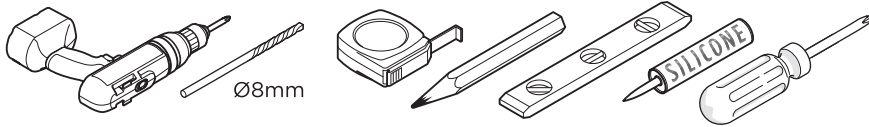
FPVN7848
Due
 INSTALLATION GUIDE



ALL DIMENSIONS & SPECIFICATIONS ARE APPROXIMATE AND SUBJECT TO CHANGE WITHOUT NOTICE.

INSTALLATION INSTRUCTIONS:

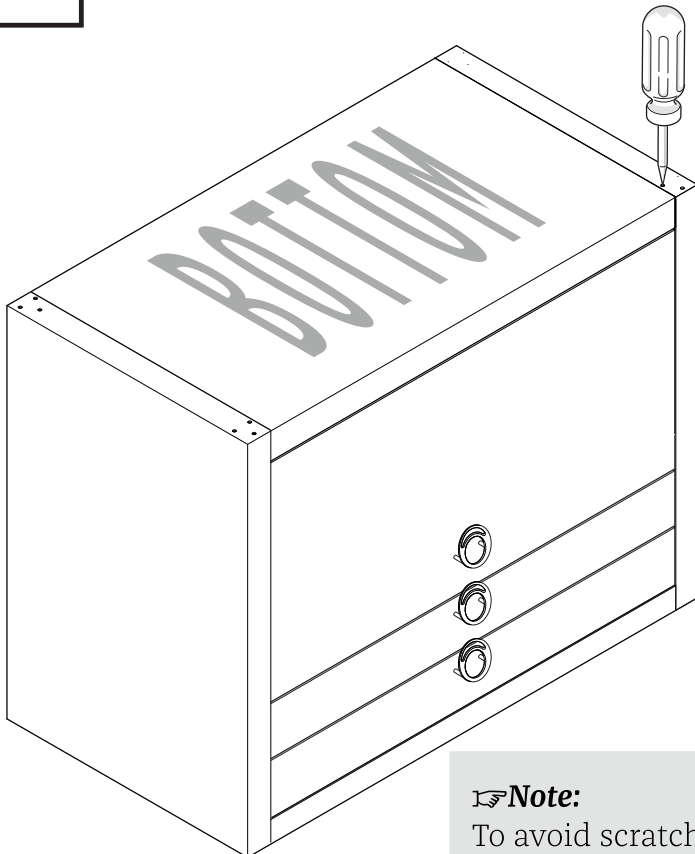
TOOLS NEEDED FOR INSTALLATION



Note:
Manufacturer is not responsible for damages caused by improper installation.

LEG INSTALLATION :

1. Place the cabinet upside down.

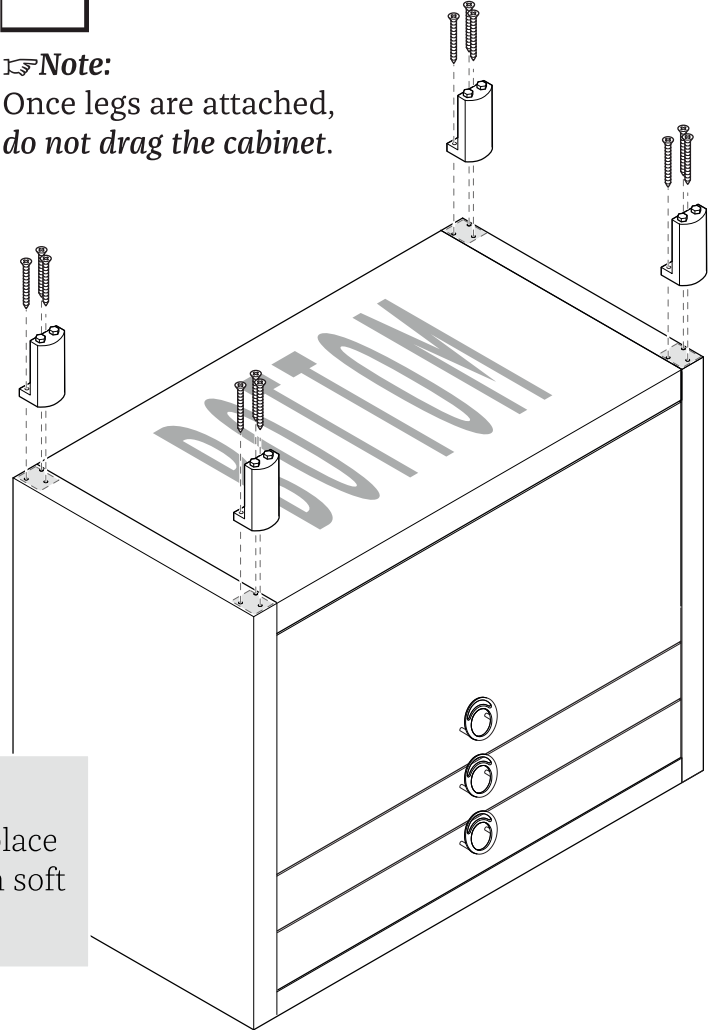


Note:
In case the holes are not marked, you can mark them using a sharp tool.

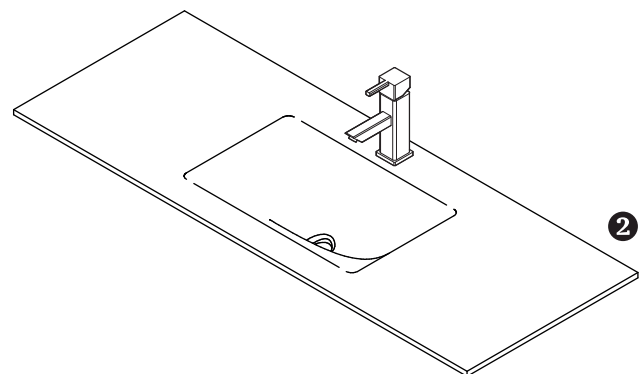
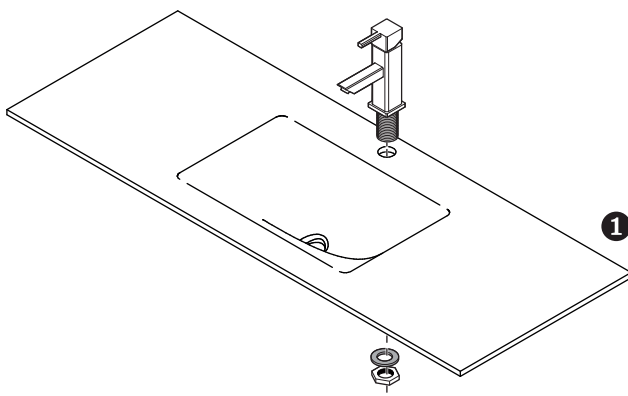
Note:
To avoid scratches place cabinet on a smooth soft surface.

2. Attach legs to the cabinet using screws.

Note:
Once legs are attached, do not drag the cabinet.

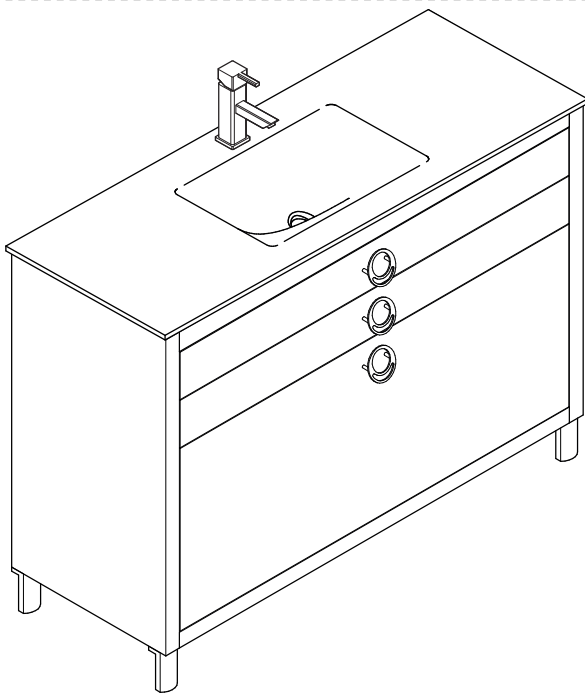
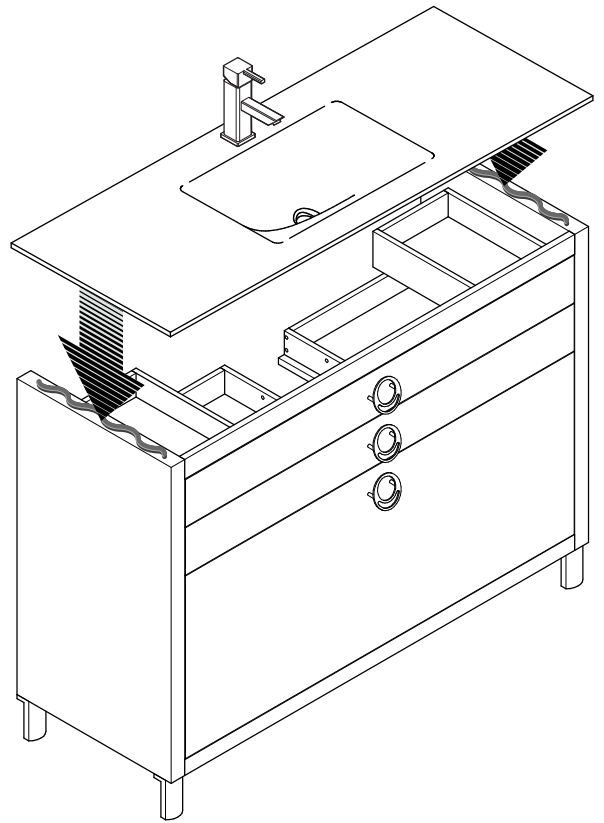
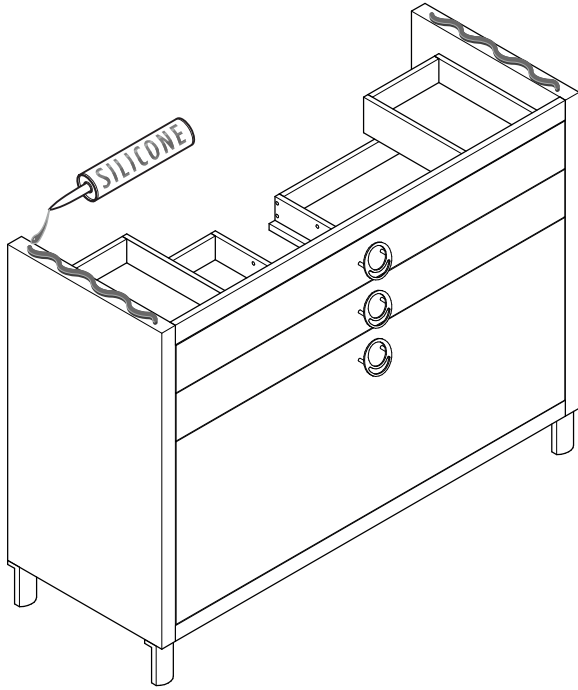


3. Attach the faucet to the sink and secure it with the rubber washer and the brass nut provided with faucet.

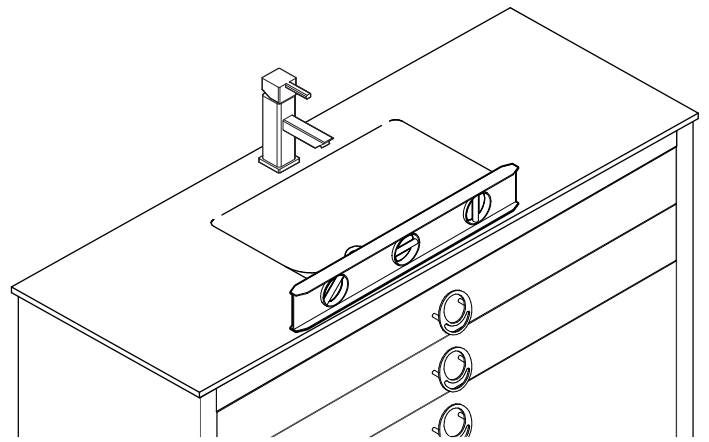


INSTALLATION INSTRUCTIONS:

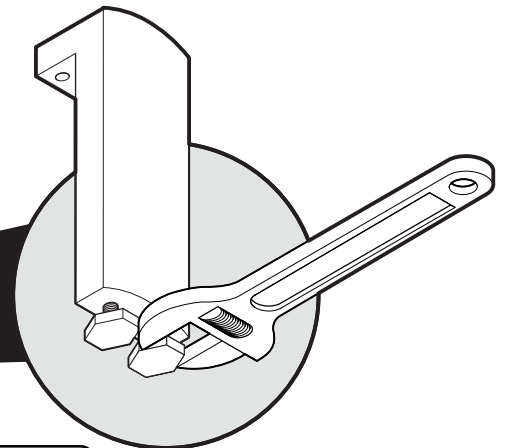
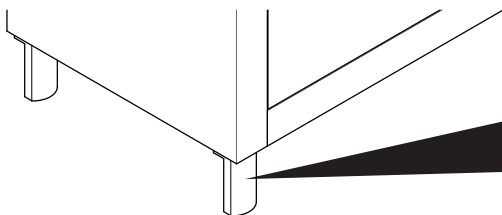
- 4.** Apply a bead of silicone on the top of the cabinet and place the sink on it.



- 5.** Place the cabinet on its legs and place the level on the top to determine if leveled.

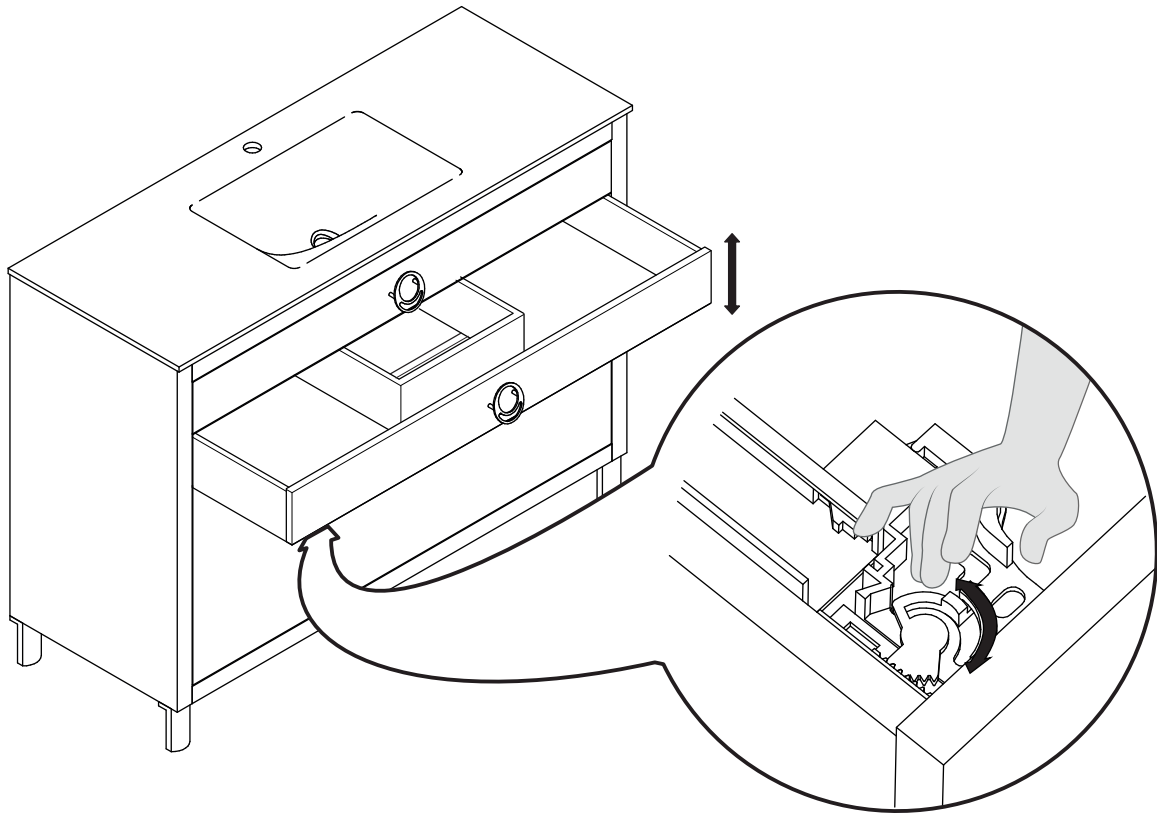


- 6.** If needed you can adjust the level of the cabinet by rotating bolts left or right on the bottom of the legs.



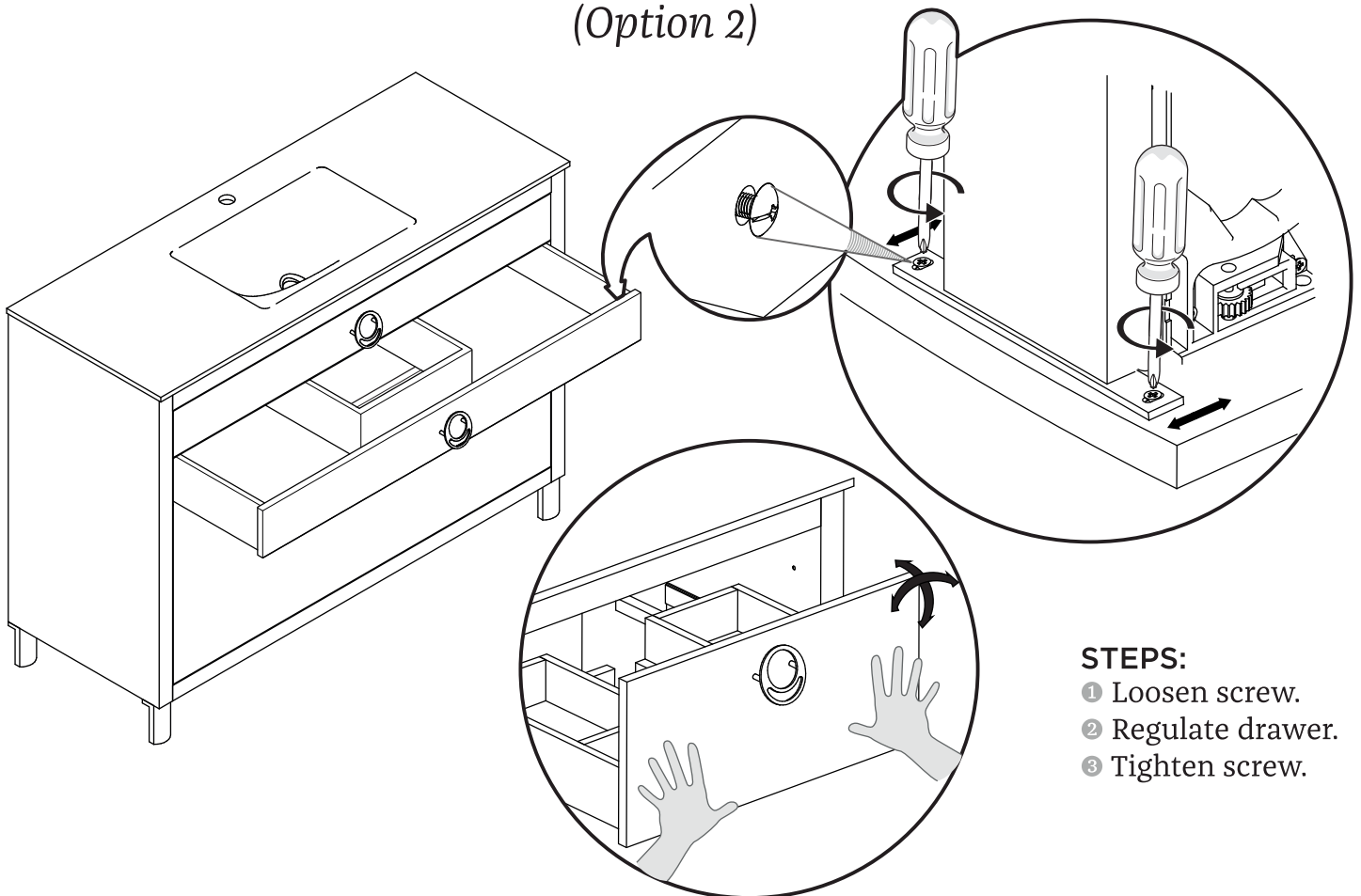
FRONT DRAWER ADJUSTMENT:

VERTICAL ADJUSTMENT



VERTICAL & HORIZONTAL ADJUSTMENT

(Option 2)



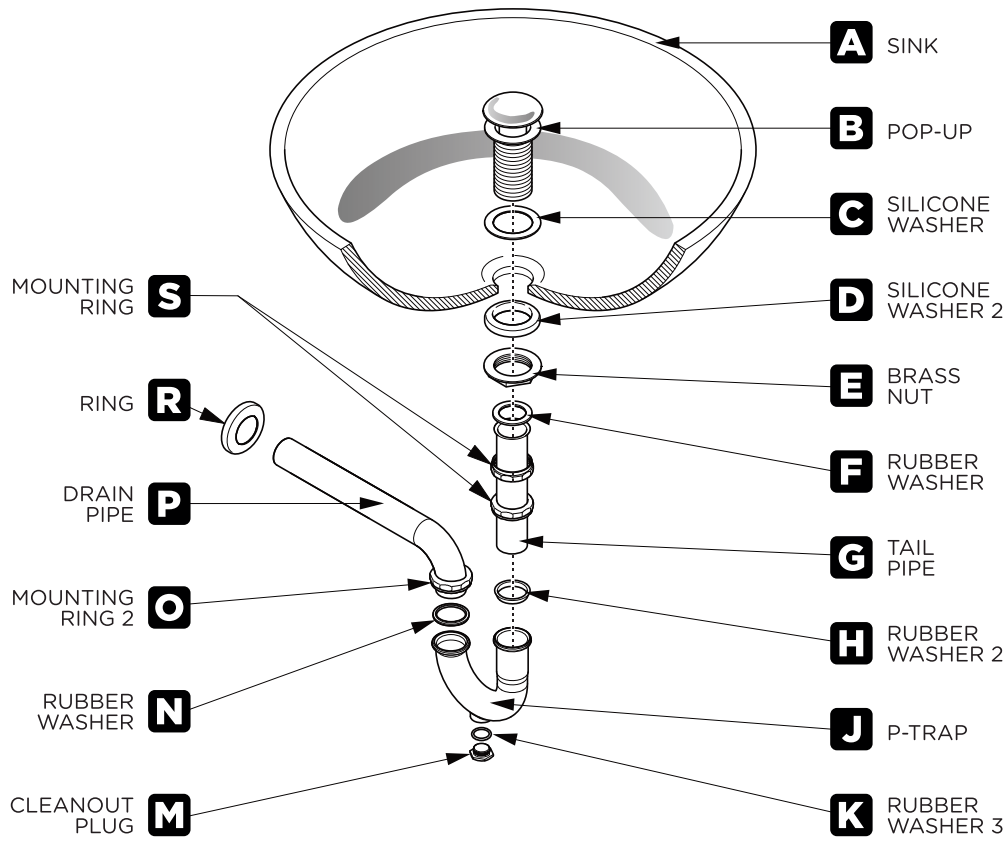
STEPS:

- 1 Loosen screw.
- 2 Regulate drawer.
- 3 Tighten screw.

POP-UP & P-TRAP

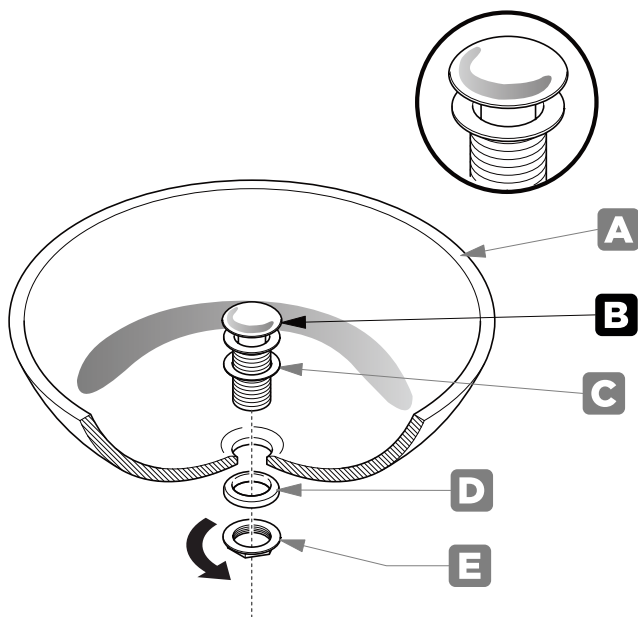
INSTALLATION INSTRUCTIONS:

Your item may appear slightly different from the illustration.



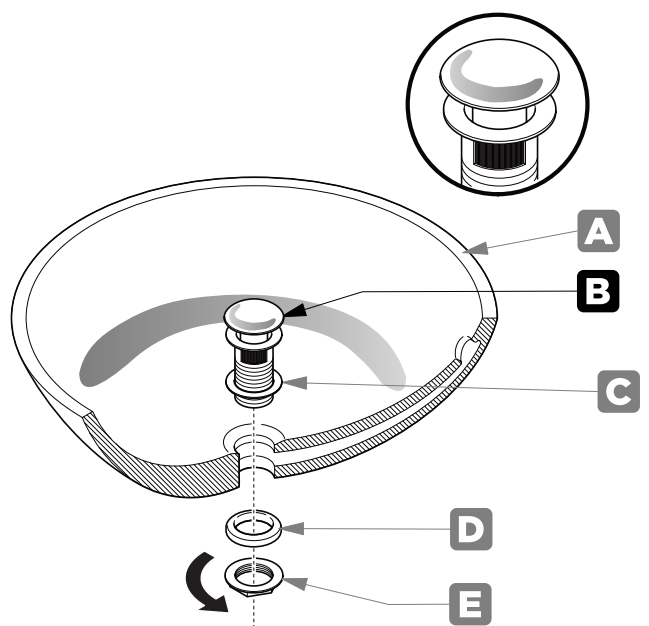
POP-UP INSTALLATION

FOR SINKS
WITHOUT OVERFLOW



OR

FOR SINKS
WITH OVERFLOW



FPVN7848

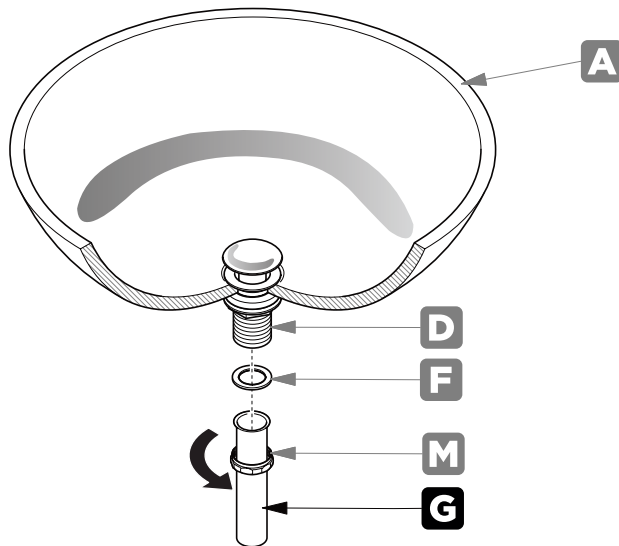
DUE

INSTALLATION GUIDE

PAGE 5

P-TRAP INSTALLATION

1. Install tail pipe (G).



2. Install P-trap (J).

