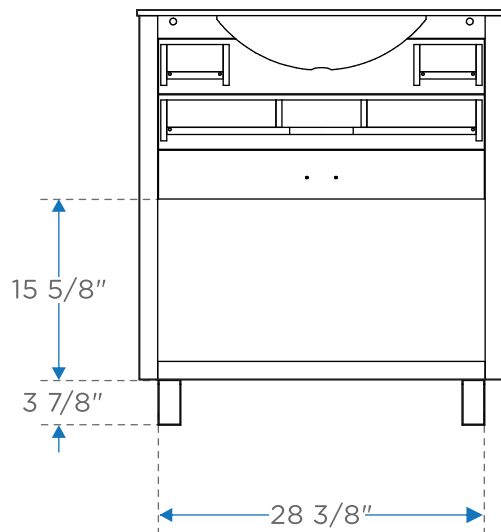
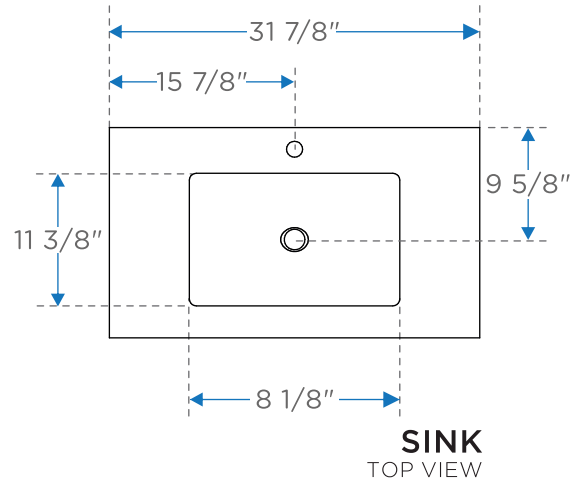
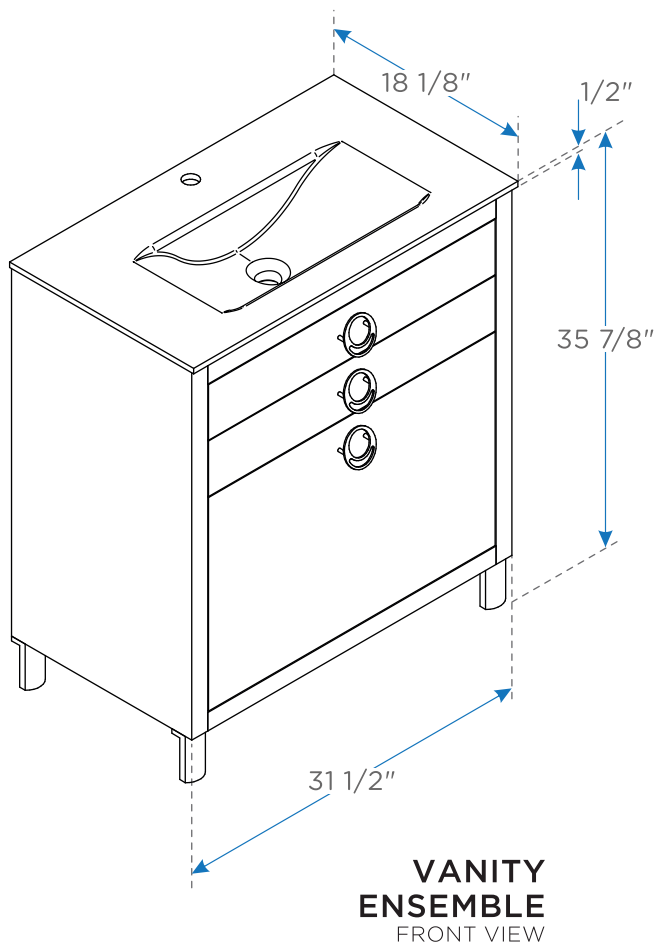


**FPVN7832**  
**Due**  
 INSTALLATION GUIDE



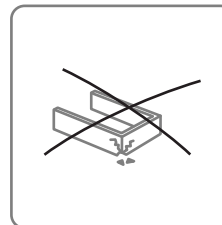
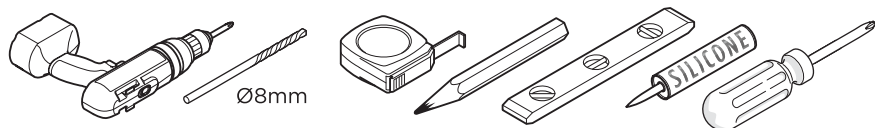
**Note:** Please read assembly instructions carefully before the installation.



ALL DIMENSIONS & SPECIFICATIONS ARE APPROXIMATE AND SUBJECT TO CHANGE WITHOUT NOTICE.

# INSTALLATION INSTRUCTIONS:

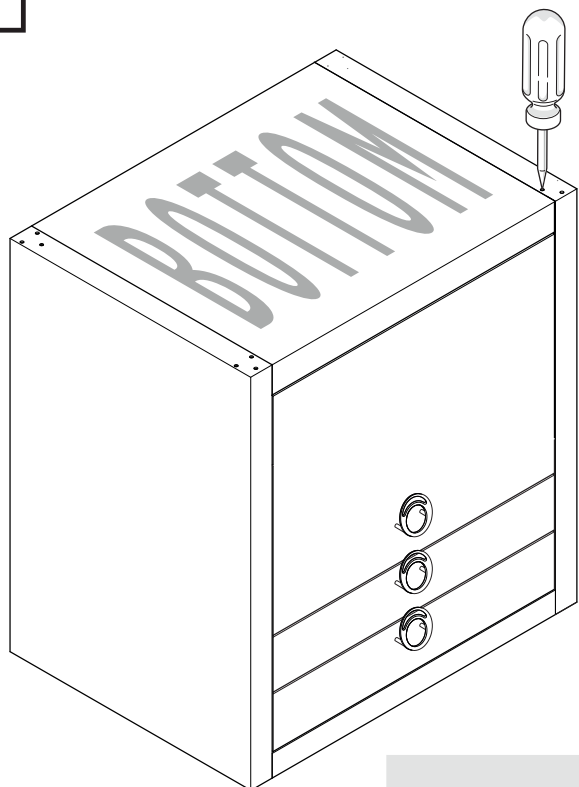
## TOOLS NEEDED FOR INSTALLATION



**Note:**  
Manufacturer is not responsible for damages caused by improper installation.

## LEG INSTALLATION :

**1.** Place the cabinet upside down.

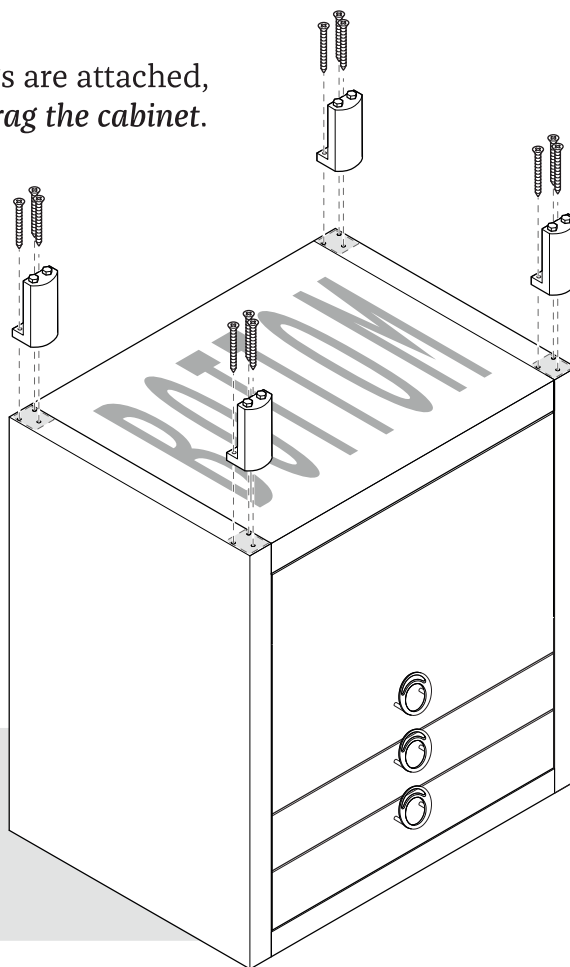


**Note:**  
In case the holes are not marked, you can mark them using a sharp tool.

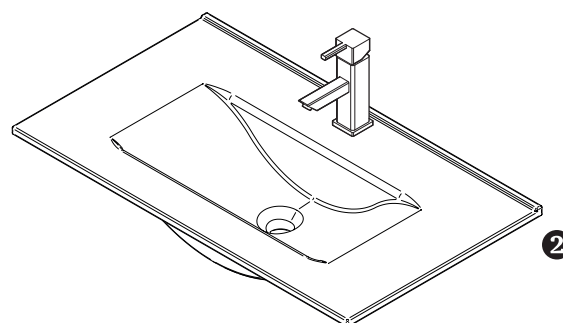
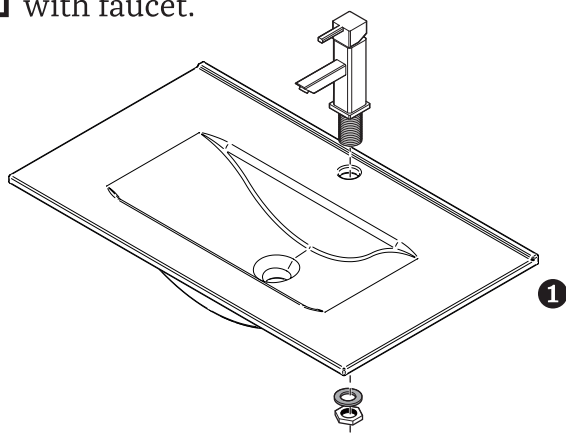
**Note:**  
To avoid scratches place cabinet on a smooth soft surface.

**2.** Attach legs to the cabinet using screws.

**Note:**  
Once legs are attached, do not drag the cabinet.



**3.** Attach the faucet to the sink and secure it with the rubber washer and the brass nut provided with faucet.



**FPVN7832**

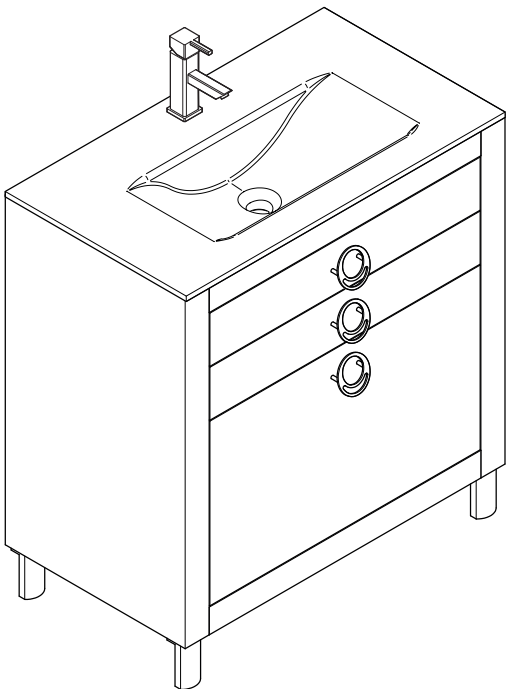
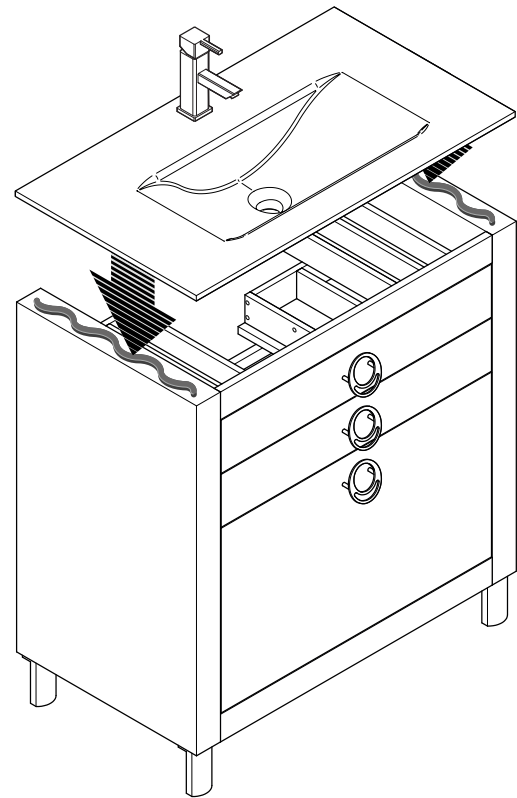
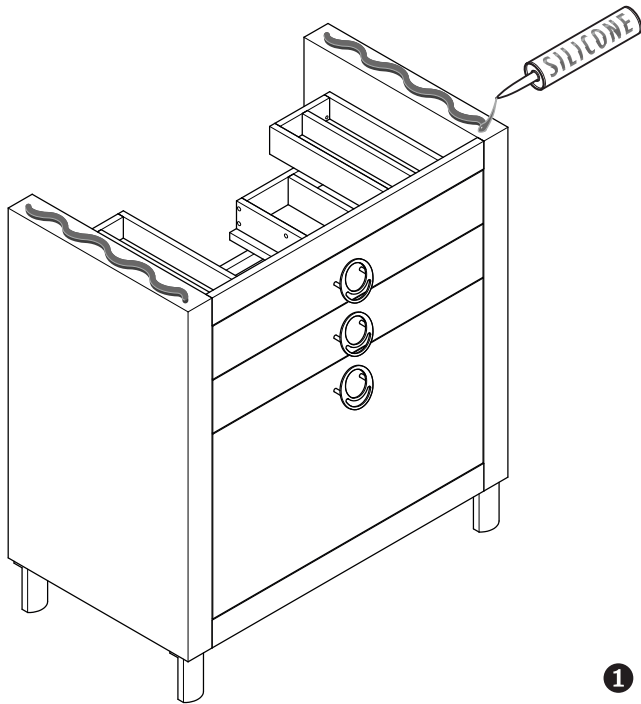
**DUE**

**INSTALLATION GUIDE**

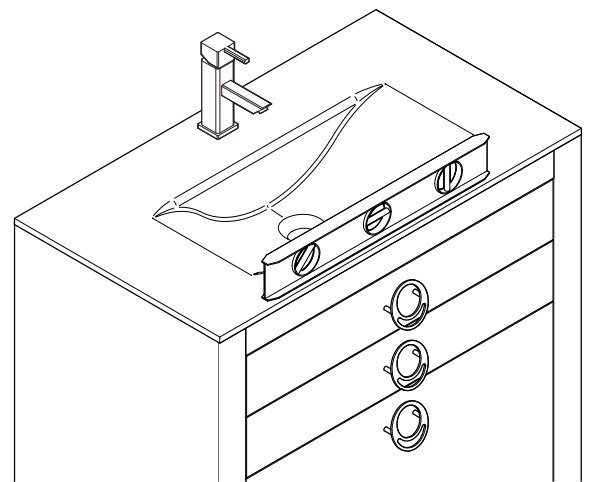
PAGE 2

# INSTALLATION INSTRUCTIONS:

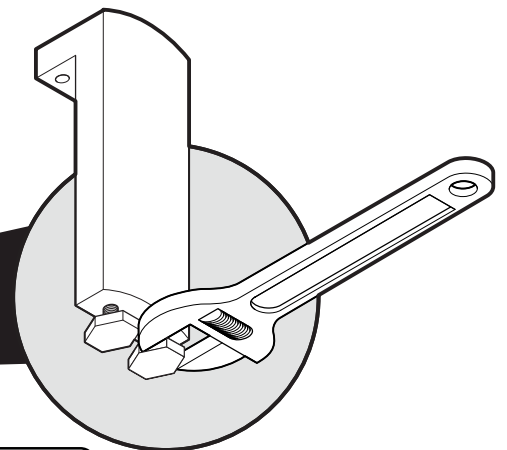
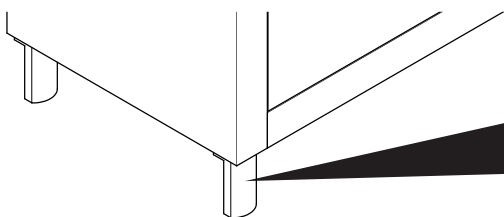
- 4.** Apply a bead of silicone on the top of the cabinet and place the sink on it.



- 5.** Place the cabinet on its legs and place the level on the top to determine if leveled.

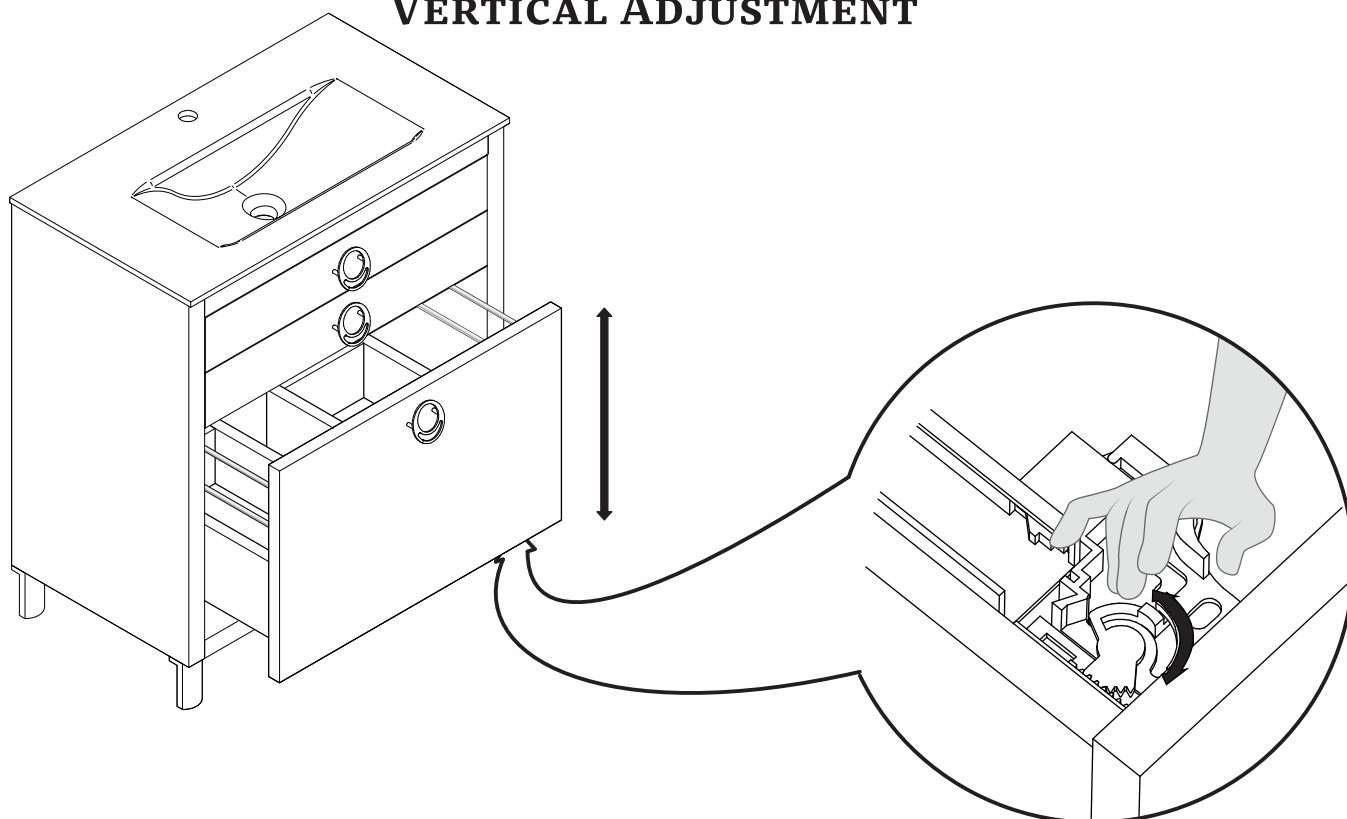


- 6.** If needed you can adjust the level of the cabinet by rotating bolts left or right on the bottom of the legs.



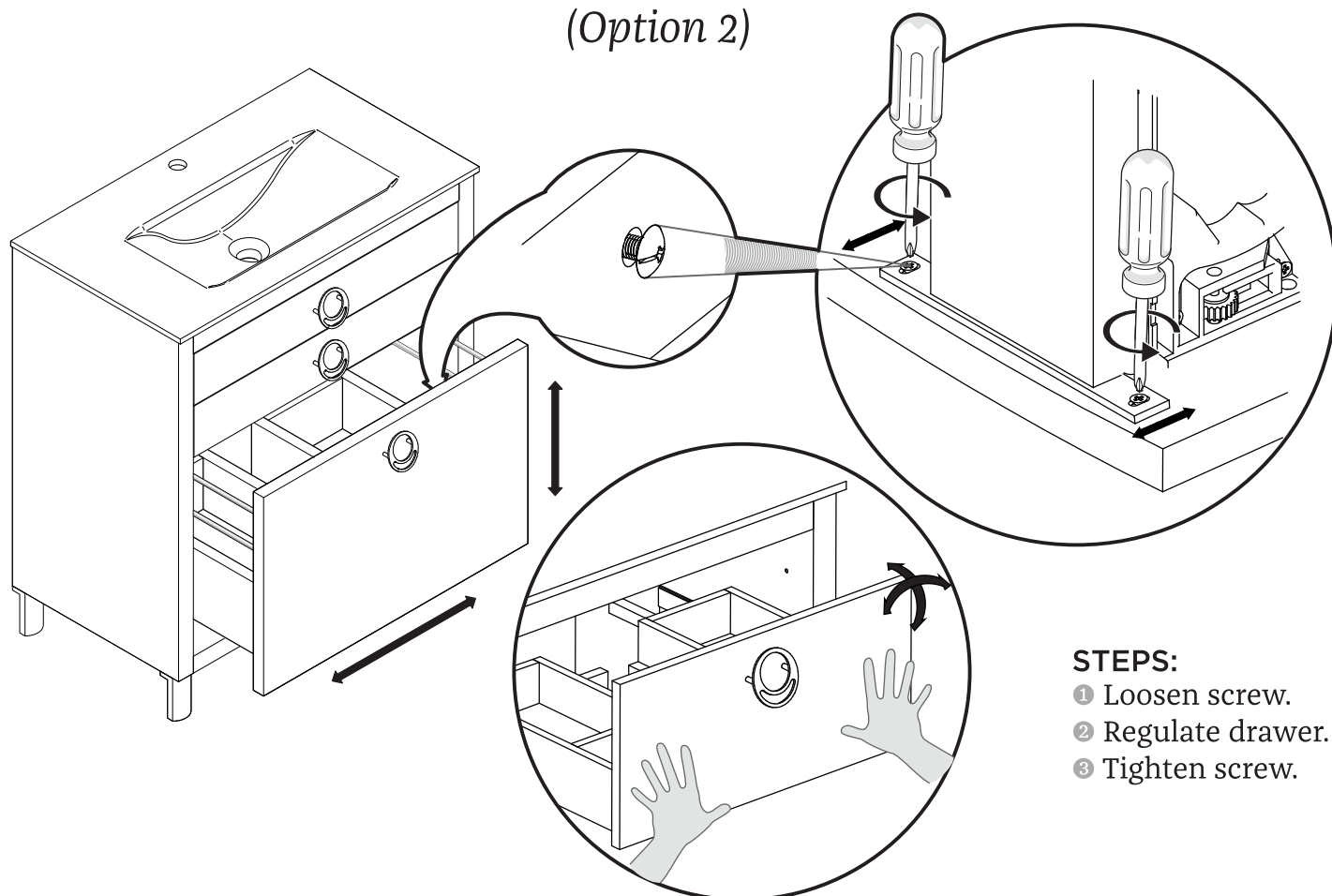
## FRONT DRAWER ADJUSTMENT:

### VERTICAL ADJUSTMENT



### VERTICAL & HORIZONTAL ADJUSTMENT

(Option 2)



#### STEPS:

- 1 Loosen screw.
- 2 Regulate drawer.
- 3 Tighten screw.



**FPVN7832**

**DUE**

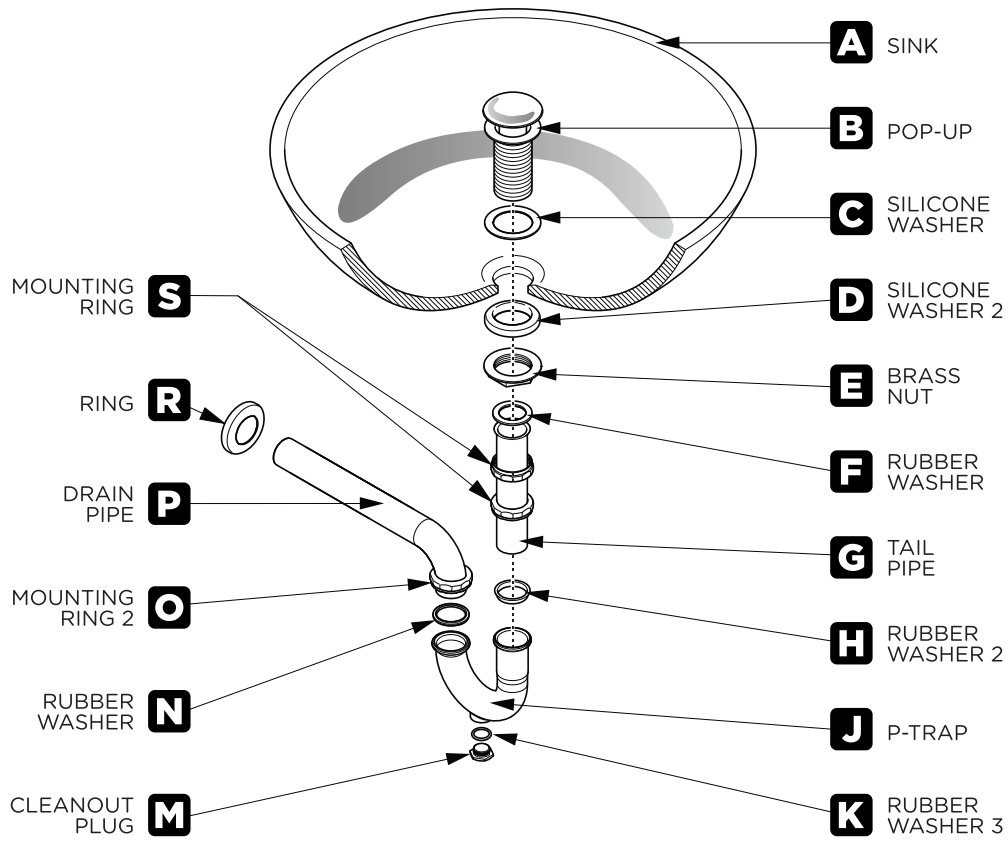
**INSTALLATION GUIDE**

PAGE 4

# POP-UP & P-TRAP

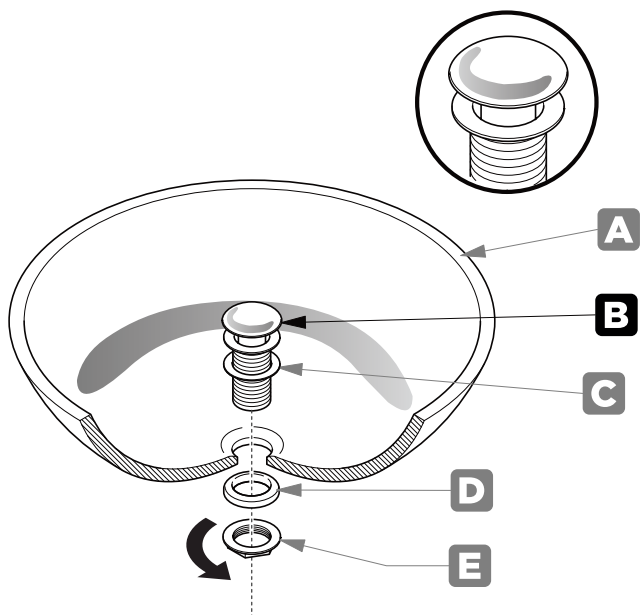
## INSTALLATION INSTRUCTIONS:

Your item may appear slightly different from the illustration.



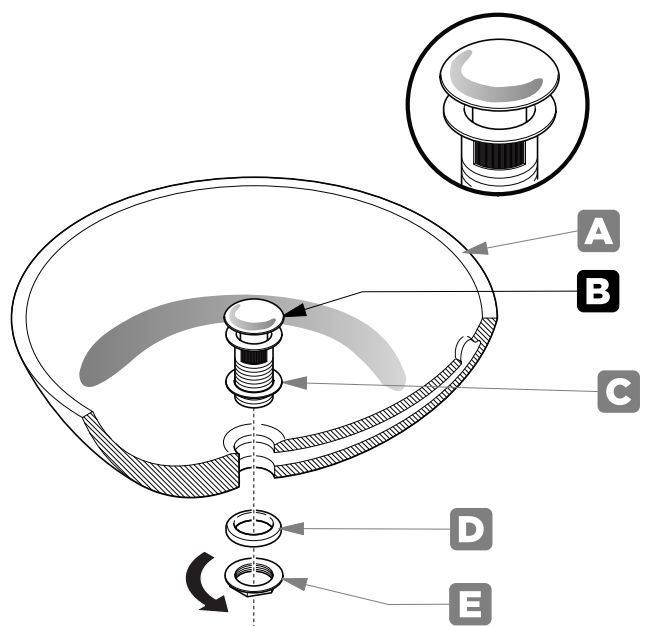
## POP-UP INSTALLATION

FOR SINKS  
WITHOUT OVERFLOW



OR

FOR SINKS  
WITH OVERFLOW



FPVN7832

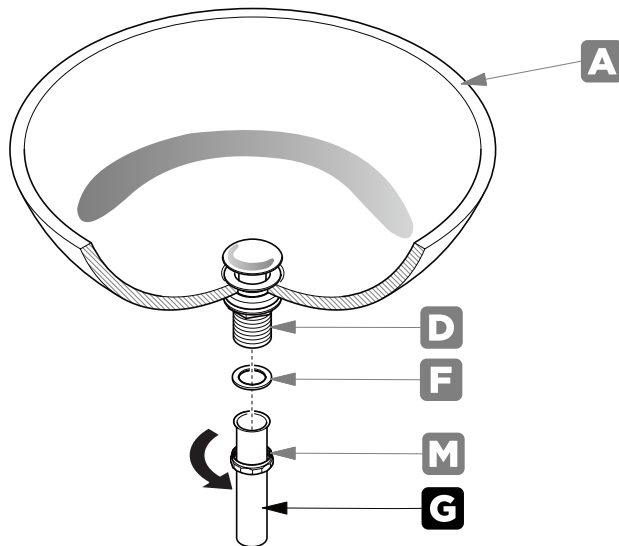
DUE

INSTALLATION GUIDE

PAGE 5

# P-TRAP INSTALLATION

**1.** Install tail pipe (G).



**2.** Install P-trap (J).

