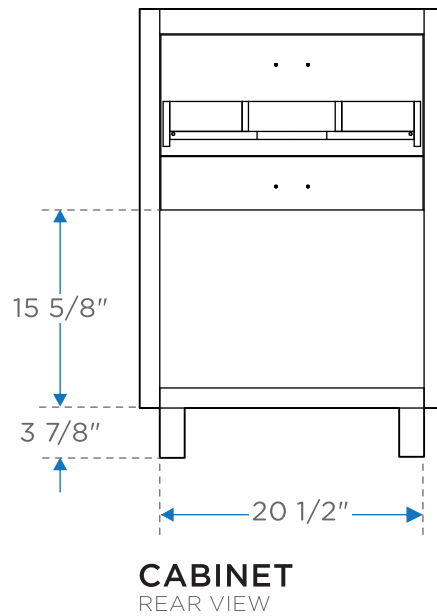
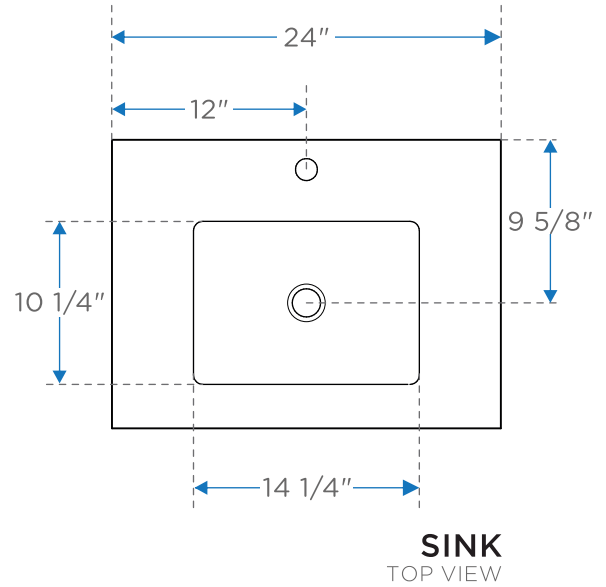
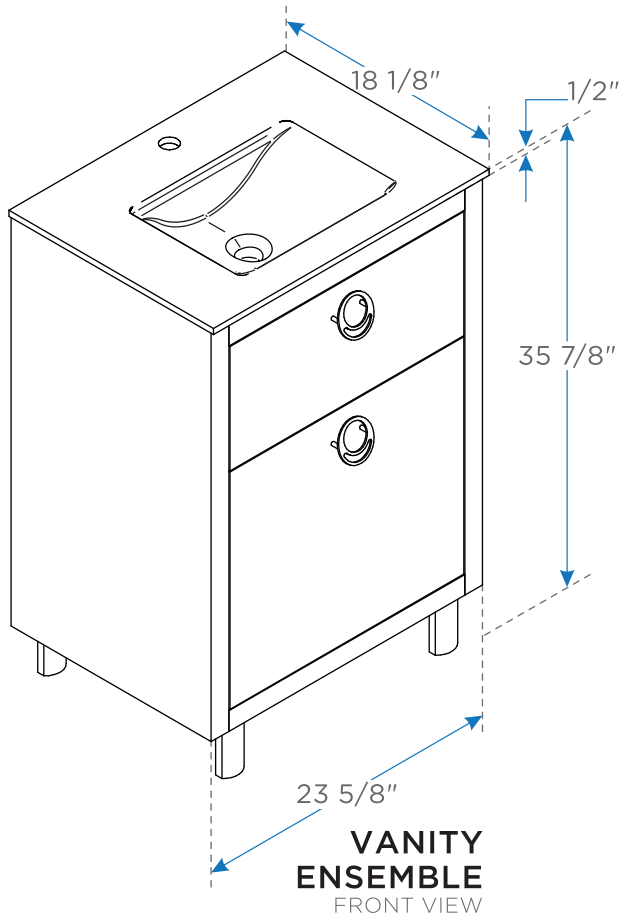




FPVN7824
Due
 INSTALLATION GUIDE



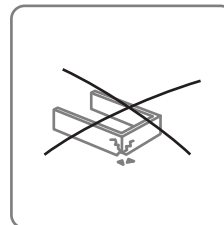
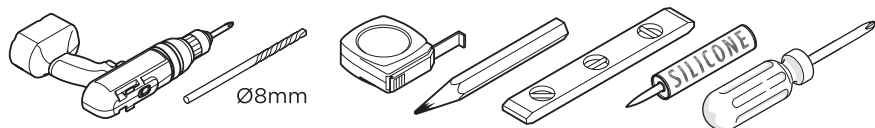
Note: Please read assembly instructions carefully before the installation.



ALL DIMENSIONS & SPECIFICATIONS ARE APPROXIMATE AND SUBJECT TO CHANGE WITHOUT NOTICE.

INSTALLATION INSTRUCTIONS:

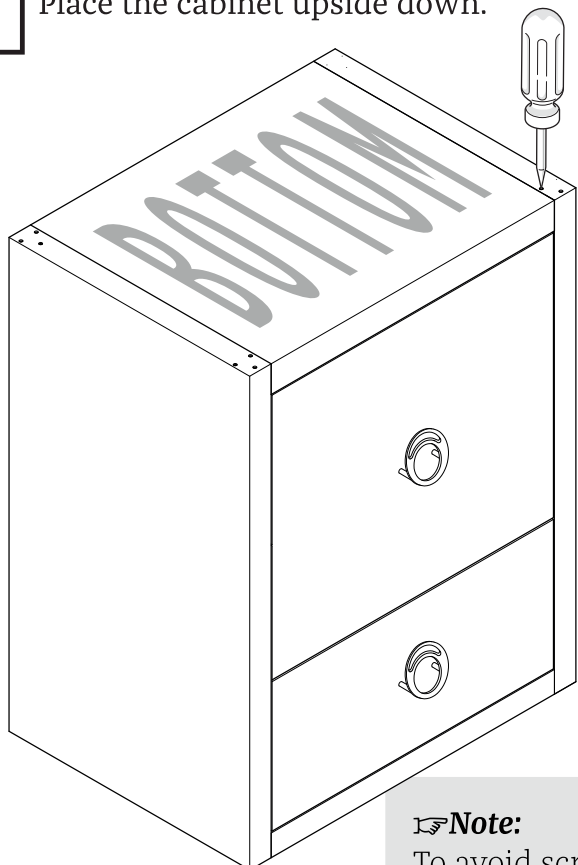
TOOLS NEEDED FOR INSTALLATION



Note:
Manufacturer is not responsible for damages caused by improper installation.

LEG INSTALLATION :

- 1.** Place the cabinet upside down.

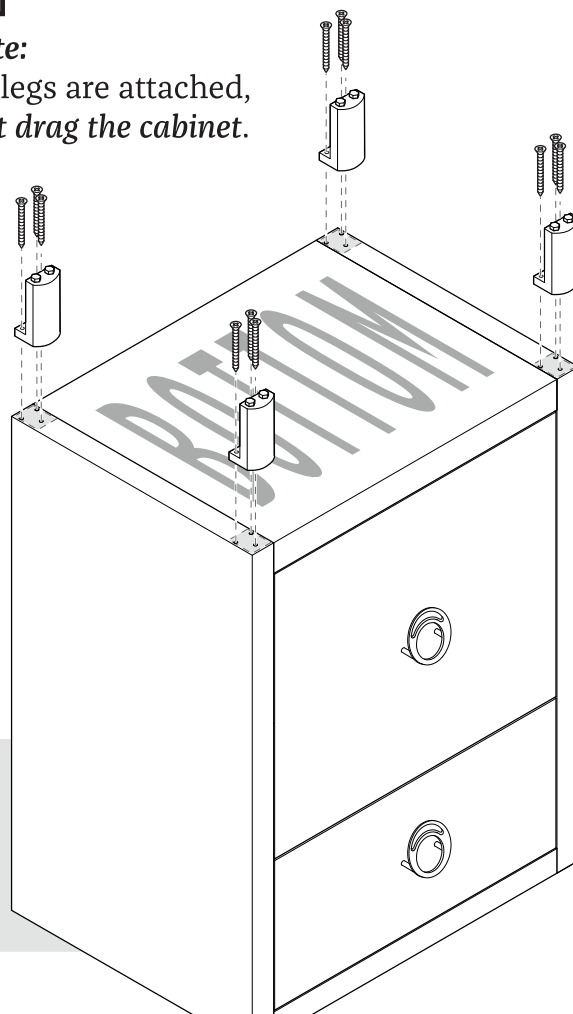


Note:
In case the holes are not marked, you can mark them using a sharp tool.

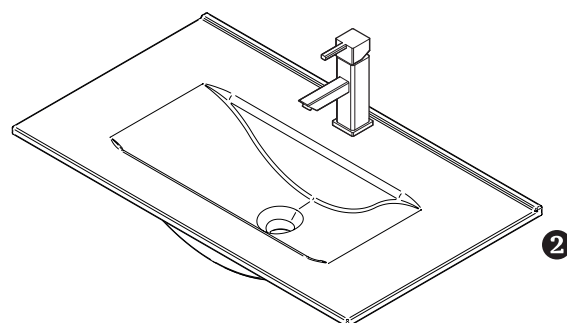
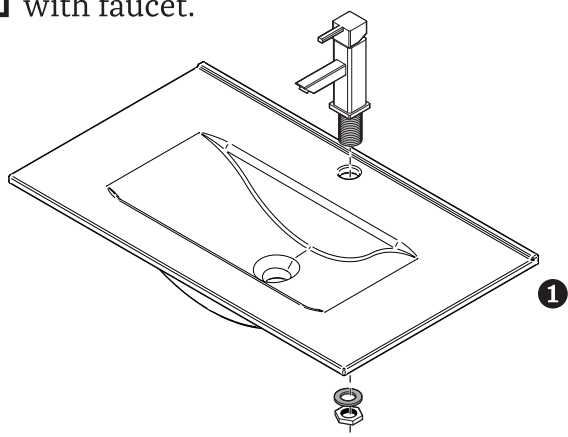
Note:
To avoid scratches place cabinet on a smooth soft surface.

- 2.** Attach legs to the cabinet using screws.

Note:
Once legs are attached, do not drag the cabinet.

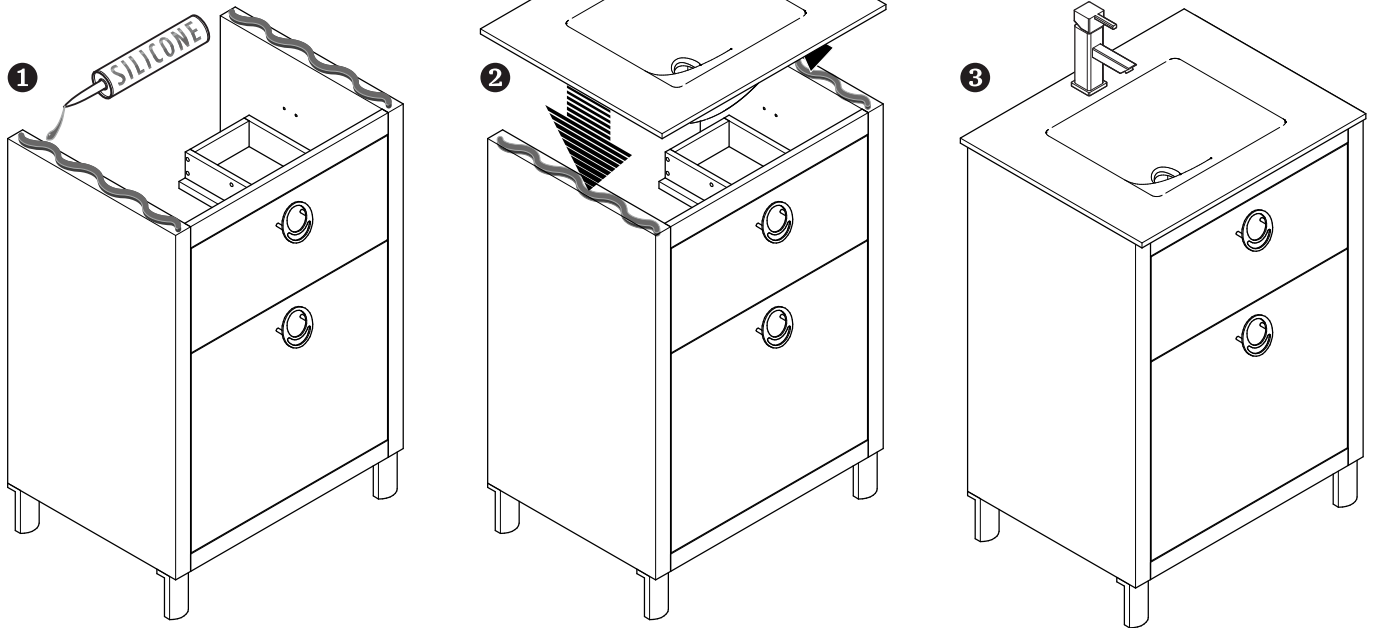


- 3.** Attach the faucet to the sink and secure it with the rubber washer and the brass nut provided with faucet.

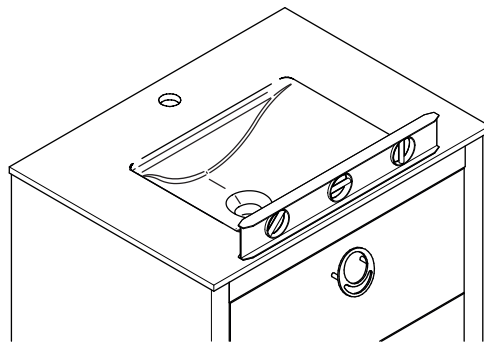


INSTALLATION INSTRUCTIONS:

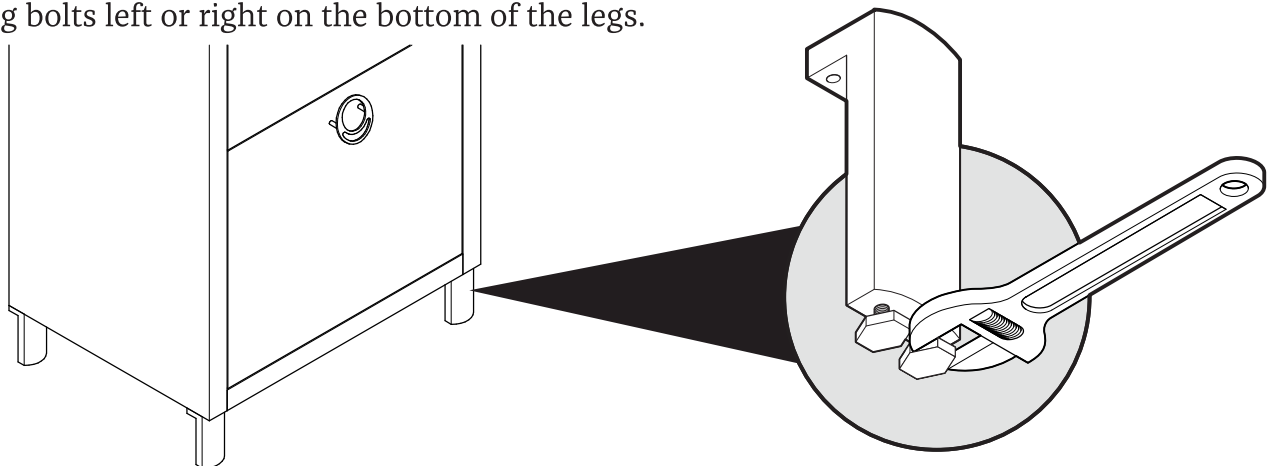
- 4.** Apply a bead of silicone on the top of the cabinet and place the sink on it.



- 5.** Place the cabinet on its legs and place the level on the top to determine if leveled.

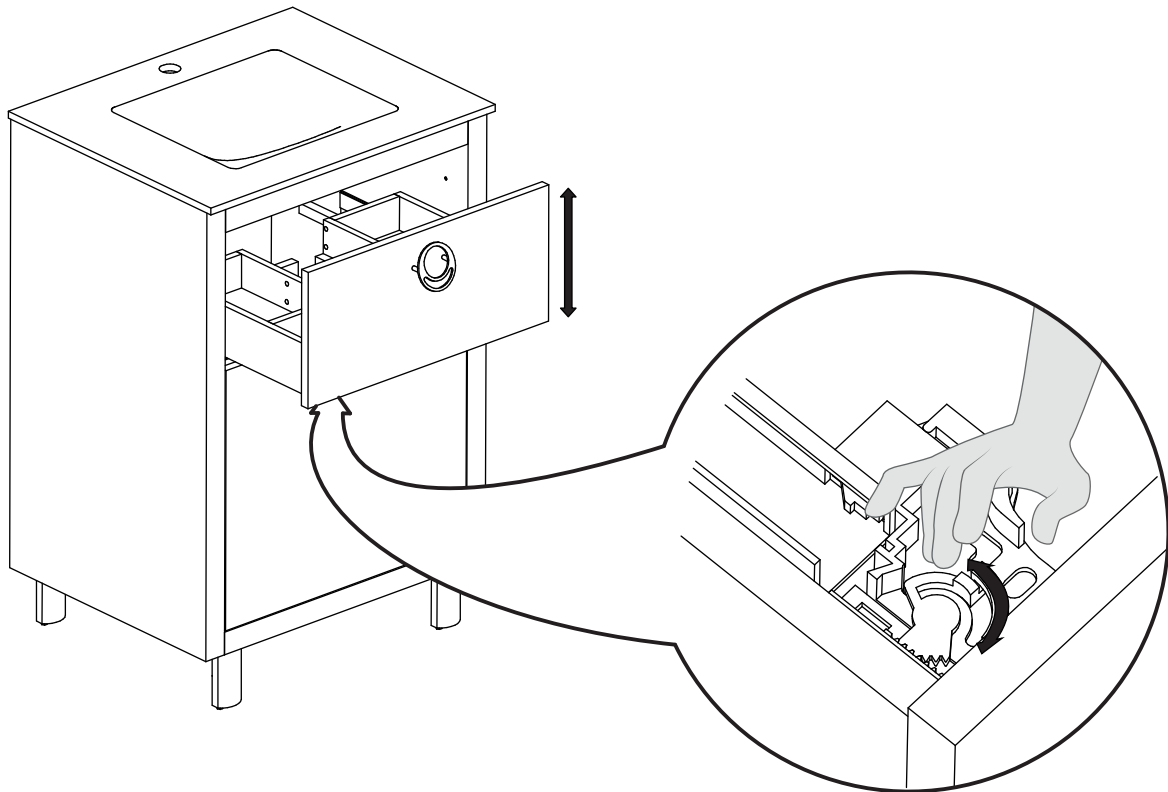


- 6.** If needed you can adjust the level of the cabinet by rotating bolts left or right on the bottom of the legs.

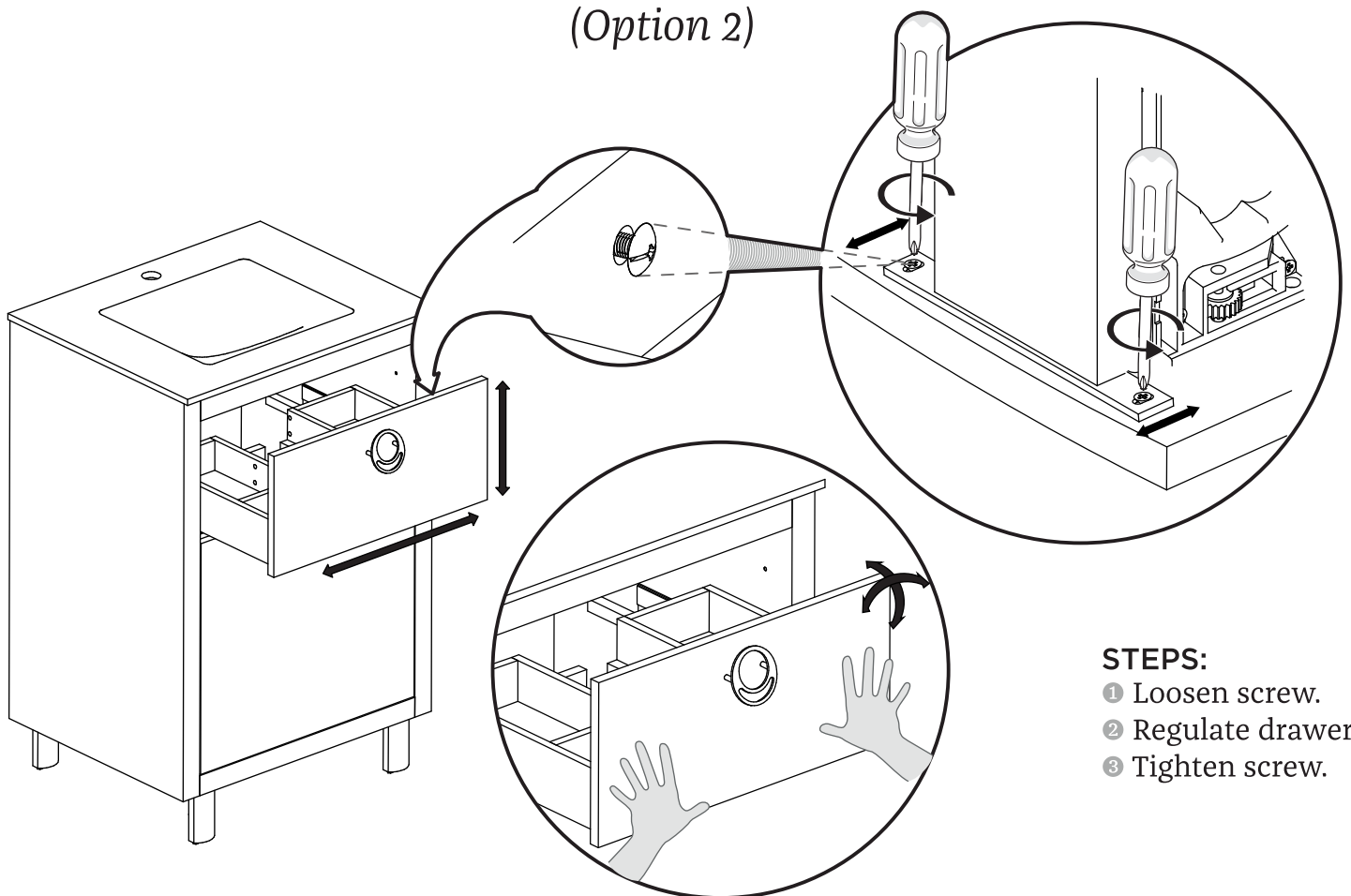


FRONT DRAWER ADJUSTMENT:

VERTICAL ADJUSTMENT



VERTICAL & HORIZONTAL ADJUSTMENT (Option 2)



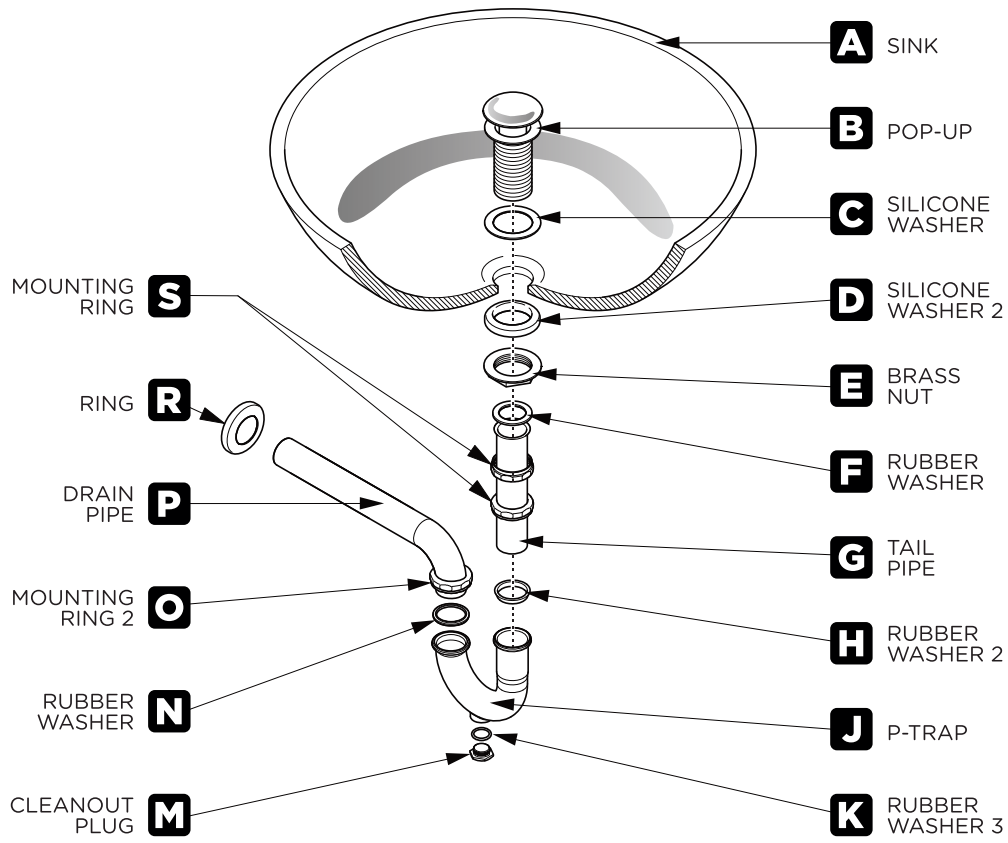
STEPS:

- 1 Loosen screw.
- 2 Regulate drawer.
- 3 Tighten screw.

POP-UP & P-TRAP

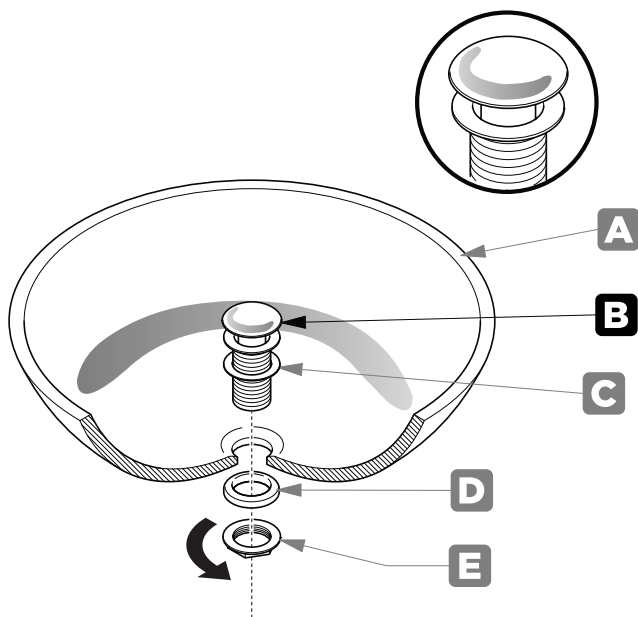
INSTALLATION INSTRUCTIONS:

Your item may appear slightly different from the illustration.



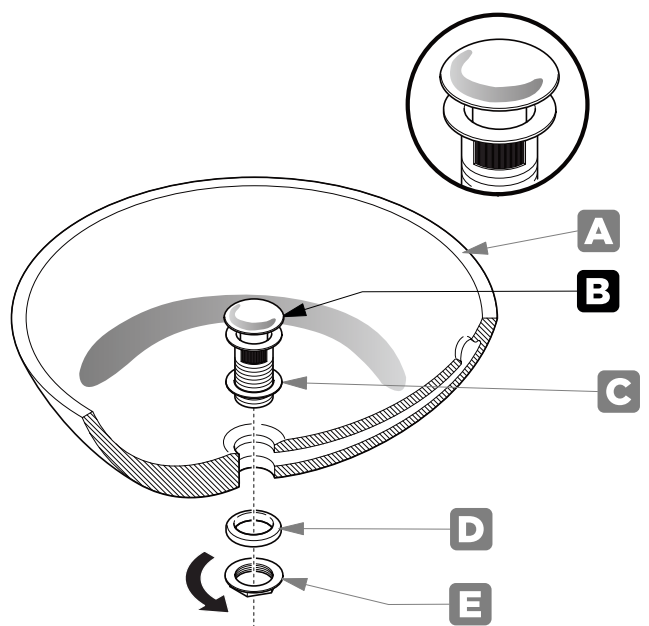
POP-UP INSTALLATION

FOR SINKS
WITHOUT OVERFLOW



OR

FOR SINKS
WITH OVERFLOW



FPVN7824

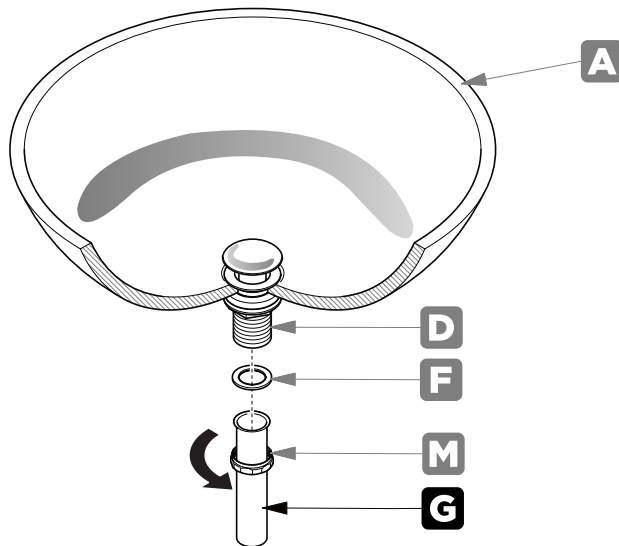
DUE

INSTALLATION GUIDE

PAGE 5

P-TRAP INSTALLATION

1. Install tail pipe (G).



2. Install P-trap (J).

