



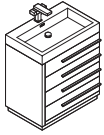
# FVN8030

# LIVELLO

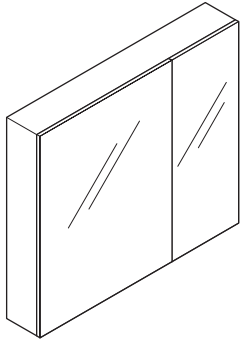
## INSTALLATION GUIDE

### CONTENTS:

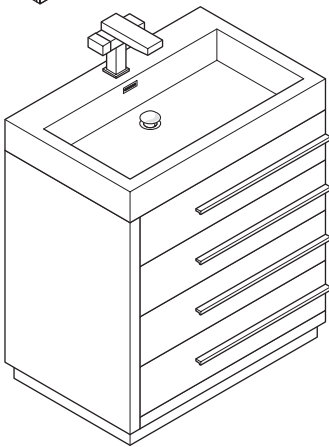
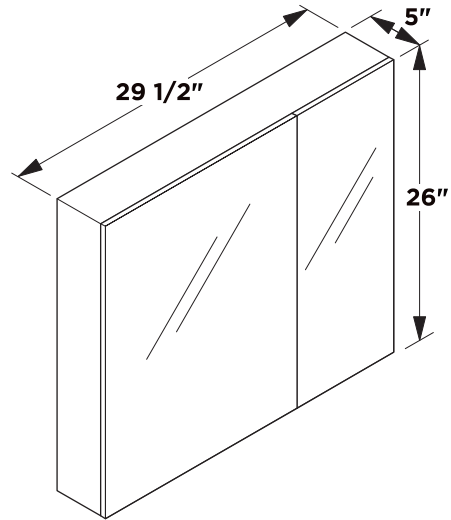
Cabinet.....(FCB8030).....	PAGE <b>3</b>
Sink.....(FVS8030).....	PAGE <b>3</b>
Medicine Cabinet (FMC8090).....	PAGE <b>4</b>



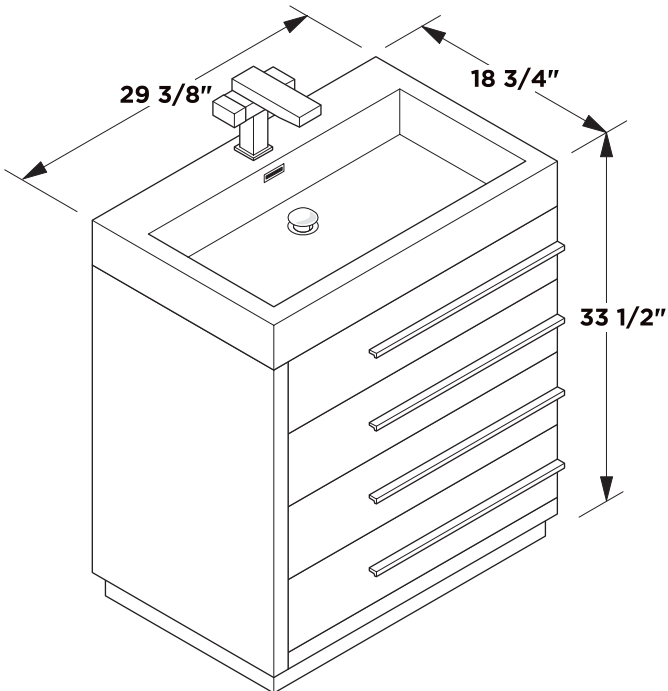
# FVN8030 LIVELLO INSTALLATION GUIDE



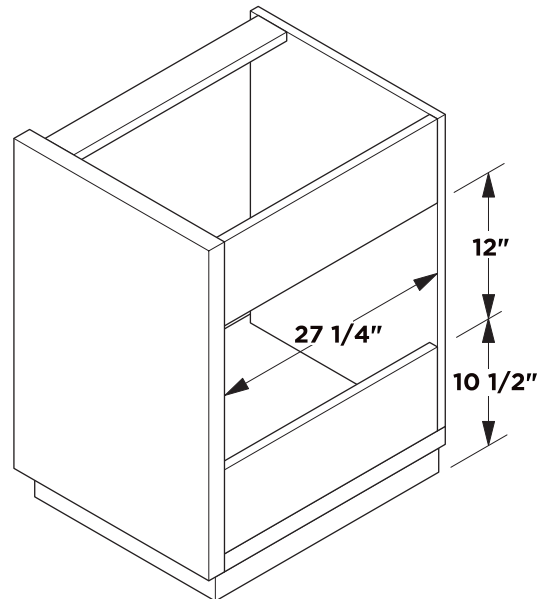
Medicine Cabinet



Vanity Front

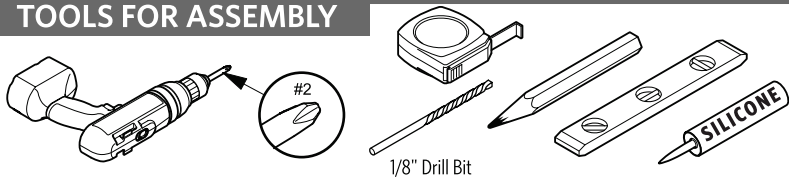


Vanity Back



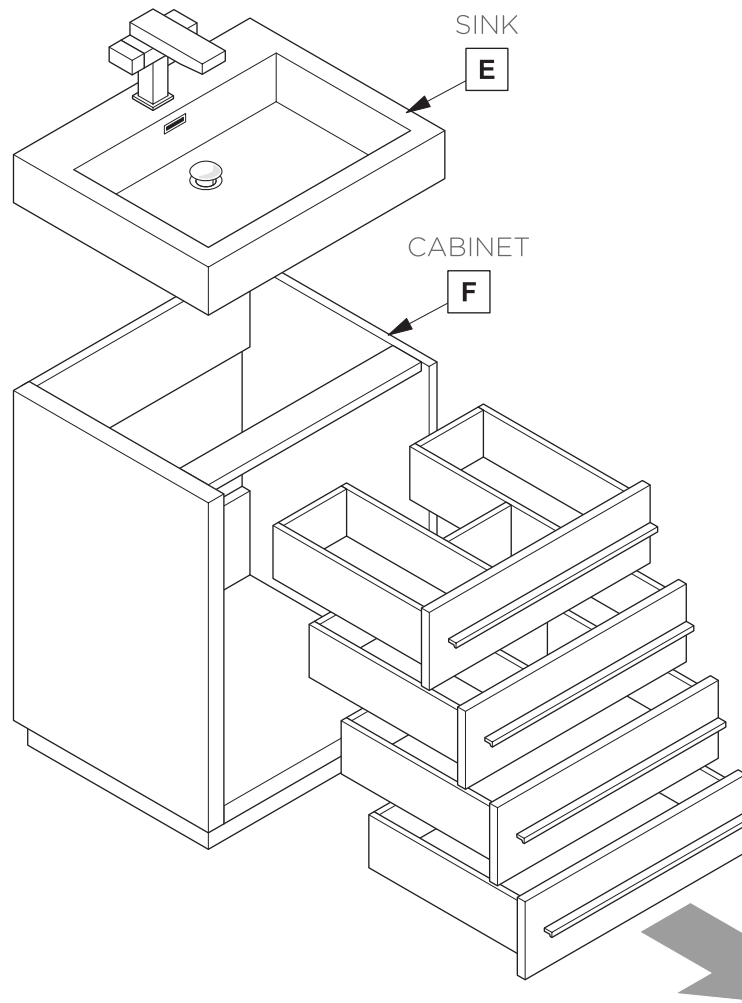
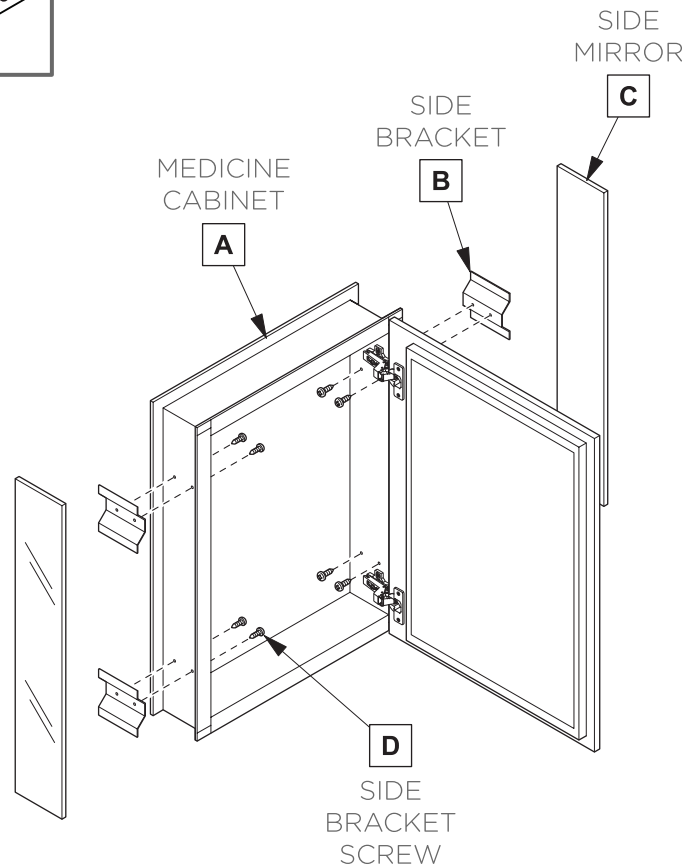
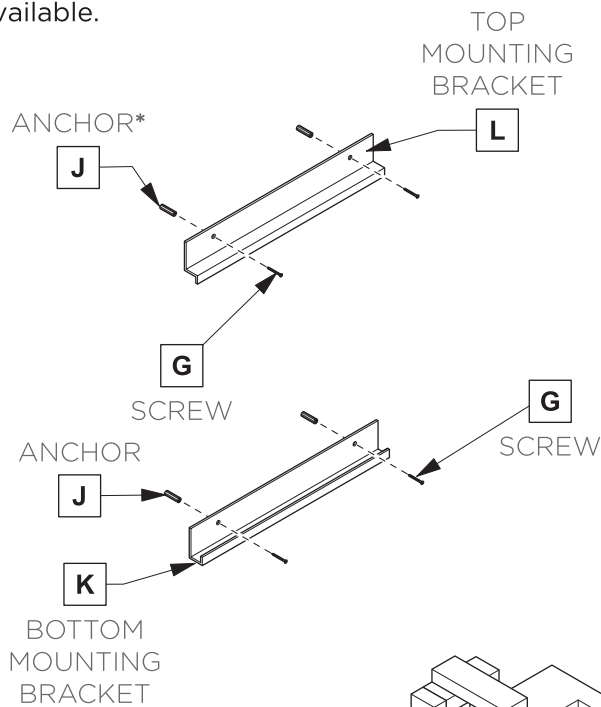
**NOTE:** ALL DIMENSIONS & SPECIFICATIONS ARE APPROXIMATE AND SUBJECT TO CHANGE WITHOUT NOTICE.

## TOOLS FOR ASSEMBLY



## PARTS

**\*Note:** Only use anchors (**J**) if stud (2"x4" frame) is not available.



**FVN8030**

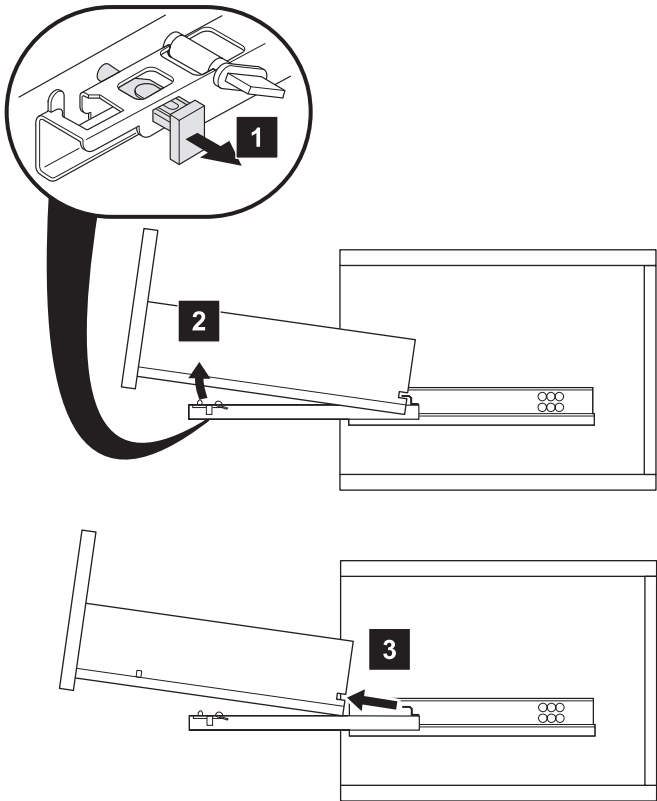
**LIVELLO**

**INSTALLATION GUIDE**

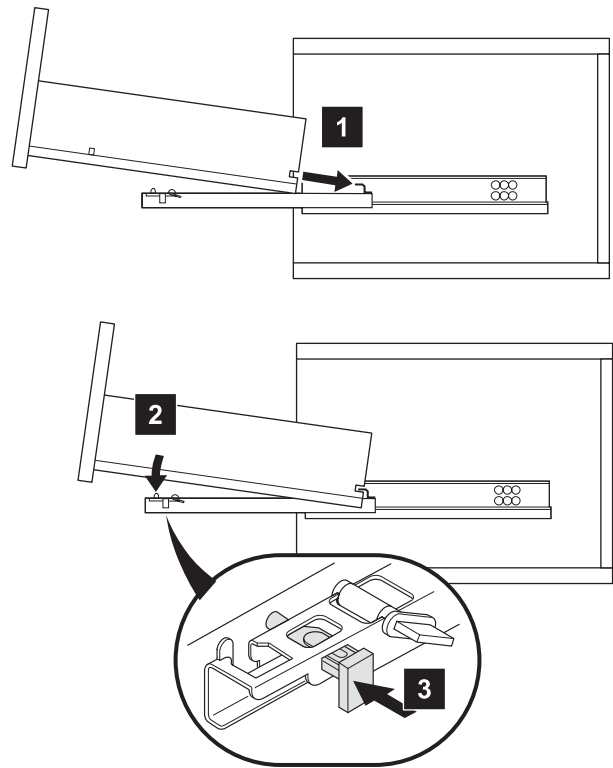
PAGE 2

# DRAWER REMOVAL & INSTALLATION

## REMOVAL

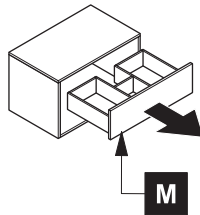


## INSTALLATION

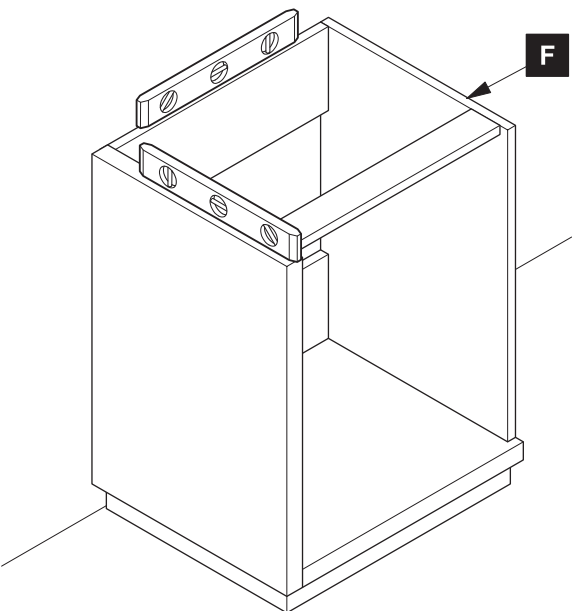


**1** Remove drawer (M)

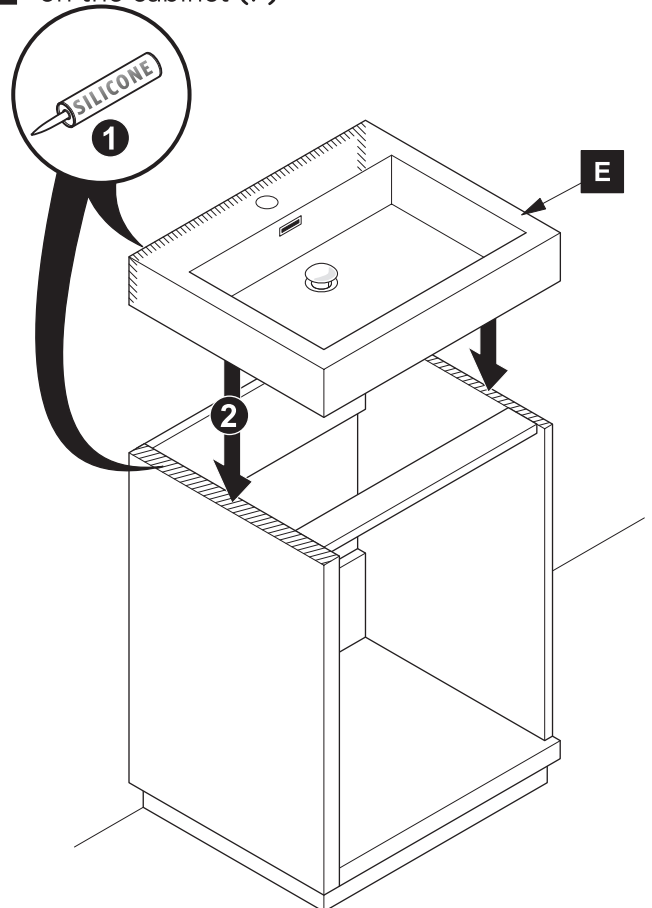
**2** Install cabinet (F)



**NOTE:** Consult an expert for the proper screws/bolts to use when attaching to various constructions. Screws provided **do not** attach to all wall construction types.

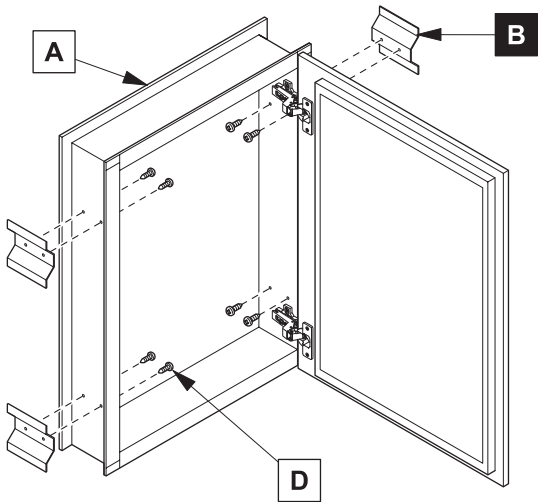


**3** Apply silicone and place sink (E) on the cabinet (F)

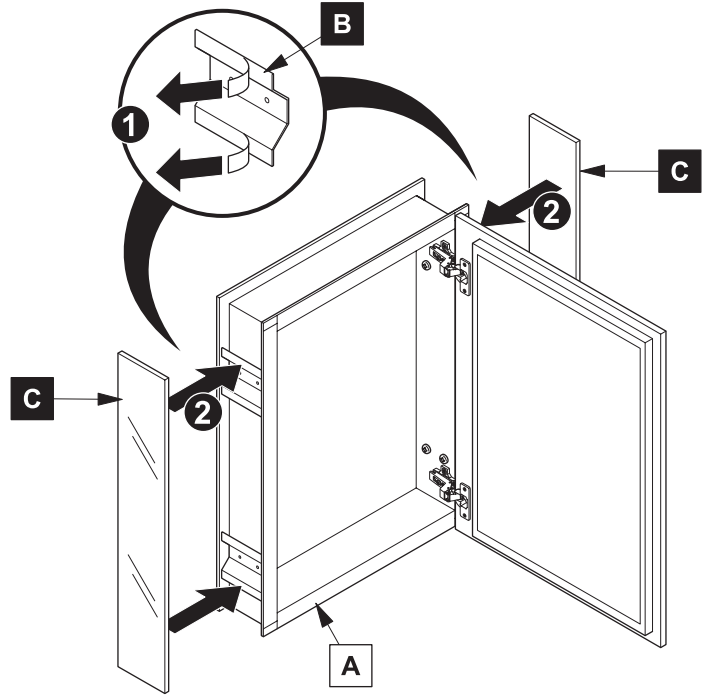


# MEDICINE CABINET INSTALLATION

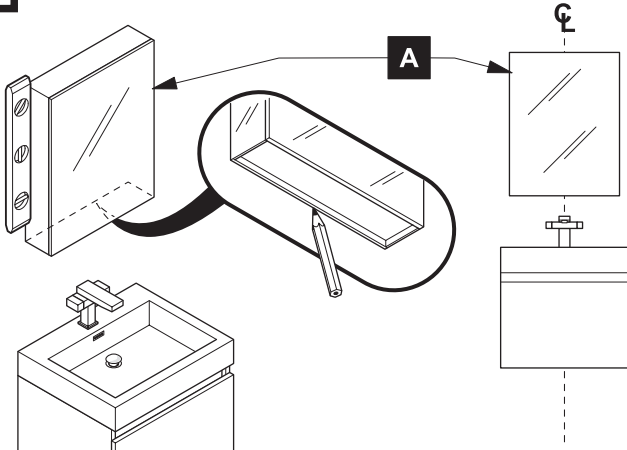
## 1 Locate cabinet (A) & mark location



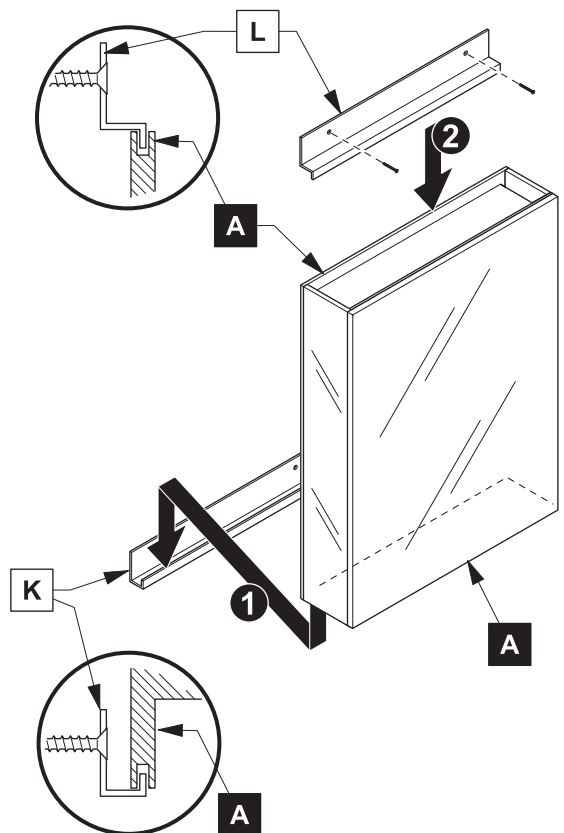
## 2 Install side mirrors (C)



## 3 Place cabinet (A) to the wall & mark location

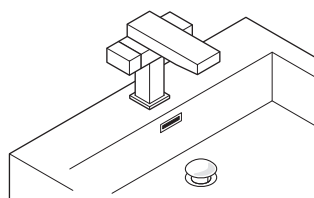
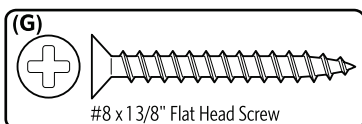
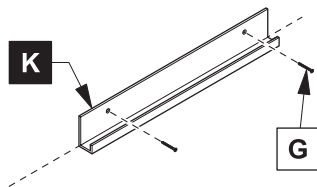


## 5 Place cabinet (A) on the bottom bracket (K) & secure cabinet with a top bracket (L)



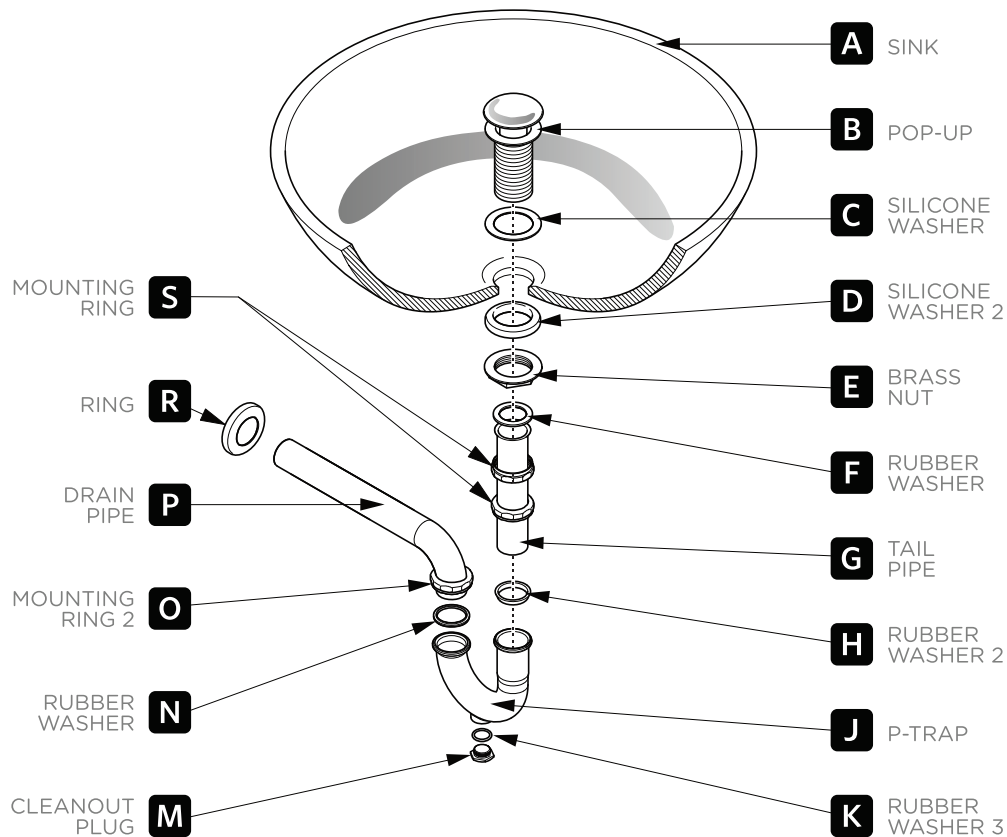
## 4 Install bottom bracket (K) to the wall

**NOTE:** Consult an expert for the proper screws/bolts to use when attaching to various constructions. Screws provided do not attach to all wall construction types.



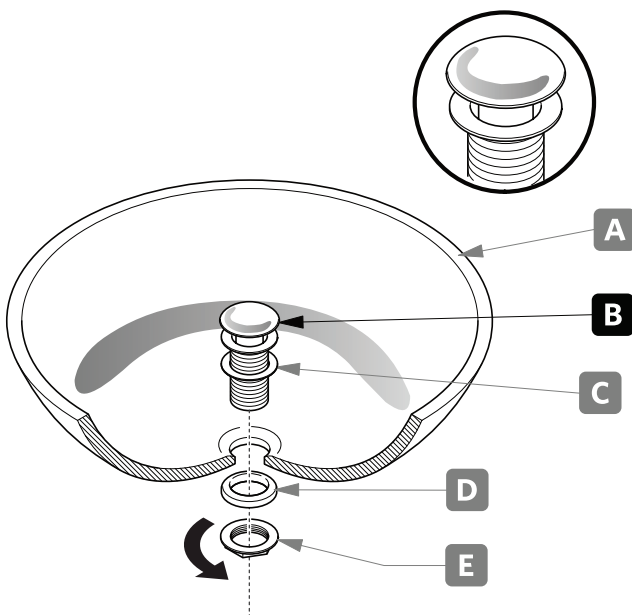
# P-TRAP & POP-UP INSTALLATION INSTRUCTIONS

Your item may appear slightly different from the illustration.



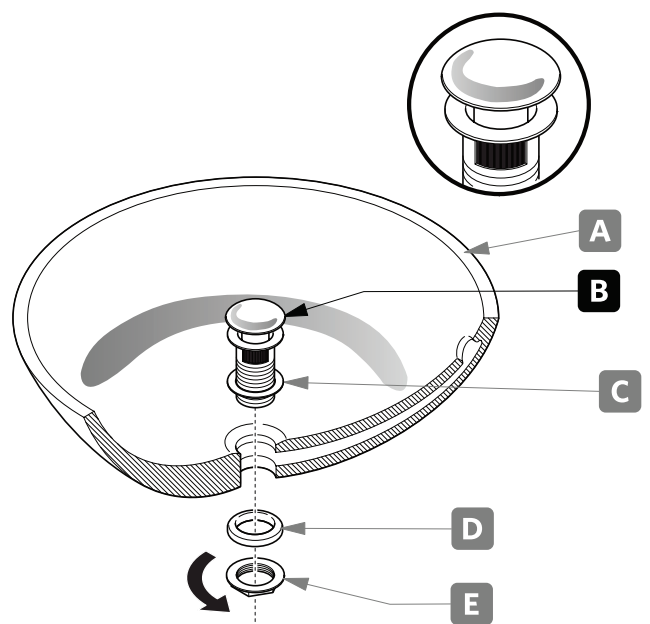
## POP-UP INSTALLATION

**FOR SINKS  
WITHOUT OVERFLOW**



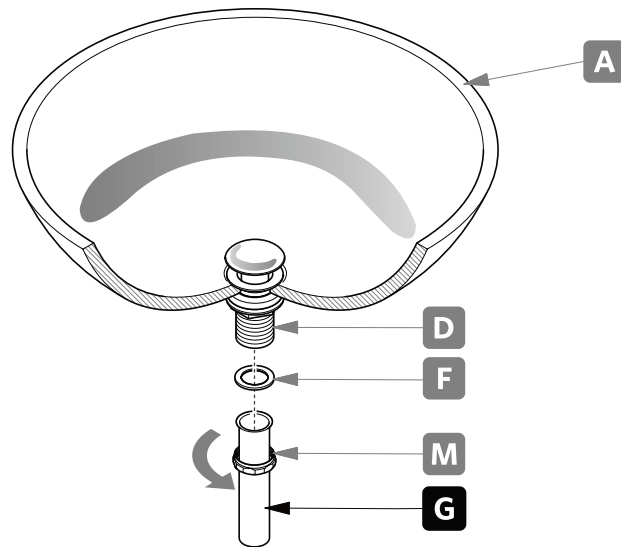
OR

**FOR SINKS  
WITH OVERFLOW**



# P-TRAP INSTALLATION

**1.** Install tail pipe (G).



**2.** Install P-trap (J).

