



CANDELLA

FR40409PRN

Bulbs: 150W MED. Replacement Parts: SHADE: R40409SH

ASSEMBLY INSTRUCTIONS

Assembly of this fixture will be accomplished by first assembling the main body, installing the mounting hardware to the junction box, making all necessary electrical connections, hanging the fixture and then attaching the fixture glass.

SAFETY WARNING: Read wiring and grounding instructions [FRIS 18] and any additional directions. Turn power supply off during installation. If new wiring is required, consult a qualified electrician or local authorities for code requirements.

STEP 1

Note: It will be necessary to determine the length of rods you will require to hang your fixture at the desired height. After this has been established, please follow the instructions below.

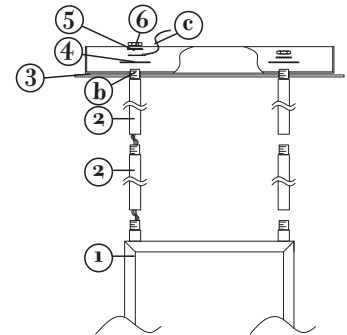
- 1 Assemble the rods (2), starting at the top of the fixture yoke (1) and tighten them in position - see drawing 1.
- 2 Slip decorative plate (3) over threaded stems (b) extending from tops of assembled rods.
- 3 Slip holes in canopy over threaded stems (b) extending from the tops of the assembled rods (2).
- 4 Slip washer (4) and lock washer (5) over threaded stem (b).
- 5 Thread hex nut (6) onto threaded stem (b) and tighten.

STEP 3 Refer to Hanging Instruction Sheet [FRIS19-06] to hang fixture. Then refer back to this sheet to install the fixture glass.

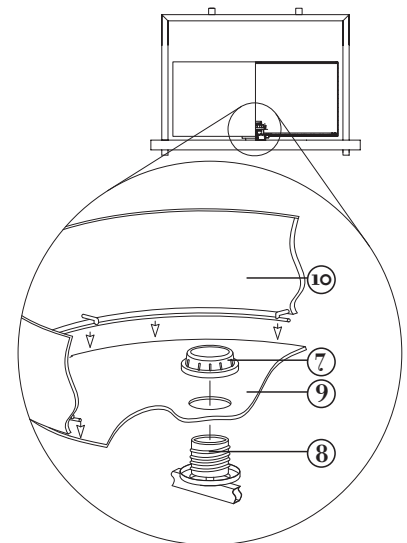
STEP 4

- 1 To install glass, remove socket ring (7) from socket (8) - see drawing 2.
- 2 Slip glass lens (9) over socket (8).
- 3 Thread socket ring (7) onto socket (8) and tighten to secure lens.
- 4 Fixture can now be lamped accordingly.
- 5 Slip shade (10) over bulb and glass lens (9) with the metal ring inside the shade on the bottom.
- 6 Metal ring on inside of shade rests on glass lens (9). It may be necessary to center the shade on the lens.
- 7 Repeat steps 1-6 for 2 remaining shades.

[DRAWING 1]



[DRAWING 2]



FREDRICK RAMOND
ESTABLISHED 1965

800.421.3517 WWW.FREDRICKRAMOND.COM

5.26.09