

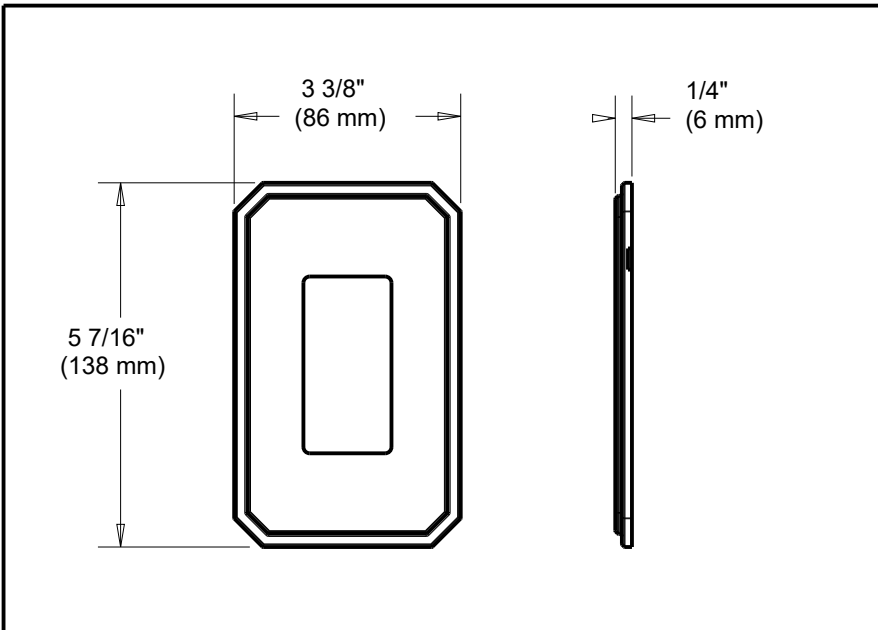
DELTA[®]

ACCESSORIES

- Stepped Geometric Concealed Mount Single Decorator Wall Plate

Submitted Model No.: _____

Specific Features: _____



STANDARD SPECIFICATIONS:

Delta reserves the right (1) to make changes in specifications and materials, and (2) to change or discontinue models, both without notice or obligation. Dimensions are for reference only. See current full-line price book or www.deltafaucet.com for finish options and product availability.

TDS 46474 - Rev.A



Liberty Hardware Manufacturing Corporation
140 Business Park Drive, Winston-Salem, NC 27107
1.800.964.4850 • www.libertyhardware.com
© 2023 LHMC, A Masco Company