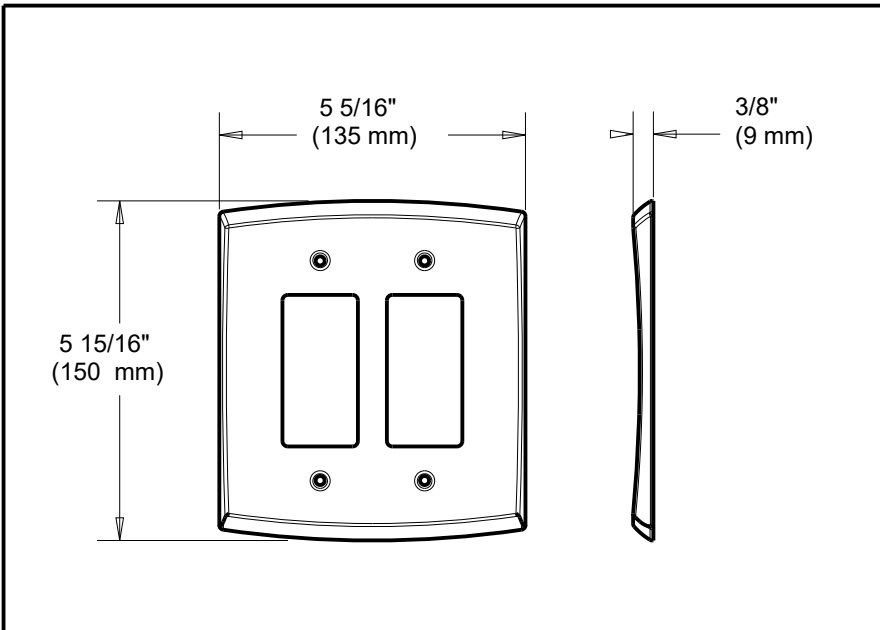


**DELTA**  
**ACCESSORIES**

- Soft Arch Jumbo Double Decorator Wall Plate

Submitted Model No.: \_\_\_\_\_

Specific Features: \_\_\_\_\_



**STANDARD SPECIFICATIONS:**

Delta reserves the right (1) to make changes in specifications and materials, and (2) to change or discontinue models, both without notice or obligation. Dimensions are for reference only. See current full-line price book or [www.deltafaucet.com](http://www.deltafaucet.com) for finish options and product availability.

TDS 35898 - Rev.A



*Liberty Hardware Manufacturing Corporation*  
140 Business Park Drive, Winston-Salem, NC 27107  
1.800.964.4850 • [www.libertyhardware.com](http://www.libertyhardware.com)  
© 2023 LHMC, A Masco Company