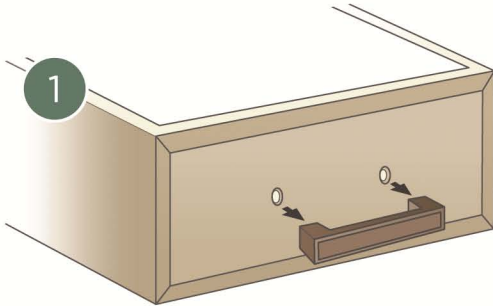
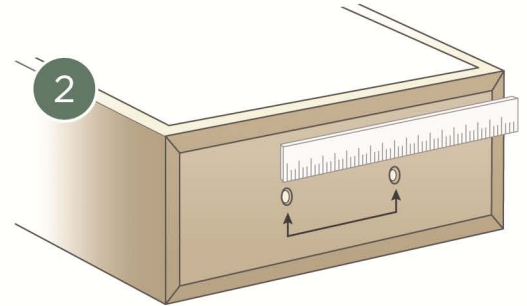


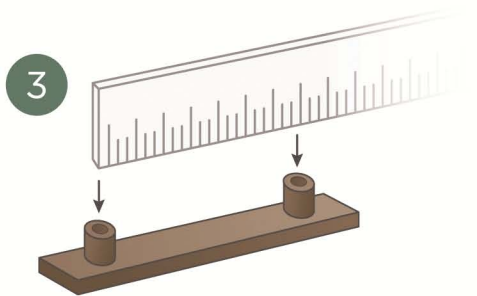
CABINET AND DRAWER PULL MEASUREMENT GUIDE



(AT HOME)
REMOVE OLD HARDWARE



(AT HOME)
MEASURE SCREW HOLES CENTER TO CENTER



**MAKE SURE THE CENTER TO CENTER
DIMENSIONS OF THE CABINET PULL
MATCH THE SCREW HOLE DIMENSIONS**

- Center to Center (CTC) is the distance between the center of the left and right screw holes
- The actual cabinet pull length may be longer than the center to center measurement