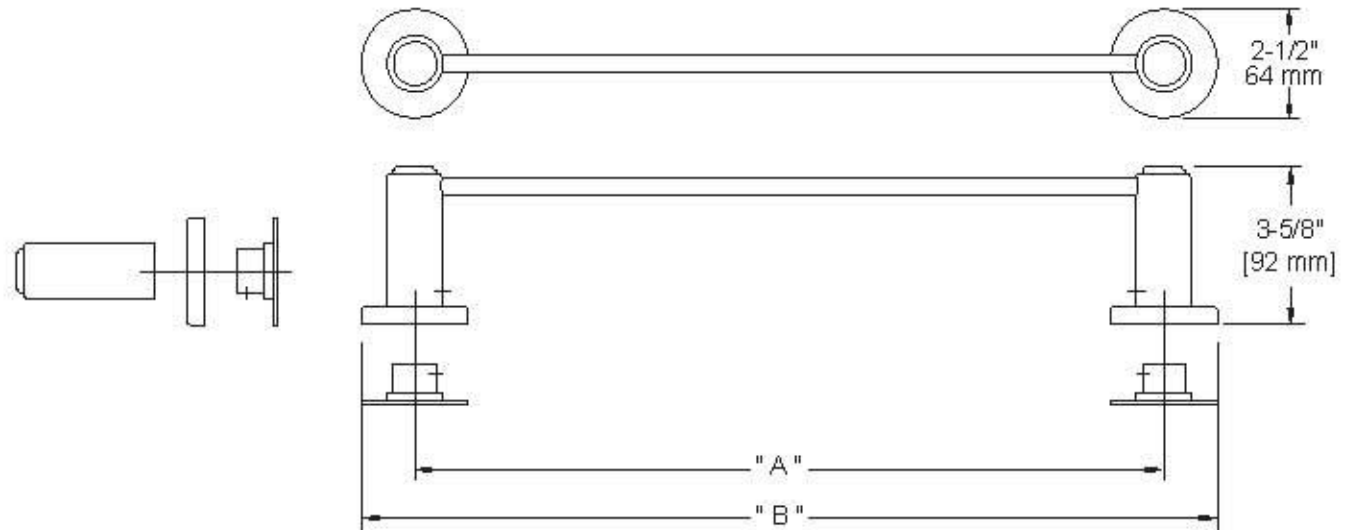


TECHNICAL DATA

Temptra[®]

18 in., 24 in. & 30 in. TOWEL BAR



MATERIALS: Wall Flange and Projecting Posts - Stamped Brass
 Bars - 3/4" Diameter .020 Brass Tubing
 Wall Plate - 1/8" Thick Die Cast Zinc with 1" Diameter
 Projecting Stud

INSTALLATION: Mount wall plate bracket(s) per installation instructions with supplied fasteners. Slip product over wall plate(s) and tighten set screws until secure.

OPTIONAL FASTENER INFORMATION:
 Wood blocking is preferable behind all wall surfaces. If wood blocking is not available, the following fasteners are suggested: Tile/Masonry - Plastic or Lead Anchors, Plaster/Drywall - Toggle Bolts.

SPECIFICATION: Surface mounted towel bar shall be model _____
 (fill in model number) by Liberty Hardware Manufacturing Corporation.

LENGTH	18" (457 mm)	24" (610 mm)	30" (762 mm)
DIM "A"	18-1/4" (464 mm)	24-1/4" (616 mm)	30-1/4" (768 mm)
DIM "B"	20-3/4" (527 mm)	26-3/4" (679 mm)	32-3/4" (832 mm)