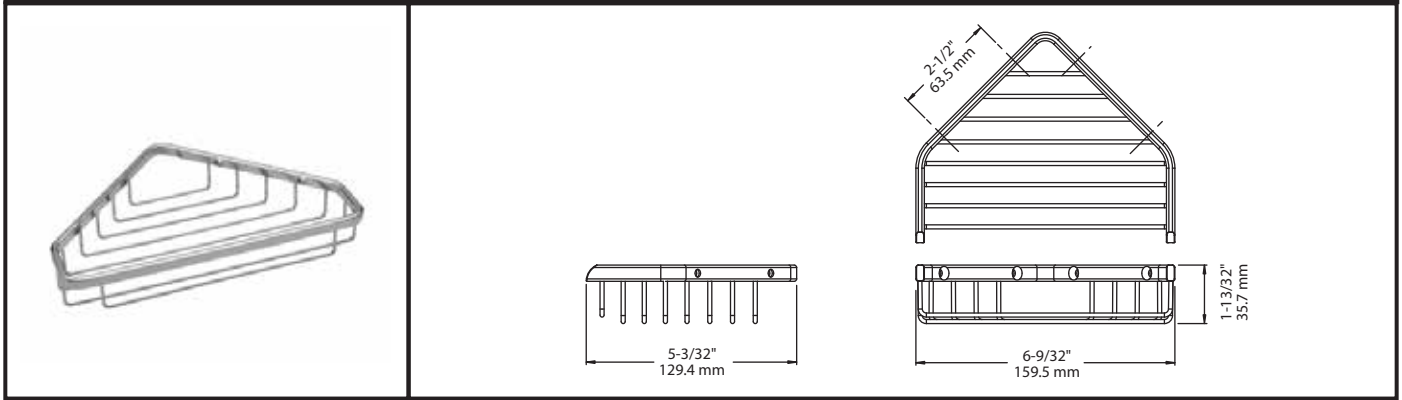


# TECHNICAL DATA

## Guest Room Accessories

## SMALL CORNER CADDY



**INSTALLATION:** Position corner caddy on wall at desired location and mark hole locations with nail or punch. Mount holder with 4 - #8 x 1-1/4" round head zinc plated steel screws provided.