

# TECHNICAL DATA

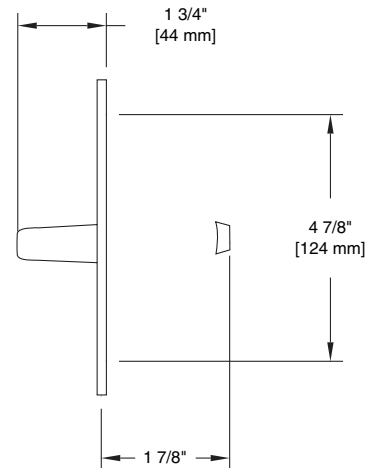
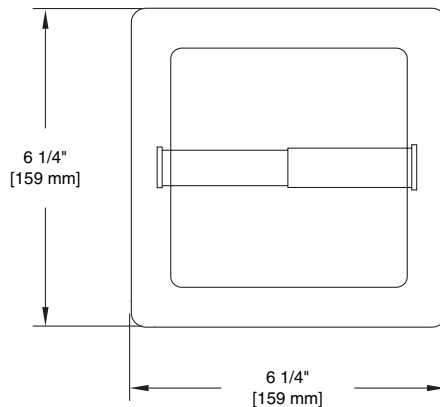
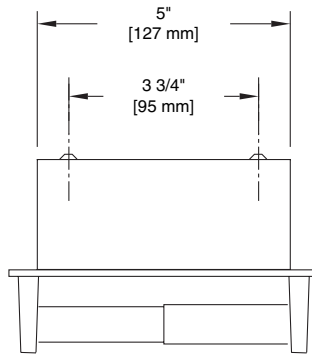
**LIBERTY HARDWARE®**  
MANUFACTURING CORPORATION

A Masco Company

140 Business Park Drive • Winston-Salem, NC 27107  
800.542.3789 • T 336.769.4077 • F 336.769.1839  
www.libertyhardware.com

## RECESSED TOILET PAPER HOLDER

607, 657 & 1607 Series



### MATERIALS:

Chrome plated recess shells are stamped from 21 gauge (23 gauge on 1607) special alloy brass strip, highly polished and chrome plated. Stainless steel recess shells are stamped from 22 gauge corrosion resistant type 304 stainless steel and are polished or satined. Projecting posts are die cast from highest quality virgin zinc alloy (Zamak) to meet ASTM standard B-86. Castings are highly polished and plated. Roller material as listed under each model number. All rollers are spring actuated.

### INSTALLATION:

Cut out wall opening 5 1/4" x 5 1/4" x 2" depth (1 1/4" depth for 1607). If wood block available install recess shelf into opening using 2- #8 x 1 1/4" flathead nickel or brass plated steel (stainless steel for 657, 657SF) screws provided. If wood blocking is not available use optional 600R, 600BR, 601R or 601BR recess wall clamps.

### SPECIFICATION:

Recess paper holder shall be model \_\_\_\_\_ (fill in model number) by Liberty Hardware Manufacturing Corporation.