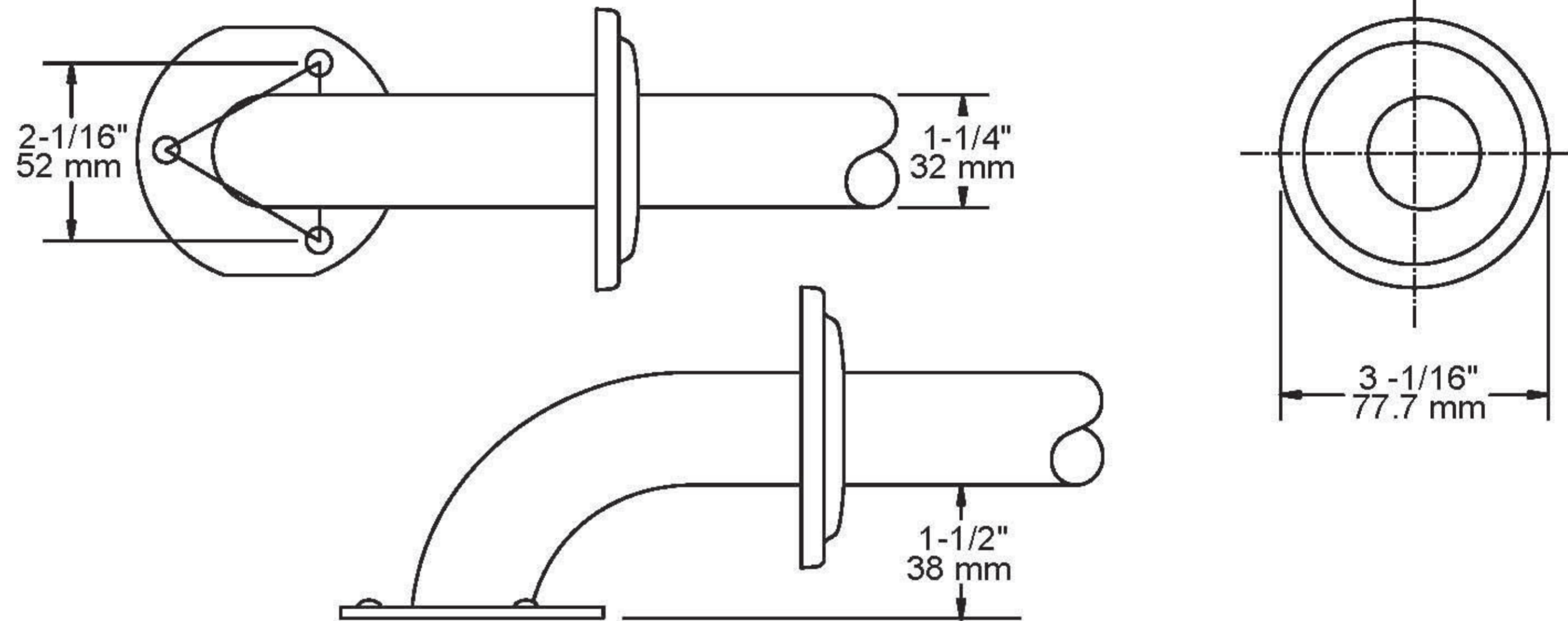


TECHNICAL DATA

Grab Bars

5900 Series



MATERIALS:

5900 (1-1/4" O.D.) tubing is (18 gauge) type 304 stainless steel with #4 satin finish. Wall flanges are (14 gauge) type 304 stainless steel. Snap lock covers are (20 gauge) stainless steel with #4 satin finish. Wall flanges are heliarc welded to tubing.

SERIES NO.	18" (457mm)	24" (609mm)	36" (914mm)
5900	5918	5924	5936

INSTALLATION:

Install grab bar with 3 - #10 x 2-1/2" pan head stainless steel screws provided for each end wall flange and 2 - #10 x 2-1/2" pan head stainless steel screws provided for each center wall flange. Slide cover flanges over wall flanges and press firmly to complete installation.

Dimensions shown are flange center to center on straight bars.

OPTIONAL FASTENER INFORMATION:

Wood blocking is preferred behind all wall surfaces. If wood blocking is not available, the following fasteners are suggested: Tile/Masonry – Plastic or Lead Anchors, Plaster/Drywall – Toggle Bolts. Note: 5900 series grab bars are engineered to meet 1000 lb. pull (500 lb. pull for 5900PB series) when properly installed. 5900 series meet ADA, and ANSI (A117.1-2003) for form and load bearing requirements.

SPECIFICATION:

Surface mounted grab bar shall be model _____
(fill in model number) by Liberty Hardware Manufacturing Corporation.