

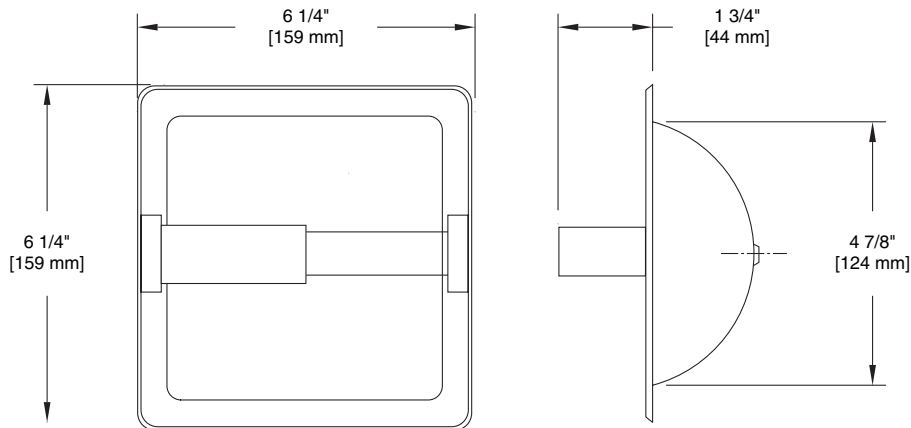
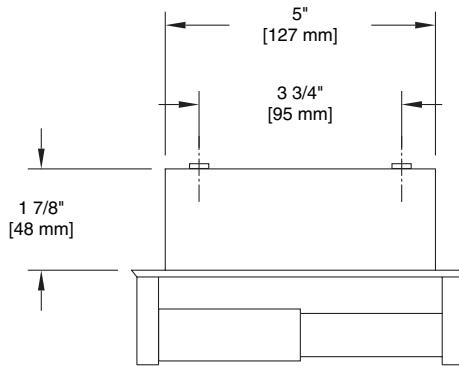
TECHNICAL DATA

LIBERTY HARDWARE[®]
MANUFACTURING CORPORATION

A Masco Company

140 Business Park Drive • Winston-Salem, NC 27107
800.542.3789 • T 336.769.4077 • F 336.769.1839
www.libertyhardware.com

CENTURY Recessed Toilet Paper Holder



MATERIALS: Stainless steel recess shells are stamped from 22 gauge corrosion resistant type 304 stainless steel and are polished or satined. Projecting posts are of 22 gauge type 304 polished or satin stainless steel. Roller material as listed under each model number. All rollers are spring actuated.

INSTALLATION: Cut out wall opening 5 1/4" x 5 1/4" x 2" depth. If wood blocking available, install recess shell into opening using 2- #8 x 1 1/4" flathead stainless steel screws provided. If wood blocking is not available, use optional 600R or 601R recess wall clamps.

SPECIFICATION: Recess paper holder shall be model _____ (fill in model number) by Liberty Hardware Manufacturing Corporation.