

TECHNICAL DATA

LIBERTY HARDWARE®

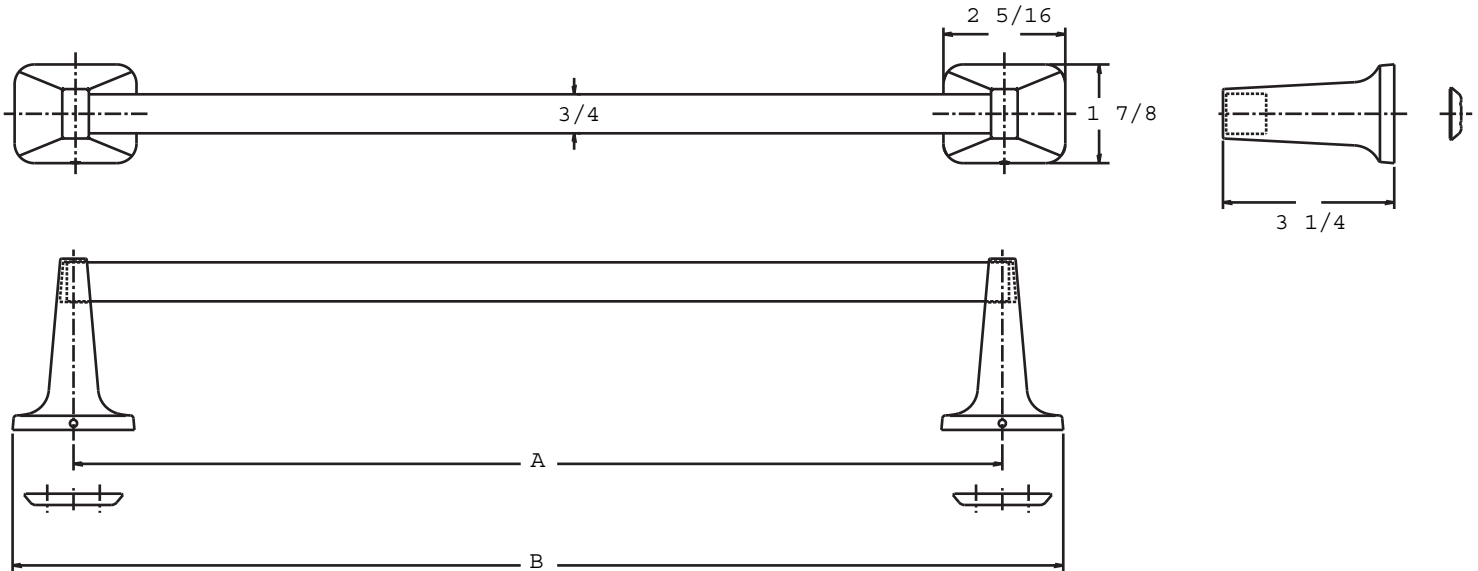
MANUFACTURING CORPORATION

A Masco Company

140 Business Park Drive • Winston-Salem, NC 27107
 800.542.3789 • T 336.769.4077 • F 336.769.1839
 www.libertyhardware.com

FUTURA®

Towel Bars



	18"	24"	30"
A	17 5/8	23 5/8	29 5/8
B	19 15/16	25 15/16	31 15/16

MATERIALS: Post - Zinc Die Cast
 18", 24", and 30" Square Bar - Aluminum; 22 Gage
 Wall Plate - Steel; 20 Gage; Zinc Plated

INSTALLATION: Mount 2 wall plates at 17 5/8" C-C for 18" bar, 23 5/8" C-C for 24" bar, and 29 5/8" C-C for 30" bar with 4 #8 x 1-1/4" round head zinc plated steel screws and plastic anchors provided.
 Slip towel bar posts over the wall plates and tighten set screws until secure.

OPTIONAL FASTENER INFORMATION: Wood blocking is preferable behind all wall surfaces. If wood blocking is not available, the following fasteners are suggested:
 Tile/Masonry - Plastic or Lead Anchors;
 Plaster/Drywall - Toggle Bolts.

SPECIFICATION: Surface mounted towel bar shall be model _____
 (fill in model number) by Liberty Hardware Manufacturing Corporation.