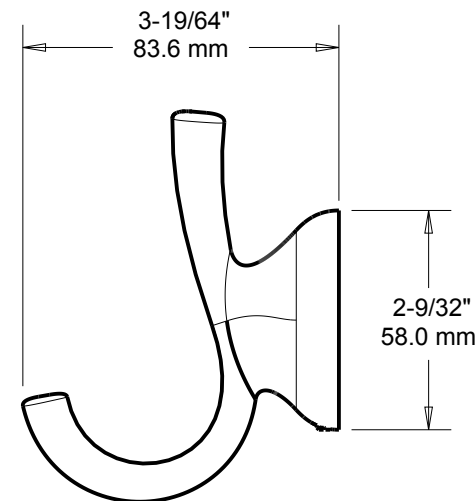
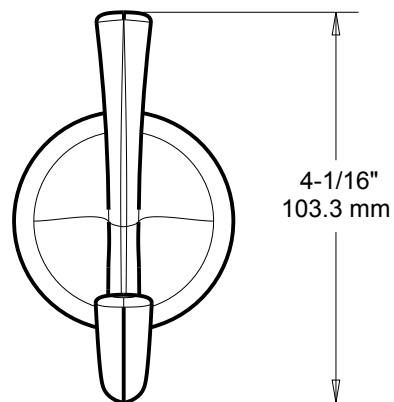
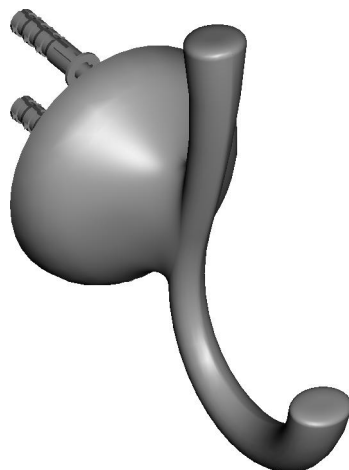


# Amesbury - Set Screw

# ROBE HOOK



**MATERIALS:** Post - Zinc Die Cast  
Wall Plate - Steel, Zinc Plated

**INSTALLATION:** Mount wall plate bracket(s) per installation instructions with supplied fasteners. Slip product over wall plate(s) and tighten set screws until secure.

**OPTIONAL FASTENER INFORMATION:**

Wood blocking is preferable behind all wall surfaces. If wood blocking is not available, the following fasteners are suggested: Tile/Masonry - Plastic or Lead Anchors, Plaster/Drywall - Toggle Bolts.

**SPECIFICATION:** Surface mounted Robe Hook shall be model \_\_\_\_\_  
(fill in model number) by Liberty Hardware Manufacturing Corporation.



see what Delta can do