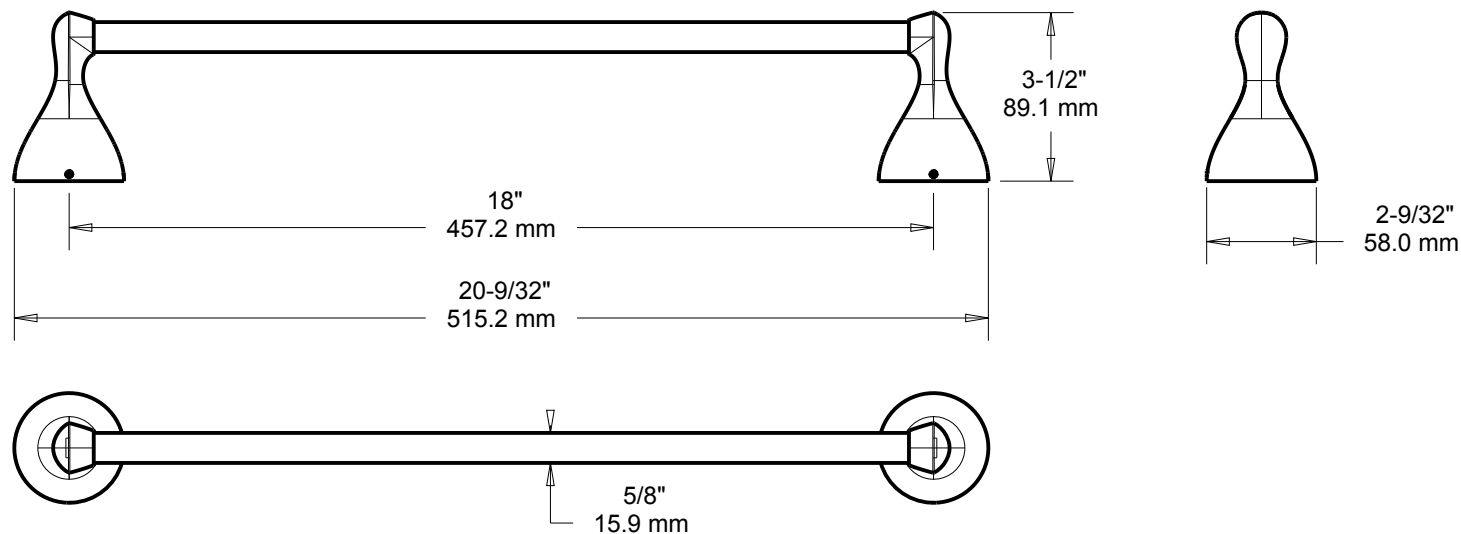
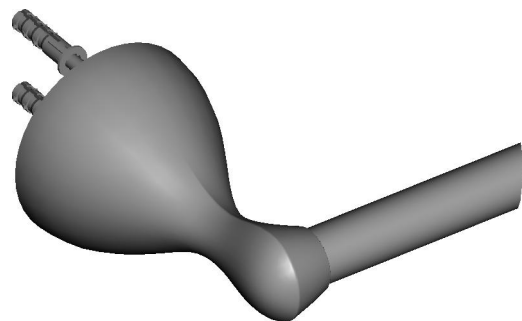


Amesbury - Set Screw

18" TOWEL BAR



MATERIALS: Post - Zinc Die Cast
 Bar - Steel
 Wall Plate - Steel, Zinc Plated

INSTALLATION: Mount wall plate bracket(s) per installation instructions with supplied fasteners. Slip product over wall plate(s) and tighten set screws until secure.

OPTIONAL FASTENER INFORMATION:
 Wood blocking is preferable behind all wall surfaces. If wood blocking is not available, the following fasteners are suggested: Tile/Masonry - Plastic or Lead Anchors, Plaster/Drywall - Toggle Bolts.

SPECIFICATION: Surface mounted Towel Bar shall be model _____
 (fill in model number) by Liberty Hardware Manufacturing Corporation.



see what Delta can do