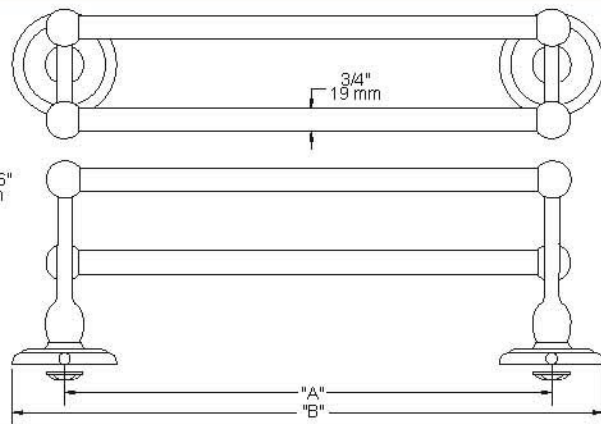
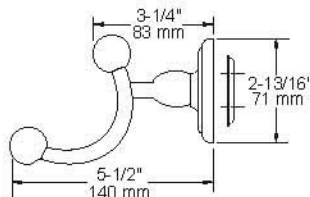


# Jamestown® - Set Screw

18 in., 24 in. & 30 in. DOUBLE TOWEL BAR



## MATERIALS:

Posts - Zinc Die Cast  
18", 24" & 30" Bars - Steel  
Wall Plates - Steel, Zinc Plated

## INSTALLATION:

Mount wall plate bracket(s) per installation instructions with supplied fasteners. Slip product over wall plate(s) and tighten set screws until secure.

## OPTIONAL FASTENER INFORMATION:

Wood blocking is preferable behind all wall surfaces. If wood blocking is not available, the following fasteners are suggested: Tile/Masonry - Plastic or Lead Anchors, Plaster/Drywall - Toggle Bolts.

## SPECIFICATION:

Surface mounted double towel bar shall be model \_\_\_\_\_  
(fill in model number) by Liberty Hardware Manufacturing Corporation.

LENGTH	18" (457 mm)	24" (610 mm)	30" (762 mm)
DIM "A"	18-1/4" (464 mm)	24-1/4" (616 mm)	30-1/4" (768 mm)
DIM "B"	21-1/16" (535 mm)	27-1/16" (687 mm)	33-1/16" (840 mm)

**FranklinBrass**  
A Liberty Hardware Brand

Liberty Hardware Manufacturing Corporation • 140 Business Park Drive • Winston-Salem, NC 27107 • 800.542.3789 • www.libertyhardware.com

©2010 LHMC, A Masco Company