

# Pescara PTX110-31-WKC Stainless Steel Workcenter Kitchen Sink

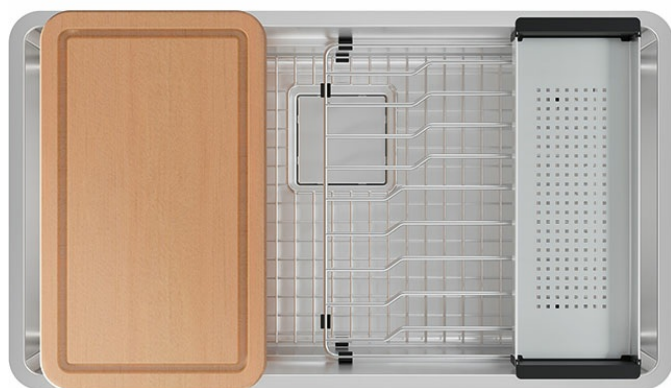
## ALL THE ESSENTIALS

Create a workspace that is as beautiful as it is functional. Our space-saving integrated kitchen tools offer plenty of room for prepping over your sink, freeing up counter space for other cooking activities.

## FEATURES

- Accessories Included: Bottom Grid, Shelf Grid, Colander, Cutting Board, Strainer Basket and Drain Cover
- Integrated Ledge System: Shelf grid sits conveniently on the integrated ledge system, creating an elevated workspace. Perfect for expanding your workspace when you prep, rinse, and clean.
- Concealed Drain: The removable drain cover conceals the drain for a seamless bowl surface while providing a flat bottom that helps prevent glassware from tipping over.
- Commercial Grade Stainless Steel: Made of 18 gauge T304 stainless steel, highly resilient to corrosion and stains, and extremely durable to handle the everyday tasks in the busiest of kitchens.
- Undermount Installation: Fitted underneath the counter, it gives an edgeless finish that is easy to clean.

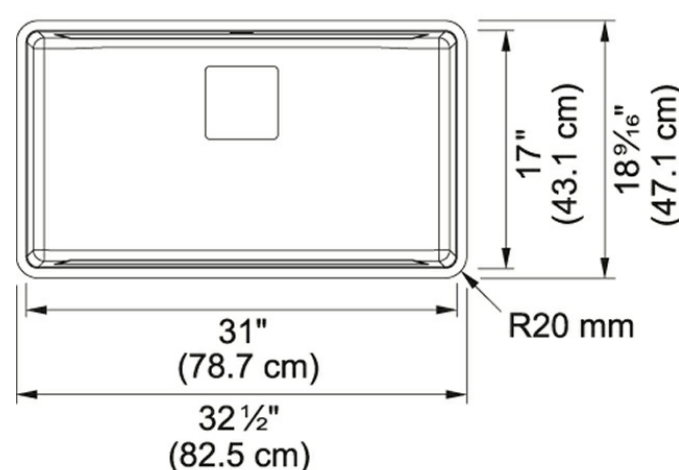
## Product Picture



## Product Dimensions

|                      |          |
|----------------------|----------|
| Length overall       | 32 1/2"  |
| Width overall        | 18 9/16" |
| Length of large bowl | 31"      |
| Width of large bowl  | 17"      |
| Depth of large bowl  | 9 1/2"   |
| Minimum Cabinet Size | 36"      |

## Technical Drawing



## General Information

|                       |                          |
|-----------------------|--------------------------|
| Type of Material      | 18 Gauge Stainless Steel |
| Number of Bowls       | 1                        |
| Faucet Hole           | 0                        |
| Installation Clips    | Yes                      |
| Cut-Out Template      | Yes                      |
| Integral Ledge System | Yes                      |

## Article Numbers

|      |              |
|------|--------------|
| FUN# | 122.0672.209 |
|------|--------------|



