

INSTALLATION GUIDE

Little Butler® Hot Water Dispensing Faucets and Drinking Water Dispensing Faucets

DW5000 / LB5100 Series



LB5200 Series



DW6100 / LB6100 Series



LB6200 Series



DW7000 / LB7100 Series



LB7200 Series



DW8000 / LB8100 Series



LB8200 Series



DW9000 / LB9100 Series



LB9200 Series



TECHNICAL DATA

Recommended Pressure Range - 15 to 75 PSI



has certified that this faucet complies with NSF61 and NSF372 drinking water system component requirements. These requirements meet California Health and Safety Code requirements for low lead (AB1953) as well as the new low lead requirements of the US Safe Drinking Water Act to go into effect in January 2014

INSTALLATION INSTRUCTIONS

- 1 Remove all contents from the package and check for completeness.

**NOTE: Call immediately if you see inconsistencies.
(1-800-626-5771) or visit
www.frankeksd.com**

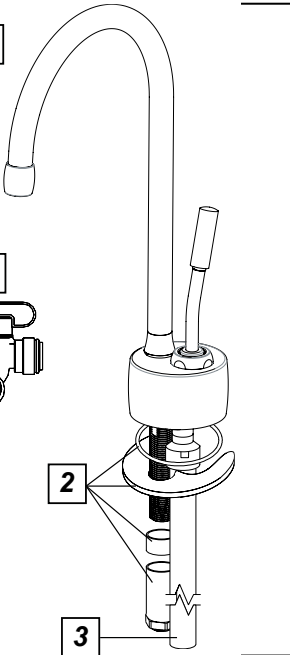
Installation Tools:



5/8" [16mm] - Mounting Nut

Drinking Water Series Faucets (DW_ _00)

1

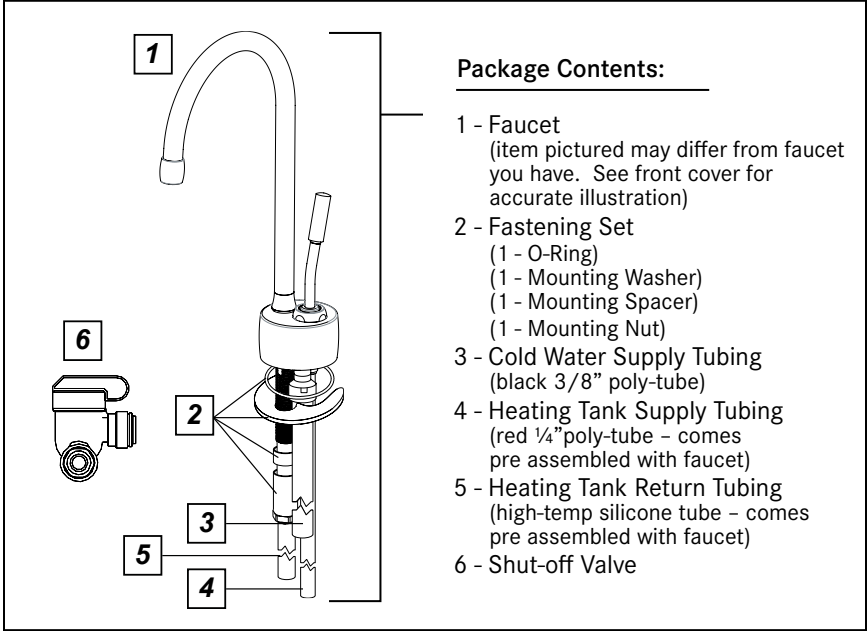


Package Contents:

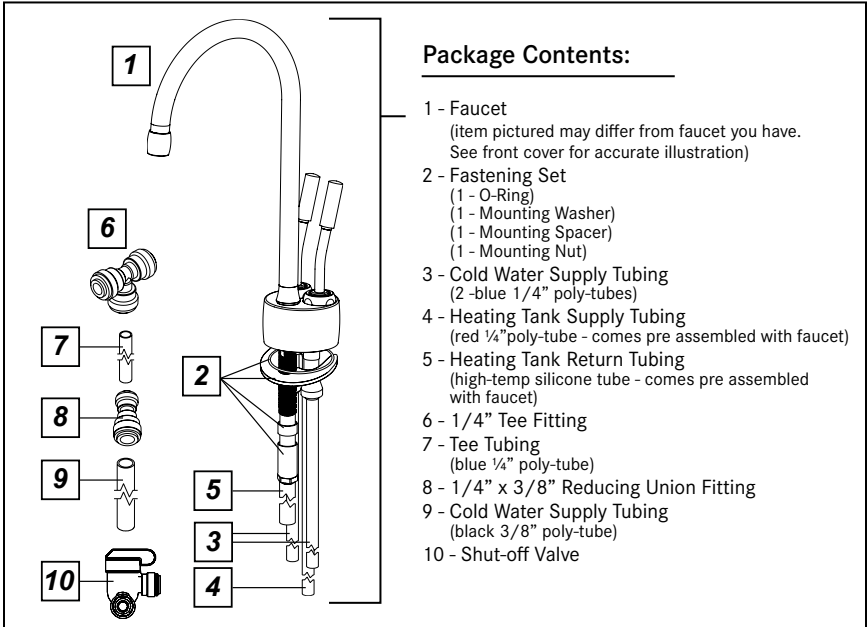
- 1 - Faucet
(item pictured may differ from faucet you have. See front cover for accurate illustration)
- 2 - Fastening Set
(1 - O-Ring)
(1 - Mounting Washer)
(1 - Mounting Spacer)
(1 - Mounting Nut)
- 3 - Cold Water Supply Tubing
(Black 3/8" poly-tube)
- 4 - Shut-off Valve

Installation

Little Butler® Series Hot only Faucets (LB_100)



Little Butler® Series Hot and Cold Faucets (LB_200)



Installation

2

Franke recommends the installer familiarize themselves with how this dispensing faucet will be installed and function as part of a point-of-use hot water, a filtration only drinking water, or a combination hot and filtered point-of-use water dispensing arrangement BEFORE the products are installed. Make certain to observe all local plumbing and building codes during installation of this unit.

It is important to identify the dispenser to be installed as this guide applies to multiple configurations. The hot water dispensing faucets are part of the Little Butler® Series. There are 2 different styles of Little Butler® Series dispensers available:

The LB_200 Series dispensers offer hot and filtered water separately. These dispensers must be used in conjunction with both a Franke heating tank unit and a Franke filtration system. They utilize 4 tubes to connect to the system.

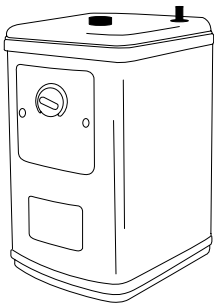
- 2 blue poly-tubes for the cold water supply into the dispensing faucet, which comes from the filtration system.
- 1 red poly-tube to carry the filtered water from the dispensing faucet to the heating tank unit.
- 1 opaque high temperature silicone tube to carry the heated water from the heating tank back to the dispensing faucet.

The LB_100 Series dispensers offer hot water only. These dispensers are required to be used in conjunction with a Franke heating tank unit. Use of a Franke filtration system in addition to the heating tank is optional, but strongly recommended in order to prolong the life and improve the performance of the heating tank, as well as providing much higher quality water as compared to un-filtered water entering the tank. These models utilize 3 tubes to connect to the system.

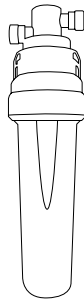
- 1 black poly-tube for the cold water supply to the dispensing faucet, which must come from the home water supply or from the filtration system (if utilized).
- 1 red poly-tube to carry the filtered water from the dispensing faucet to the heating tank unit.
- 1 opaque high temperature silicone tube to carry the heated water from the heating tank back to the faucet.

The filtered water only dispensing faucets are part of the Drinking Water Series, which are designated as DW_00 models. These dispensing faucets will only be used in conjunction with a Franke filtration system. There will only be one black poly-tube to connect the faucet to the filtration system.

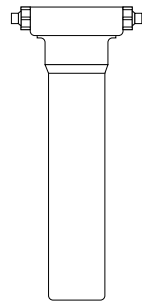
IMPORTANT: Customer MUST USE genuine Franke components (see below) in tandem with all Franke dispensing faucets. Use of any filtration products, heating tanks, or service parts other than genuine Franke components will VOID THE PRODUCT WARRANTY in its entirety. Use of any Franke dispensing faucet with a Reverse Osmosis Filtration system will also VOID THE PRODUCT WARRANTY.



Franke HT-200
Heating Tank



Franke FRCNSTR100
Filtration System



Franke FRCNSTR
Filtration System

Installation

3

It is recommended to take the components and locate their optimum positions before starting the installation. Make sure there is adequate clearance for the dispenser handle(s) to open fully without interference. Make sure all plumbing and electrical connections will reach the intended mounting positions for all the components and there will be no obstructions or sharp bends in plumbing. Make sure the counter top is no thicker than 2-1/4".

WARNING: Before inserting poly-tubing into the push fittings in subsequent steps, ensure the ends of the tubing used are cut square and free of burrs, both inside and outside. Ensure there are no gouges, scratches, or any other form of damage within 1" from the cut end of the tubing. Damage in this area can cause leakage. Do NOT use any thread sealant, plumbers putty, glue, or other adhesive chemicals on the tubing or push fittings. This can damage the o-rings inside the push fittings and cause leakage. Any foreign substances used on the push fitting connections will VOID THE PRODUCT WARRANTY. Do not use tools or modify any of the push fit connections as this could damage the connection, resulting in leaks and will VOID THE PRODUCT WARRANTY.

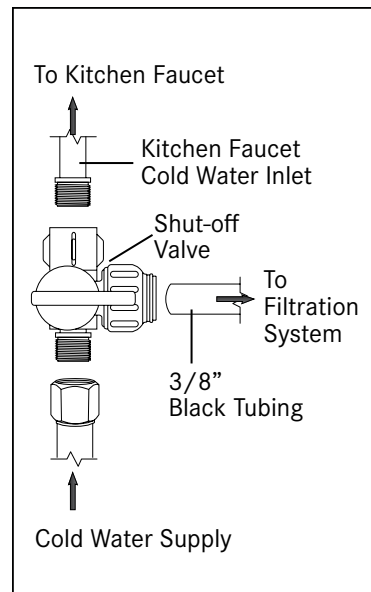
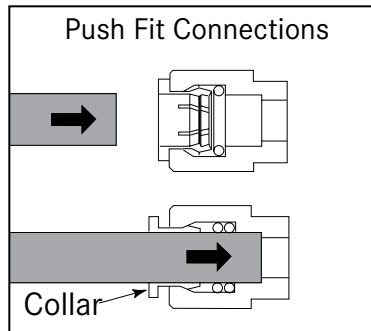
NOTE: When installing poly-tubing into push fit connections, the tubing should be firmly pressed into the fitting until it stops to ensure a proper seal. If you should need to remove the tubing from the push fitting, use your thumb and forefinger to press and hold in on the collar while gently pulling the tube out.

4

First, the cold water supply to the dispensing faucet needs to be created. Install the Shut-off valve provided by placing it between the cold water supply connection to the kitchen faucet and the kitchen faucet cold water inlet connection. Cut the black 3/8" poly-tubing to the required length to provide water from the shut-off valve to the filtration system. (You should have some poly-tubing left over. In the unlikely event you should need more black 3/8" poly-tubing to complete the installation, please contact our Customer Service Department at 1-800-626-5771.)

Connect the black 3/8" poly-tubing to the shut-off valve by pressing the tubing firmly into the push fitting on the shut-off valve until it stops. Connect the other end of the 3/8" poly-tubing to the filtration system as outlined in the instructions provided with the filtration system. Take the remaining black 3/8" poly-tubing and set it aside for later use.

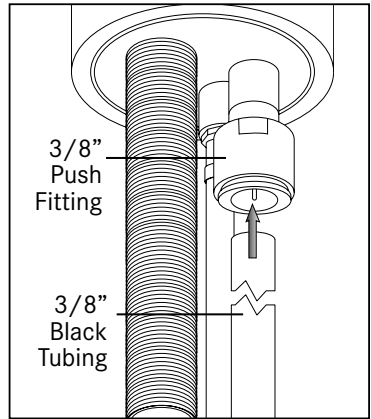
NOTE: For the Drinking Water Series Faucets (DW_00), there is a service label attached to one end of the black 3/8" poly-tubing. Be sure the tubing set aside for later use has this service label attached as it will be connected to the faucet later. It is important this label remains connected to the faucet should you ever need to service the faucet. For the Little Butler series faucets (LB_100 and LB_200), the service label will be attached to the hot water supply line from the factory.



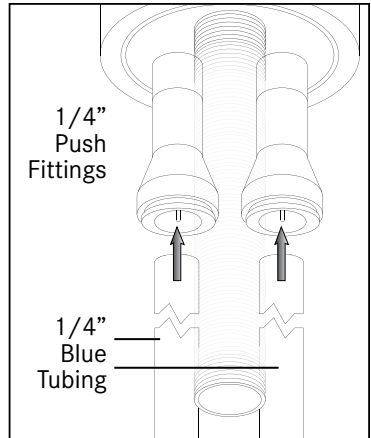
Installation

5 Next, Connect the cold water supply tubing to the faucet. This will differ depending on which dispensing faucet you have.

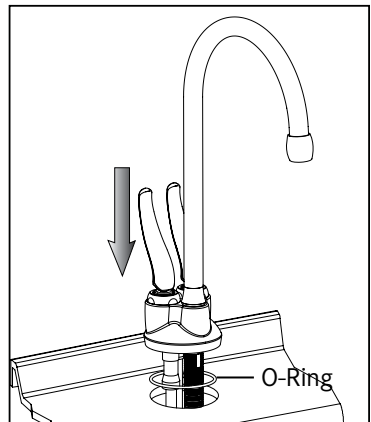
- For Drinking Water Series Faucets (DW_00) and Little Butler® Series Hot only Faucets (LB_100), insert the remainder of the black 3/8" cold water supply tubing left over from Step 4 into the 3/8" push fitting at the base of the faucet as illustrated.



- For the Little Butler® Series Hot and Cold Faucets (LB_200), insert the 2 blue 1/4" cold water supply tubes into the 1/4" push fittings at the base of the faucet as illustrated.



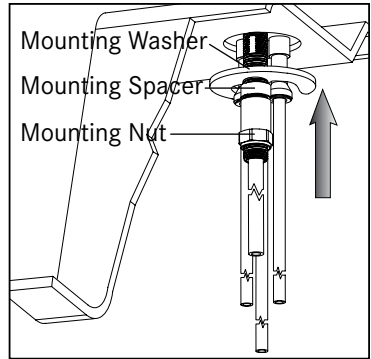
6 Ensure proper hole is in place for the faucet. This faucet is designed for a 1-3/8" (35mm) mounting hole. Before inserting the faucet in the hole in the sink or counter top, make sure the O-ring is positioned in its seat and all hoses are secure. Place the faucet in the hole, orienting the spout towards the sink bowl.



Installation

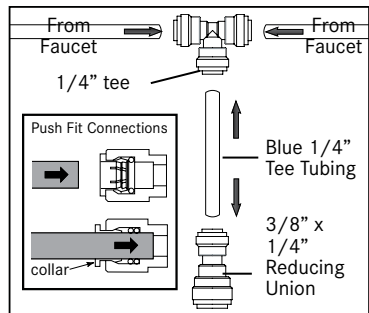
- 7** NOTE: Depending on counter top thickness, it may be easier to access the mounting nut by disconnecting the cold water supply hose(s).

Install fastening set as shown: mounting washer, mounting spacer (if necessary), and mounting nut. Tighten the mounting nut with wrench from the underside of the sink. The mounting spacer is only needed for installations where the faucet is mounted directly to a stainless steel sink, or where the counter top is less than 1/2" thick.



NOTE: Step 8 is only required on Little Butler® Series dispensers that offer hot and cold water separately (LB_200 Series dispensers). If you have a Little Butler® hot water only (LB_100 Series) dispenser or a Drinking Water only (DW_00 Series) dispenser, go to Step 9.

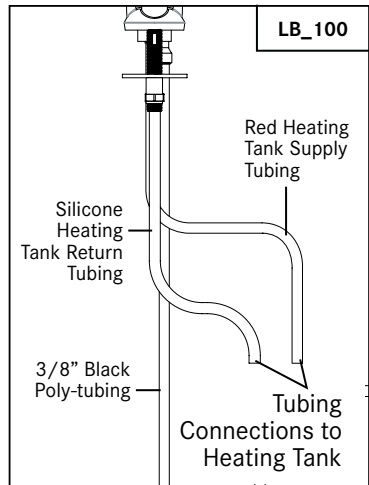
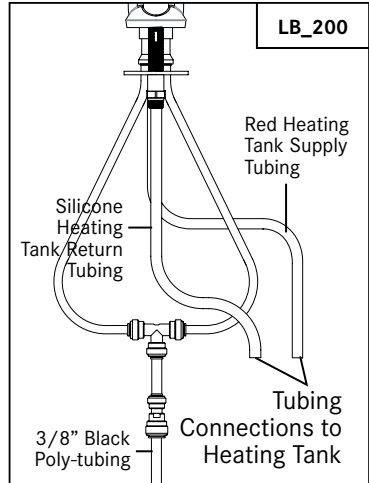
- 8** Complete the assembly of the cold water supply tubing by inserting the 2 - 1/4" blue poly-tubes already connected to the faucet into 1/4" tee push fitting. Be careful not to kink the tubes. Take the tee tubing, the short piece of blue 1/4" poly-tubing, and connect it to the bottom part of the 1/4" tee and to the 1/4" x 3/8" reducing union fitting. Lastly, take the part of the black 3/8" poly-tube left over from Step 4 and connect it to the 1/4" x 3/8" reducing union fitting.



- 9** Take the black 3/8" poly-tubing from the faucet and connect it to the outlet of the filtration system as outlined in the filtration system instructions. If you decide not to utilize a filtration system with your LB_100 Series faucet, you must provide a connection for the black 3/8" poly-tube to the home's cold water supply. This will complete the installation for the Drinking Water only (DW_00 Series) dispensing faucets. For Little Butler® Series dispensers (LB_100 and LB_200) continue to Step 10.

Installation

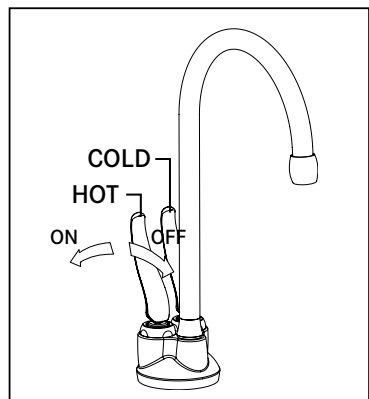
- 10 Connect the red ¼" Heating Tank Supply Hose to the heating tank inlet and the high temp silicone Heating Tank Return Hose to the heating tank outlet per the instructions provided with the heating tank.



Usage

- 1 Push the handle(s) back to turn on the water supply. The cold valve will lock in the 'on' position and the hot valve (on the left side if equipped) has a safety feature that requires constant force to keep the valve open to protect from unintentional contact with hot water.

Note: The spout has a 360° swivel capability



Usage

2 **WARNING!** Do not operate both handles at the same time, as this can build up pressure in the heating tank causing the bladder to expand and eventually burst. Such damage is not covered by the warranty.

3 **Seasonal Shutdown:**
If you plan to be away from home for extended periods of time, refer to the filtration system instructions and heating tank instructions (if applicable) under the Winterizing or Seasonal Shutdown sections to prevent system failures.

MAINTENANCE

1 Trouble Shooting

PROBLEM	POSSIBLE CAUSE	RECOMMENDED ACTION
Water spews and steams forcefully from spout with the dispenser in the off position	<ul style="list-style-type: none">-The heating tank is boiling because temperature setting it too high-The heating tank is boiling because there may be a problem with internal heating mechanism	Lower temperature adjustment on the heating tank. Turn on faucet lever and run water until stream is normal again. If spewing returns, lower temperature again until spewing stops
Water is not hot	<ul style="list-style-type: none">-The heating tank is unplugged-The power supply to the heating tank is inoperable-There may be a problem with the internal heating mechanism on the heating tank	<ul style="list-style-type: none">-Make sure heating tank is connected to a properly grounded electric outlet-Make sure the circuit breaker or fuses are functioning properly
Water is dripping from spout intermittently	<ul style="list-style-type: none">-This is normal during water heating cycles but should only occur for a few minutes. If dripping is continual it could be low water pressure to the heating tank	<ul style="list-style-type: none">-Check the supply valve to ensure it is fully open and there are no obstructions or kinks in the water lines. Also check for clogged water filters-Check supply hoses for loops or low sections

2 Replacement Parts

Model #	Replacement Part # for Identified Part													
	#1 Cold Cartridge Assy.	#2 Hot Cartridge Assy.	#3 Cover Nut	#4 Lever (see chart below for all series)		#5 Mounting Washer	#6 Mounting Spacer	#7 Mounting Nut	#8 Cold Water Supply Tubing (3/8" OD)	#9 Cold Water Supply Tubing (1/4" OD)	#10 1/4" Tee Fitting	#11 1/4" x 3/8" Reducing Union Fitting	#12 Shut-off Valve	#13 Red and Blue Indicators Red (R) Blue (B)
				Cold	Hot									
LB5100 Series	-	5-002*	5-003*	-	5-004*	5-007	5-014	5-008	10305	-	-	-	10306	-
LB5200 Series	5-001*	5-002*	5-003*	5-004*	5-004*	5-007	5-014	5-008	10305	10308	10321	10322	10306	-
DW5000 Series	5-001*	-	5-003*	5-004*	-	5-007	5-014	5-008	10305	-	-	-	10306	-
LB6100 Series	-	5-017*	5-003*	-	5-010H*	5-007	5-014	5-008	10305	-	-	-	10306	5-015(I)
LB6200 Series	5-016*	5-017*	5-003*	5-010*	5-010H*	5-007	5-014	5-008	10305	10308	10321	10322	10306	5-015(I)
DW6100 Series	5-016*	-	5-003*	5-010*	-	5-007	5-014	5-008	10305	-	-	-	10306	5-015(I)
LB7100 Series	-	5-017*	5-003*	-	5-011H*	5-007	5-014	5-008	10305	-	-	-	10306	5-015(I)
LB7200 Series	5-016*	5-017*	5-003*	5-011*	5-011H*	5-007	5-014	5-008	10305	10308	10321	10322	10306	5-015(I)
DW7000 Series	5-016*	-	5-003*	5-011*	-	5-007	5-014	5-008	10305	-	-	-	10306	5-015(I)
LB8100 Series	-	5-002*	5-003*	-	5-012*	5-007	5-014	5-008	10305	-	-	-	10306	-
LB8200 Series	5-001*	5-002*	5-003*	5-012*	5-012*	5-007	5-014	5-008	10305	10308	10321	10322	10306	-
DW8000 Series	5-001*	-	5-003*	5-012*	-	5-007	5-014	5-008	10305	-	-	-	10306	-
LB9100 Series	-	5-017*	5-003*	-	5-013H*	5-007	5-014	5-008	10305	-	-	-	10306	5-015(I)
LB9200 Series	5-016*	5-017*	5-003*	5-013*	5-013H*	5-007	5-014	5-008	10305	10308	10321	10322	10306	5-015(I)
DW9000 Series	5-016*	-	5-003*	5-013*	-	5-007	5-014	5-008	10305	-	-	-	10306	5-015(I)

* Must Identify Color/ Finish when ordering replacement parts.

DW_00 Series

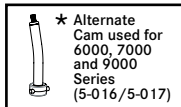
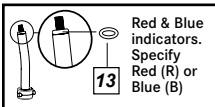
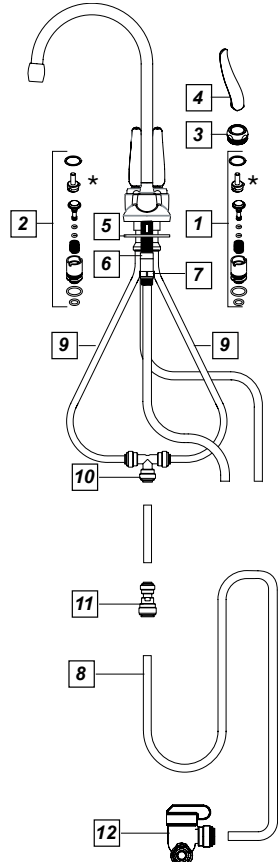
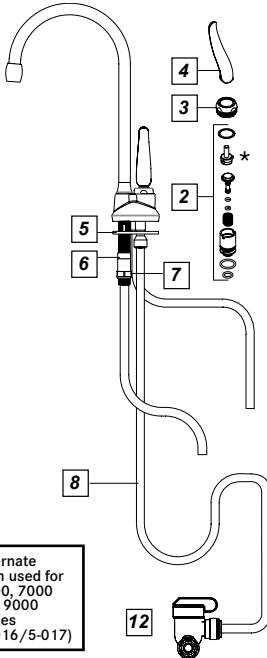
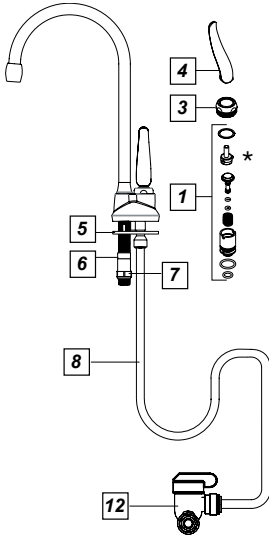
(Faucet pictured may differ from faucet you have. See front cover for accurate illustration.)

LB_100 Series

(Faucet pictured may differ from faucet you have. See front cover for accurate illustration.)

LB_200 Series

(Faucet pictured may differ from faucet you have. See front cover for accurate illustration.)



#4 Replacement Levers Per Series				
5000 Series	6000 Series	7000 Series	8000 Series	9000 Series

+ Hot (R) or Cold (B) indicators included with specified lever.

LIMITED LIFETIME WARRANTY

Congratulations on the purchase of this Franke product! Franke is one of the world's largest manufacturers of kitchen systems. Our products are manufactured using the highest degree of technology quality and design. As a result we are proud to offer the following warranty.

Franke Inc. Kitchen Systems Division, warrants the quality of its water dispensing systems to be free from manufacturing defects for a period of **five** years from the date of purchase. This warranty applies only to the original owner, providing the product has been installed in accordance with these installation instructions, used as recommended and in a normal residential application. **In the event of a warranty claim, the owner will be required to provide proof of purchase – SAVE ORIGINAL SALES RECEIPT!** This warranty covers all components necessary to restore the product to good working condition. Franke reserves the right to inspect the installation prior to the replacement of the product or component part.

Marine and Outdoor Installation: Franke Consumer Products, Inc. faucets are NOT warranted for Marine and Outdoor installations.

This warranty does not cover misuse or abuse, accidental damage, scuffs or scratches, abnormal usage, negligence or damage caused by improper maintenance or cleaning. Normal wear of parts is excluded from warranty. Damage caused by impurities or acts beyond Franke's control are not covered. Any product or part which has been repaired or altered in any manner outside of Franke's factory, unless previously authorized in writing by Franke, will void warranty. **Any replacement excludes transportation and any labor reinstallation costs.** This warranty does not allow recovery of incidental or consequential damages such as loss of use, delay, property damage or other consequential damage, and Franke accepts no liability for such damages.

The Franke warranty is limited to the above condition and to the warranty period specified herein and is exclusive. Franke **DISCLAIMS** all other warranties, expressed or implied, including the **IMPLIED WARRANTIES OF MERCHANTABILITY AND/OR FITNESS FOR A PARTICULAR PURPOSE.** This warranty gives you specific legal rights which may vary from state to state.

Further Information

For any further information about our products, about the installation of them, or about the guarantee, please contact our Customer Service Department:

Franke Consumer Products Inc.,
Kitchen Systems Division
800 Aviation Parkway
Smyrna, TN 37167
Phone: 1-800-626-5771
Fax: 1-888-685-0007
www.frankeksd.com



**Franke Consumer Products Inc.,
Kitchen Systems Division
800 Aviation Parkway
Smyrna, TN 37167
Phone: 1-800-626-5771
Fax: 1-888-685-0007
www.frankeksd.com**