

## STANDARD MAINTENANCE AND TROUBLESHOOTING

### Replacing the Cartridge

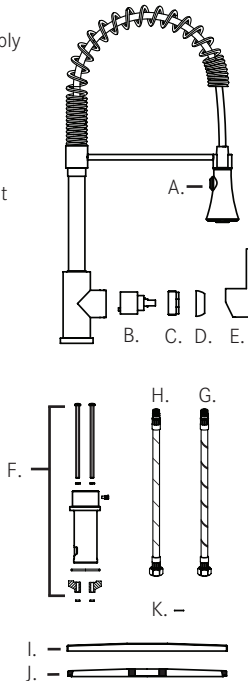
1. Shut off the water supply to the faucet
2. Turn on the faucet briefly to relieve any pressure inside the faucet
3. Move the faucet handle to the "OFF" position
4. Remove set screw from handle using an allen key
5. Pull the lever handle E from the faucet body
6. Unscrew the cartridge cap D
7. Unscrew the cartridge nut C
8. Lift ceramic disk cartridge B from the body and replace it with new cartridge. Ensure the 2 lugs on the bottom of the cartridge sit properly in the locating holes in the faucet body.
9. Re-assemble faucet in reverse order
10. Test for leakage

### General Maintenance

- Clean aerator periodically for any buildup
- Do not use harsh detergents, solvents, chemical agents, especially any containing CHLORINE, or metallic sponges as these can damage the surface finish
- Clean only with soft sponge and soapy water
- **ATTENTION! For outdoor installation product must be protected from freezing temperatures.** Disconnect hot and cold supply hoses from home, open the handle to drain out all water. Cover faucet with protective covering to keep warm.

### Spare/Replacement List

- A. F208501 Spray Head Assembly
- B. F208502 Cartridge
- C. F3412 Cartridge Nut
- D. F3413 Cartridge Cap
- E. F206503 Handle Assembly
- F. F205508 Fast-In Mounting Kit
- G. F205509 Hot Supply Hose
- H. F205510 Cold Supply Hose
- I. F205515 Base Plate
- J. F205516 Base Plate Gasket
- K. F205518 Flat Washer



## LIMITED LIFETIME WARRANTY

Franke Kitchen Systems, LLC (Franke) extends the following warranty to the original purchaser of its faucets effective January 1, 2003.

All faucets installed in a private residence will carry a limited lifetime warranty on all mechanical parts to be free of manufacturing defects in material and workmanship under normal usage. This faucet is also warranted for **outdoor installations** for a period of five (5) years from the original date of purchase. All chrome finishes carry a limited lifetime warranty; all other finishes are warranted for five (5) years from the original date of purchase.

This warranty applies only to the original owner, providing the product has been installed in accordance with our installation instructions, used as recommended and in a normal residential application. In the event of a warranty claim, the owner will be required to provide proof of purchase - save sales receipt. This warranty covers all components which make the product operational. Franke, at its option, may repair or replace the product or components necessary to restore the product to good working condition. Franke reserves the right to inspect the installation prior to the actual replacement of the product or component part. This warranty does not cover misuse or abuse, accidental damages, scuffs or scratches, improper installation, abnormal usage, negligence or damage caused by improper maintenance or cleaning. Normal wear of parts is excluded from the warranty. Damage caused by impurities or acts beyond our control are not covered. Any product or part which has been repaired or altered in any manner outside of Franke's factory, unless previously authorized in writing by Franke, will void warranty. **Any replacement excludes transportation and any labor re-installation costs.** This warranty does not allow recovery of incidental or consequential damages such as loss of use, delay, property damage or other consequential damage, and Franke accepts no liability for such damages.

The Franke warranty is limited to the above conditions and to the warranty period specified herein and is exclusive. Franke DISCLAIMS all other warranties, expressed or implied, including IMPLIED WARRANTIES OF MERCHANTABILITY AND/OR FITNESS FOR A PARTICULAR PURPOSE. This warranty gives you specific legal rights that may vary from state to state.

### Further information

For any further information about our products, about the installation of them or about the guarantee, please contact the customer service department at:

Franke Kitchen Systems, LLC  
Kitchen Systems Division  
800 Aviation Parkway  
Smyrna, TN 37167  
Phone: 1-800-626-5771  
Fax: 1-888-685-0007  
[www.franke.us/ks.com](http://www.franke.us/ks.com)

# INSTALLATION MANUAL

## BERN PRO

### FFPD20850 Semi-Pro Kitchen Faucet



MAKE IT WONDERFUL



## TECHNICAL DATA

- Flow rate – 1.75 gpm at 60 psi
- Recommended water pressure – 30-85 psi
- Max water pressure – 115 psi
- Max water temperature – 158° F
- Hole size for faucet – 1<sup>3</sup>/<sub>8</sub>"

### Note

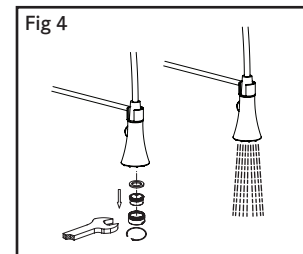
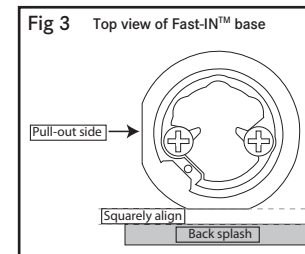
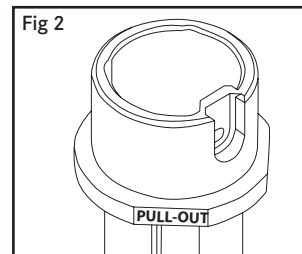
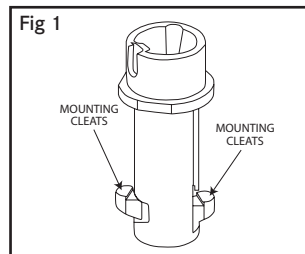
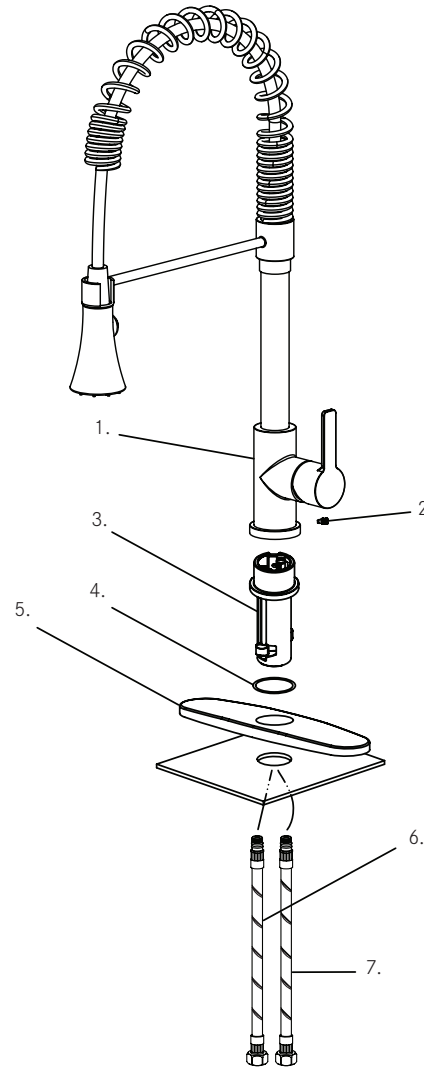
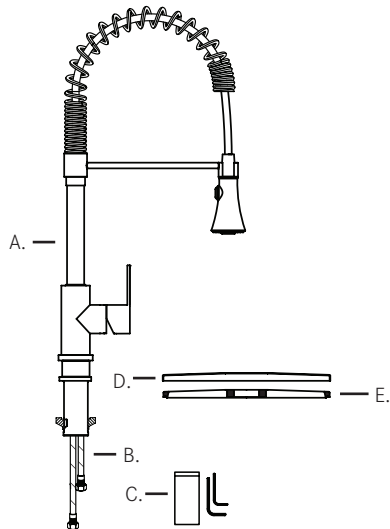
Contact us immediately if you see inconsistencies:

- Phone – 1-800-626-5771
- Email – ks-customerservice.us@franke.com
- Website – www.franke.us/ks.com

### Contents in Box



- A. Faucet assembly
- B. Supply hoses
- C. Allen wrench
- D. Base plate
- E. Base plate gasket



## INSTALLATION INSTRUCTIONS

1. Remove all contents from the package and check for completeness.
2. Turn off water supply.
3. Remove faucet (1) and hardware from its protective packaging – faucet comes assembled.
4. Cut mounting hole 1<sup>3</sup>/<sub>8</sub>" in diameter (35mm) in the desired position (if one isn't available).
5. Remove set screw (2) from faucet body (1) and set aside for later. Place a soft cloth in the sink or on the countertop to set the faucet (1) on during the installation to protect it from scratches.
6. Separate the Fast-In™ base (3) from the faucet body (1) and slide it several inches down the attached supply hoses (6,7).
7. Insert supply hoses (6,7) and Fast-In™ base (3) into desired mounting location hole and lay faucet to side on soft cloth. If your application has 3 holes to cover, set base plate gasket and base plate (5) over the holes. If your application is a single hole, the base plate and gasket (5) are optional.
8. Make sure the rubber o-ring (4) is in the groove at the bottom of the Fast-In™ base (3). You may have to loosen the phillips screws at the top of the Fast-In™ base (3) until the mounting cleats are free which will allow them to tuck inside the Fast-In™ base (3) for installation (See Fig 1).
9. Make sure the flat side of the Fast-In™ base (3) that is labeled "PULL-OUT" (See Fig 2) is facing to the left when looking at the base from above. The unlabeled flat side should face squarely towards the backsplash behind your sink, or where you intend to mount the faucet (see Fig 3).
10. Tighten 2 mounting screws in the Fast-In™ base (3) with phillips screwdriver to secure the base to the mounting surface. This will take several turns. If you decide to use a power drill, it is recommended to apply final torque by hand, not with the drill, to avoid damaging the screws.
11. Slide faucet body (1) onto the Fast-In™ base (3), align the screw hole in the faucet body (1) with the hole in the Fast-In™ base (3), and install and tighten the set screw (2) to secure the faucet body (1) to the Fast-In™ base (3).
12. Connect the supply hoses (6 & 7) to the water supply in the home.
13. Remove aerator using a 22mm wrench, turn on water and flush the faucet for any debris. Check for leaks and reinstall aerator (See Fig 4).