

# INSTALLATION MANUAL

LITTLE BUTLER® HOT WATER AND DRINKING WATER  
FILTRATION FAUCETS



LB13250



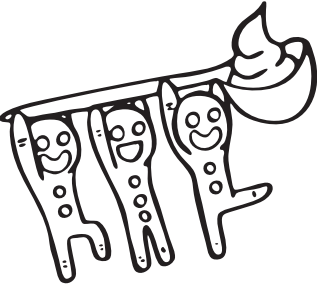
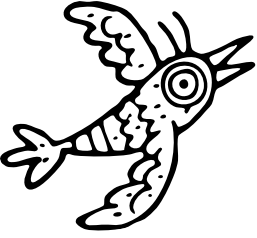
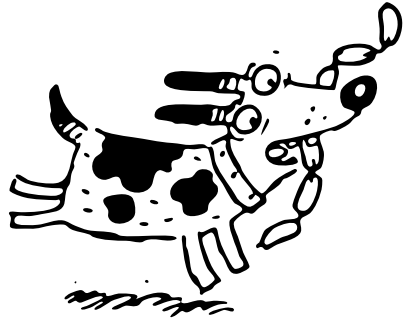
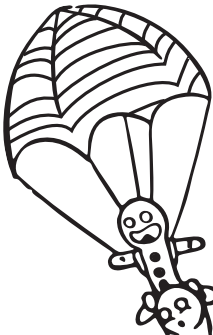
LB13150



DW13050

MAKE IT WONDERFUL





# DW13050, LB13150 AND LB13250

Little Butler® hot water and drinking water filtration faucets installation manual

## TECHNICAL DATA

Recommended Water Pressure	35-75PSI
Max. Water Pressure	145 PSI
Recommended Hot Water Temp.	120° -140° F
Hole Size for Faucet	1-1/4"

## NOTE

Contact us immediately if you see inconsistencies:

Phone - 1-800-626-5771

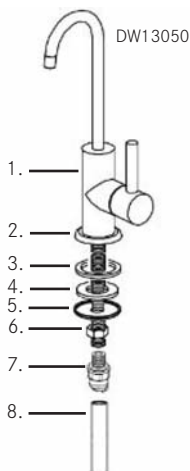
Email - ks-customerservice.us@franke.com

Website - www.frankeksd.com

## CONTENTS IN BOX

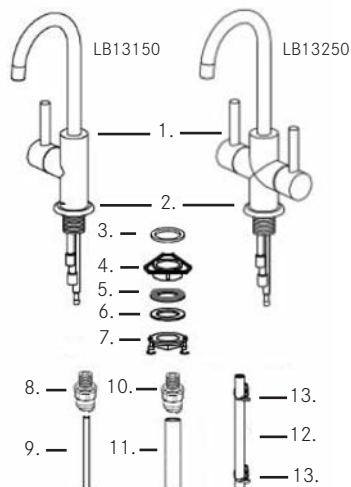
### DW13050

1. Faucet assembly
2. Escutcheon
3. Escutcheon rubber washer
4. Rubber washer
5. Fixing plate
6. Fixing nut
7. 3/8" push fitting
8. 3/8" poly-tube



### LB13150 / LB 13250

1. Faucet assembly
2. Escutcheon
3. Escutcheon rubber washer
4. Plastic Flange
5. Rubber washer
6. Fixing plate
7. Fixing nut
8. 1/4" push fitting
9. 1/4" poly-tube
10. 3/8" push fitting
11. 3/8" poly-tube
12. Silicone tube
13. Plastic clamps



# DW13050, LB13150 AND LB13250

## Little Butler® hot water and drinking water filtration faucets installation manual

---

### BEFORE YOU BEGIN

For best results, Franke recommends this faucet be installed by a licensed, professional plumber. The installer should familiarize themselves with how this dispensing faucet will be installed and function as part of a point-of-use water dispensing arrangement BEFORE the products are installed because there are several installation options. Make certain to observe all local plumbing and building codes during the installation.

### HOT WATER INSTALLATION OPTIONS:

The **LB13150 Series** dispenser offers hot water only. These dispensers are required to be used in conjunction with a Franke heating tank unit. Use of a Franke filtration system in addition to the heating tank is optional, but strongly recommended in order to prolong the life and improve the performance of the heat tank, as well as providing much higher quality water as compared to un-filtered water entering the tank.

The **LB13250 Series** dispenser offers hot and filtered water separately. These dispensers must be used in conjunction with both a Franke heating unit and a Franke filtration system.

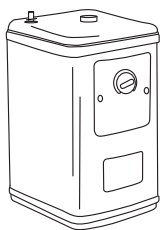
These models both utilize 3 tubes to connect to the system.

- A 3/8" poly-tube for the cold water supply into the dispensing faucet
- A 1/4" poly-tube to carry the filtered water from the dispensing faucet to the heating tank unit.
- An opaque high temperature silicone tube to carry the heated water from the heating tank back to the dispensing faucet.

### COLD WATER INSTALLATION OPTIONS:

The **DW13050 Series** dispensers provide filtered drinking water as well as the option of chilled drinking water. These dispensers are required to be used in conjunction with a Franke filtration system. For chilled drinking water, a Franke chiller tank unit is required. These models utilize a 3/8" poly-tube to supply filtered water to the faucets.

**IMPORTANT: Franke strongly recommends using only genuine Franke components (see below) in tandem with all Franke dispensing faucets. The function of the dispensing faucets cannot be guaranteed if using filtration products, heating tanks, or accessories other than genuine Franke components.**



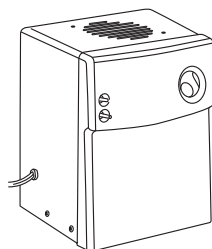
Franke HT-200  
Heating Tank



Franke FRCNSTR100  
Filtration System



Franke FRCNSTR  
Filtration System



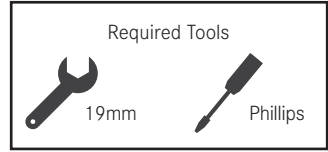
Franke CT-200  
Chiller Tank

# DW13050, LB13150 AND LB13250

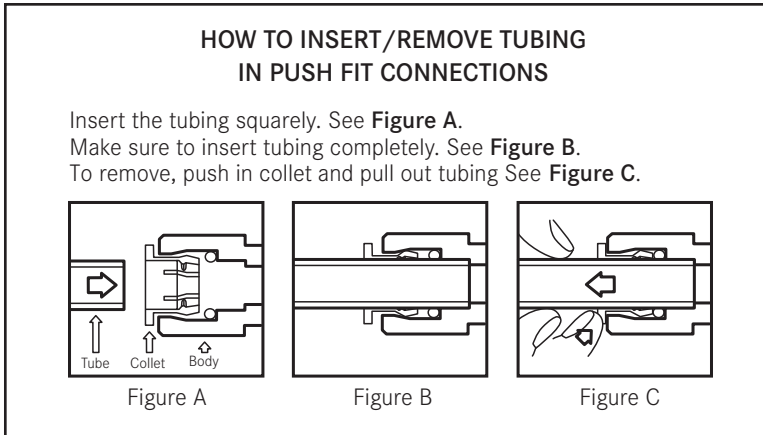
Little Butler® hot water and drinking water filtration faucets installation manual

## INSTALLATION - PRELIMINARY STEPS

1. It is recommended to take the components and locate their optimum positions before starting the installation. Make sure there is adequate clearance for the dispenser handle(s) to open fully without interference. Make sure all plumbing and electrical connections will reach the intended mounting positions for all the components and there will be no obstruction or sharp bends in the plumbing. Make sure the counter top is no thicker than 2".
2. **IMPORTANT:** For subsequent steps, it will be required to cut and route tubing to fit the specific application in your home. All tubing must be cut squarely and free of burrs. Ensure there is no damage within 1" of the cut end.



**DO NOT USE ANY FORM OF SEALING COMPOUNDS.** This is not required for push fit connections, and using sealing compounds could cause leaks. All tubing connections must be routed to avoid sharp bends and have enough slack to avoid straining connections. Pull gently on each connection to make sure they are secure. See diagram below for details on tubing installation and removal.



3. Remove faucet from package and check for completeness
4. Ensure proper hole is in place for the faucet. This faucet is designed for a 1-1/4" (32mm) mounting hole.
5. Turn off the water supply.

# DW13050, LB13150 AND LB13250

Little Butler® hot water and drinking water filtration faucets installation manual

---

## INSTALLATION INSTRUCTIONS - DW13050

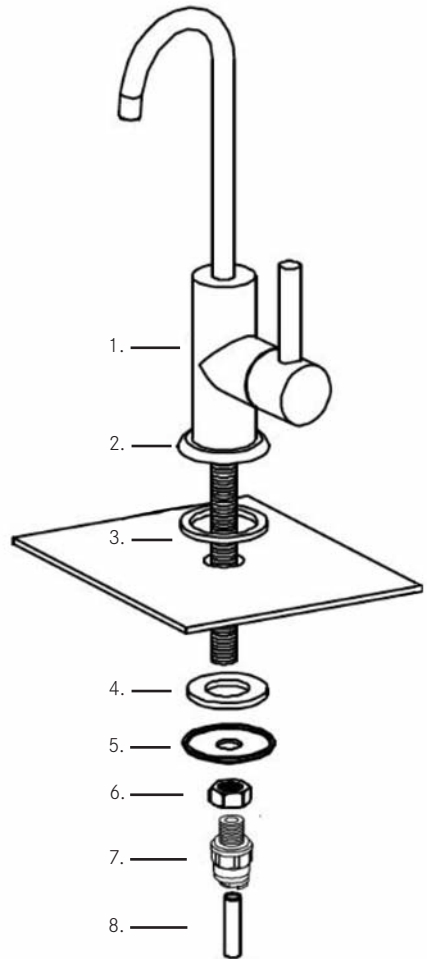
1. Remove mounting hardware from mounting nipple.
2. Slide the escutcheon (2) over the shank. Make sure the rubber washer (3) is positioned in its seat in the escutcheon.
3. Place the faucet in the hole, orienting the spout towards the sink bowl with the handles in position to rotate forward.
4. Install mounting hardware as shown: Rubber washer (4), fixing plate (5), and fixing nut (6).
5. Connect the cold water supply to the faucet:  
A) Screw in 3/8" push fitting (7) into mounting nipple, **HAND TIGHT ONLY**.

**⚠ WARNING** Use of tools to tighten this fitting can lead to leaks!

B) Insert the 3/8" poly-tube (8) into the push fitting (7).

**NOTE:** There should be a service label attached to the poly-tubing. - **DO NOT REMOVE LABEL.**

6. Connect the 3/8" poly-tube (8) to the outlet of the filtration system as outlined in the filtration system instructions.
7. Turn on the water and check for leaks.



# DW13050, LB13150 AND LB13250

## Little Butler® hot water and drinking water filtration faucets installation manual

### INSTALLATION INSTRUCTIONS - LB13150 / LB13250

1. Remove mounting hardware from faucet body shank.
2. Slide the escutcheon (2) over the shank. Make sure the rubber washer (3) is positioned in its seat in the escutcheon.
3. Place the faucet in the hole, orienting the spout towards the sink bowl with the handles in position to rotate forward.
4. Install mounting hardware as shown onto shank: Plastic flange (4), rubber washer (5), fixing plate (6), and fixing nut (7). Tighten 2 screws in fixing nut to secure the nut.
5. Screw in the 1/4" push fitting (8) into the hot (H) water inlet and screw the 3/8" push fitting (9) into the cold (C) water inlet.

**HAND TIGHTEN ONLY!**

**⚠ WARNING** Use of tools to tighten this fitting can lead to leaks!

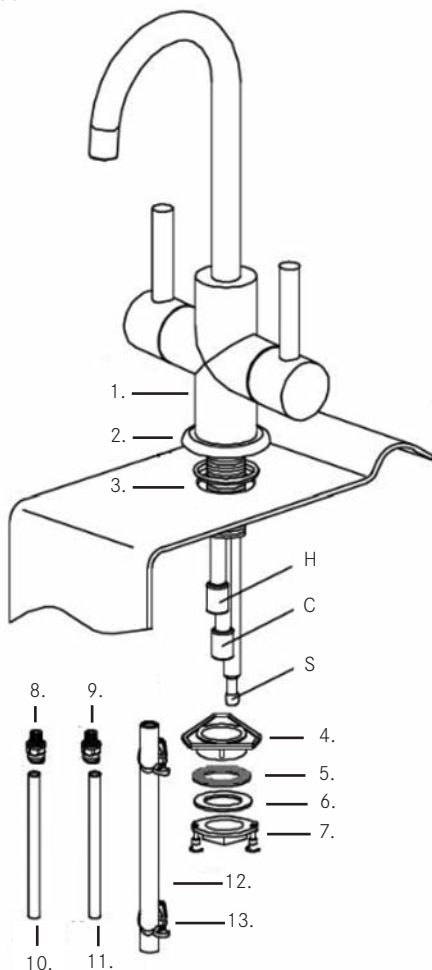
6. For the cold side, connect the 3/8" poly tube (11) to the 3/8" push fitting (9) and connect the other end of the tube (11) to the filtration system as outlined in the filtration system instructions.

**NOTE:** There should be a service label attached to the water supply pipes from the faucet - DO NOT REMOVE LABEL!

7. For the hot side, connect the 1/4" poly tube (10) to the 1/4" push fitting (8) and connect the other end of the tube (10) to the heating tank inlet as outlined in the heating tank instructions.

8. Then connect the high temp silicone tube (12) to the mounting nipple (S) and secure the tubing using the hose clips (13). Connect the other end of the high temp silicone tube (12) to the heating tank outlet as outlined in the heating tank instructions.

**NOTE:** All tubing provided with the faucet is intended to be longer than will be necessary to make the connections to the heating tank. It is recommended to cut these tubes to the proper length to remove any unnecessary loops or low spots in tubing after installed.



9. Turn on the water and check for leaks.

# DW13050, LB13150 AND LB13250

## Little Butler® hot water and drinking water filtration faucets installation manual

### USAGE

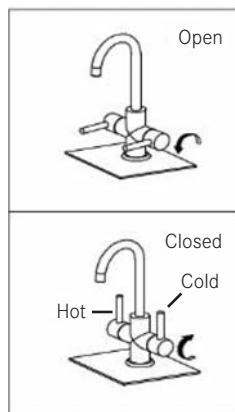
1. Pull the handle(s) forward to turn on the water supply. Both valves will stay in the 'on' position until rotated back to upright position

**NOTE:** The spout has a 360° swivel capability.

2. **⚠ WARNING** Do not operate both handles at the same time, as this can build up pressure in the heating tank causing the bladder to expand and eventually burst. Such damage is not covered by the warranty.

### 3. Seasonal Shutdown:

If you plan to be away from home for extended periods of time, refer to the filtration system and/or heating tank system instructions (if applicable) under the Winterizing or Seasonal Shutdown sections to prevent system failures.



### MAINTENANCE

#### 1. General Maintenance

Do not use harsh detergents, solvents, chemical agents, **ESPECIALLY CHLORINE BASED CLEANERS**, metallic sponges, etc. that could harm the surface and damage the finish. Clean only with soft sponge and soapy water.

#### 2. Trouble Shooting

Problem	Possible Cause	Recommended Action
Water spews and steams forcefully from the spout with the dispenser in the off position	<ul style="list-style-type: none"> <li>- The heating tank is boiling because temperature setting is too high</li> <li>- The heating tank is boiling because there may be a problem with internal heating mechanism</li> </ul>	<ul style="list-style-type: none"> <li>- Lower temperature adjustment on the heating tank. Turn on faucet lever and run water until stream is normal again. If spewing returns, lower temperature again until spewing stops.</li> </ul>
Water is not hot	<ul style="list-style-type: none"> <li>- The heating tank is unplugged</li> <li>- The power supply to the heating tank is inoperable</li> <li>- There may be a problem with the internal heating mechanism on the heating tank</li> </ul>	<ul style="list-style-type: none"> <li>- Make sure heating tank is connected to a properly grounded electric outlet</li> <li>- Make sure the circuit breaker or fuses are functioning properly</li> </ul>
Water is dripping from spout intermittently	<ul style="list-style-type: none"> <li>- This is normal during water heating cycles but should only occur for a few minutes. If dripping is continual it could be low water pressure to the heating tank</li> </ul>	<ul style="list-style-type: none"> <li>- Check the supply valve to ensure it is fully open and there are no obstructions or kinks in the water lines. Also check for clogged water filters</li> <li>- Check supply hoses for loops or low sections</li> </ul>

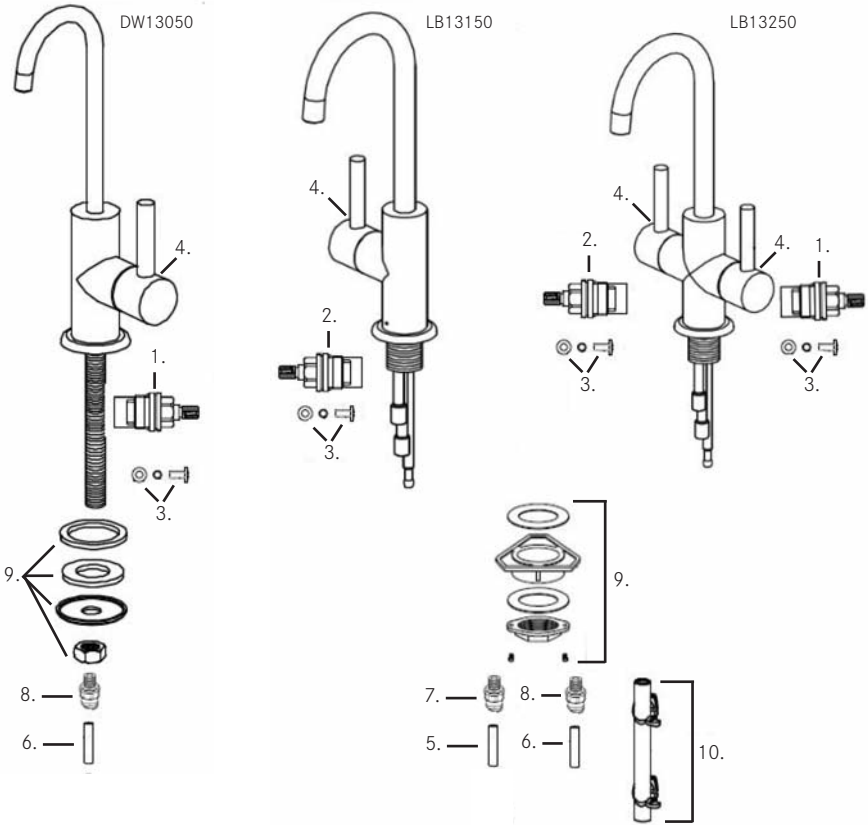


# DW13050, LB13150 AND LB13250

Little Butler® hot water and drinking water filtration faucets installation manual

### 3. Replacement Parts

Model #	Replacement Part # for Identified Parts									
	#1 Cold Cartridge	#2 Hot Cartridge	#3 Cartridge Connector Kit	#4 Handle Assembly	#5 1/4" Water Supply Tubing	#6 3/8" Water Supply Tubing	#7 1/4" Push Fitting Adapter	#8 3/8" Push Fitting Adapter	#9 Fastening Set	#10 Silicone Tubing Kit
DW13050	F3401	-	F3403	F3404	-	10305	-	F3439	F3407	-
LB13150	-	F3402			F3405		F3406	F3438	F3408	F3409
LB13250	F3401				F3409					



# DW13050, LB13150 AND LB13250

## Little Butler® hot water and drinking water filtration faucets installation manual

---

### WARRANTY

Congratulations on the purchase of this Franke product! Franke is one of the world's largest manufacturers of kitchen systems. Our products are manufactured using the highest degree of technology, quality and design. As a result, we are proud to offer the following warranty:

Franke Inc. Kitchen Systems Division, warrants the quality of its water dispensing systems to be free from manufacturing defects for a period of five years from the date of purchase. This warranty applies only to the original owner, providing the product has been installed in accordance with these installation instructions, used as recommended and in a normal residential application. **In the event of a warranty claim, the owner will be required to provide proof of purchase - SAVE ORIGINAL SALES RECEIPT!** This warranty covers all components necessary to restore the product to good working condition. Franke reserves the right to inspect the installation prior to the replacement of the product or component part.

**Marine and Outdoor Installation:** Franke Consumer Products, Inc. faucets are **NOT** warranted for Marine and Outdoor installations.

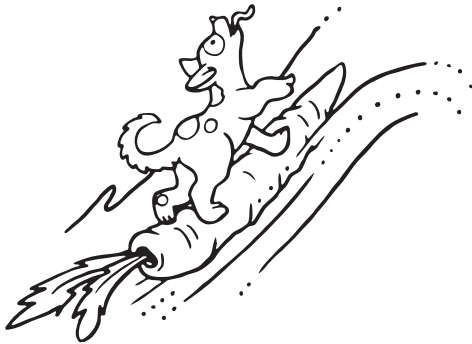
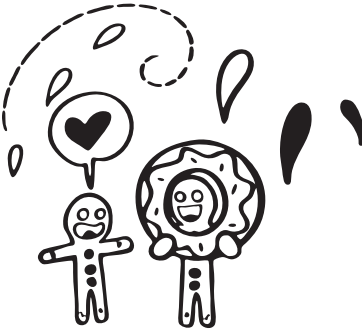
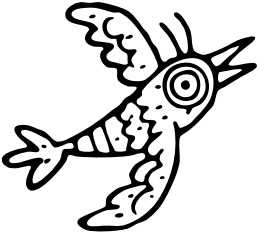
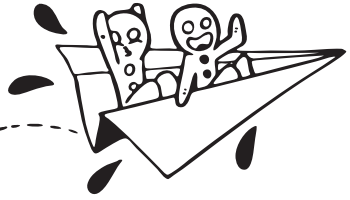
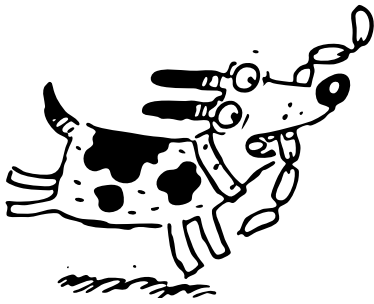
This warranty does not cover misuse or abuse, accidental damage, scuffs or scratches, abnormal usage, negligence or damage caused by improper maintenance or cleaning. Normal wear of parts is excluded from warranty. Damage caused by impurities or acts beyond Franke's control are not covered. Any product or part which has been repaired or altered in any manner outside of Franke's factory, unless previously authorized in writing by Franke, will void warranty. **Any replacement excludes transportation and any labor re-installation costs.** This warranty does not allow recovery of incidental or consequential damages such as loss of use, delay, property damage or other consequential damage, and Franke accepts no liability for such damages.

The Franke warranty is limited to the above condition and to the warranty period specified herein and is exclusive. Franke **DISCLAIMS** all other warranties, expressed or implied, including **IMPLIED WARRANTIES OF MERCHANTABILITY AND/OR FITNESS FOR A PARTICULAR PURPOSE**. This warranty gives you specific legal rights that may vary from state to state.

### FURTHER INFORMATION

For any further information about our products, about the installation of them, or about the guarantee, please contact our Customer Service Department:

Franke Consumer Products Inc.  
Kitchen Systems Division  
800 Aviation Parkway  
Smyrna, TN 37167  
Phone: 1-800-626-5771  
Fax: 1-888-685-0007  
[www.frankeksd.com](http://www.frankeksd.com)



Franke Kitchen Systems  
Luxury Products Group  
800 Aviation Parkway  
Smyrna, TN 37167  
800-626-5771  
[www.frankeksd.com](http://www.frankeksd.com)

Part No. INST-LB-STEEL  
Print 9/2015

© 2015 Franke Consumer Products, Inc.  
All rights reserved.

**MAKE IT WONDERFUL**

