

STANDARD MAINTENANCE AND TROUBLESHOOTING

Replacing the Cartridge

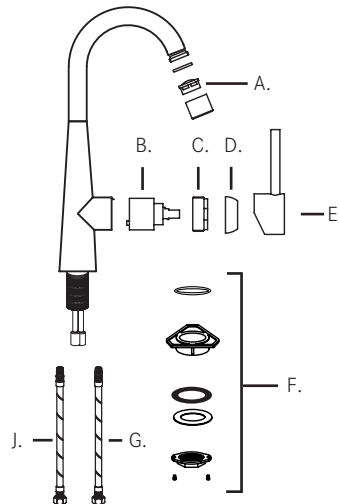
1. Shut off the water supply to the faucet
2. Turn on the faucet briefly to relieve any pressure inside the faucet
3. Move the faucet handle to the "OFF" position
4. Remove set screw from handle using an allen key
5. Pull the lever handle E from the faucet body
6. Unscrew the cartridge cap D
7. Unscrew the cartridge nut C
8. Lift ceramic disk cartridge B from the body and replace it with new cartridge. Ensure the 2 lugs on the bottom of the cartridge sit properly in the locating holes in the faucet body.
9. Re-assemble faucet in reverse order
10. Test for leakage

General Maintenance

- Clean aerator periodically for any buildup
- Do not use harsh detergents, solvents, chemical agents, especially any containing CHLORINE, or metallic sponges as these can damage the surface finish
- Clean only with soft sponge and soapy water
- **ATTENTION! For outdoor installation product must be protected from freezing temperatures.** Disconnect hot and cold supply hoses from home, open the handle to drain out all water. Cover faucet with protective covering to keep warm.

Spare/Replacement List

- | | | |
|----|-------|--------------------|
| A. | F3410 | Aerator and O-ring |
| B. | F0304 | Cartridge |
| C. | F3412 | Cartridge Nut |
| D. | F3413 | Cartridge Cap |
| E. | F3414 | Handle Assembly |
| F. | F3415 | Fastening Set |
| G. | F3416 | Hot Supply Hose |
| H. | F3417 | Cold Supply Hose |



LIMITED LIFETIME WARRANTY

Franke Kitchen Systems, LLC (Franke) extends the following warranty to the original purchaser of its faucets effective January 1, 2003.

All faucets installed in a private residence will carry a limited lifetime warranty on all mechanical parts to be free of manufacturing defects in material and workmanship under normal usage. This faucet is also warranted for **outdoor installations** for a period of five (5) years from the original date of purchase. All chrome finishes carry a limited lifetime warranty; all other finishes are warranted for five (5) years from the original date of purchase.

This warranty applies only to the original owner, providing the product has been installed in accordance with our installation instructions, used as recommended and in a normal residential application. In the event of a warranty claim, the owner will be required to provide proof of purchase - save sales receipt. This warranty covers all components which make the product operational. Franke, at its option, may repair or replace the product or components necessary to restore the product to good working condition. Franke reserves the right to inspect the installation prior to the actual replacement of the product or component part. This warranty does not cover misuse or abuse, accidental damages, scuffs or scratches, improper installation, abnormal usage, negligence or damage caused by improper maintenance or cleaning. Normal wear of parts is excluded from the warranty. Damage caused by impurities or acts beyond our control are not covered. Any product or part which has been repaired or altered in any manner outside of Franke's factory, unless previously authorized in writing by Franke, will void warranty. **Any replacement excludes transportation and any labor re-installation costs.** This warranty does not allow recovery of incidental or consequential damages such as loss of use, delay, property damage or other consequential damage, and Franke accepts no liability for such damages.

The Franke warranty is limited to the above conditions and to the warranty period specified herein and is exclusive. Franke DISCLAIMS all other warranties, expressed or implied, including IMPLIED WARRANTIES OF MERCHANTABILITY AND/OR FITNESS FOR A PARTICULAR PURPOSE. This warranty gives you specific legal rights that may vary from state to state.

Further information

For any further information about our products, about the installation of them or about the guarantee, please contact the customer service department at:

Franke Kitchen Systems, LLC
Kitchen Systems Division
800 Aviation Parkway
Smyrna, TN 37167
Phone: 1-800-626-5771
Fax: 1-888-685-0007
www.franke.us/ks.com

INSTALLATION MANUAL

STEEL

FFB3450 Bar Faucet



MAKE IT WONDERFUL



TECHNICAL DATA

- Flow rate – 1.75 gpm at 60 psi
- Recommended water pressure – 30-85 psi
- Max water pressure – 115 psi
- Max water temperature – 158 F
- Hole size for faucet – 1 3/8"

Note

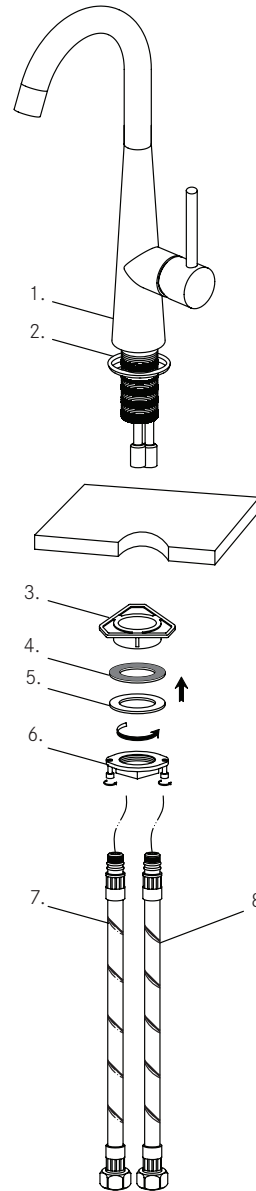
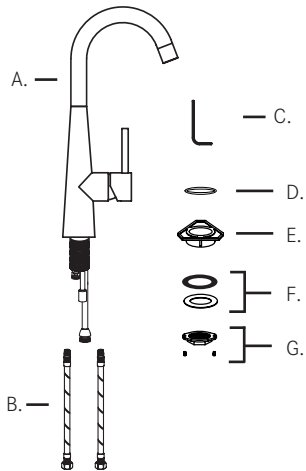
Contact us immediately if you see inconsistencies:

- Phone – 1-800-626-5771
- Email – ks-customerservice.us@franke.com
- Website – www.franke.us/ks.com

Contents in Box



- A. Faucet assembly
- B. Supply hoses
- C. Allen wrench
- D. O-ring
- E. Plastic flange
- F. Rubber and steel washer
- G. Fixing nut



INSTALLATION INSTRUCTIONS

1. Remove all contents from the package and check for completeness.
2. Turn off water supply.
3. Remove faucet (1) and hardware from its protective packaging – faucet comes assembled. Remove fixing hardware.
4. Cut mounting hole 1 3/8" in diameter (35mm) in the desired position (if one isn't available).
5. Ensure rubber o-ring (2) is in the base of the faucet and install faucet into mounting hole – **DO NOT** use putty or other sealant at this location.
6. Install the mounting hardware to the base of the faucet body in the following order: Plastic flange (3), rubber washer (4), steel washer (5), and fixing nut (6). Tighten screws in fixing nut to secure faucet.
7. Connect supply hoses (7 & 8) to faucet, red on hot and blue on cold – **HAND TIGHT ONLY. DO NOT USE TOOLS.**
8. Connect the supply hoses (7 & 8) to the water supply in the home.
9. Remove the aerator by hand, turn on the water and flush the faucet for any debris. Check for leaks, and reinstall the aerator.

