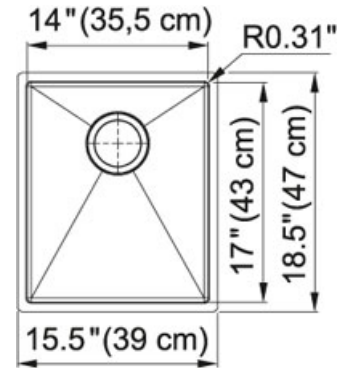


## Planar 8 PEX110-14 Stainless Steel | 122.0325.217

FAMILY : Sinks | SERIE : Planar 8 | MODEL : PEX110-14 | FINISH : Stainless Steel | INSTALLATION TYPE : Undermount | STYLE : Contemporary



### TECHNICAL DATA

Minimum Cabinet Size	18"
Drain Opening	3 1/2"
Length overall	15 1/2"
Width overall	18 1/2"
Length of large bowl	14"
Width of large bowl	17"
Depth of large bowl	9 1/2"
Number of Bowls	1
Type of Material	18 Gauge Stainless Steel
Cut-Out Template	Yes
Installation Clips	Yes
Where to buy	Showroom
Where to buy	Showroom

# Planar 8 PEX110-14 Stainless Steel | 122.0325.217

FAMILY : Sinks | SERIE : Planar 8 | MODEL : PEX110-14 | FINISH : Stainless Steel | INSTALLATION TYPE : Undermount | STYLE : Contemporary

---

## RELATED PARTS

---



---

119.0068.287

---



---

119.0066.616

---



---

133.0204.098

---



---

134.0297.202

---



---

120.0293.717

---



---

115.0338.625

---