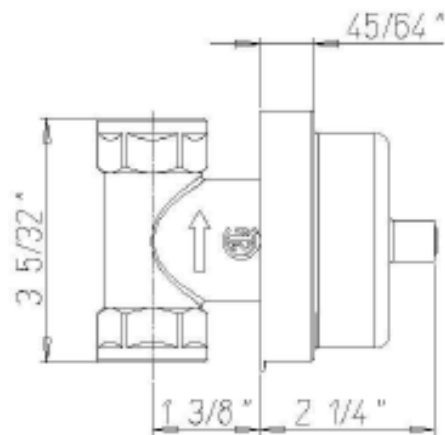
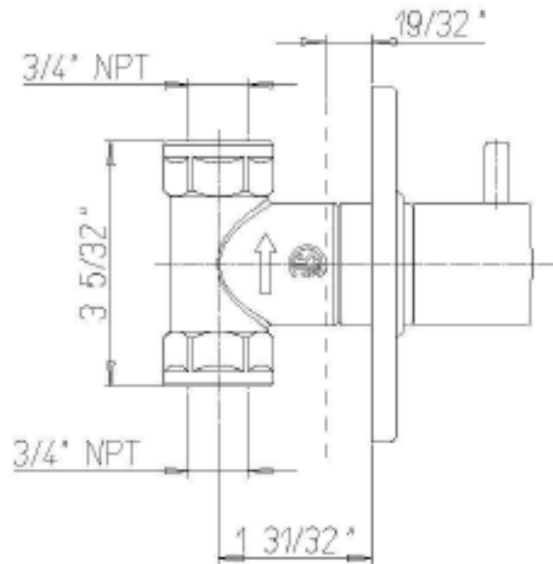
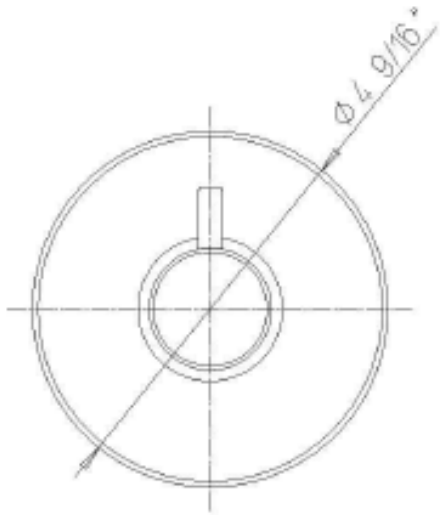


## Serie Rough-in Valve

### VALVE402

3/4" Volume Control Rough-in Valve



## ROUGH IN VALVE ONLY

### VALVE402

3/4" Volume Control

#### STANDARDS

- Compliant with ASME A112.18.1-B125.1 requirements
- Certified By CSA international

#### *Finishes*

Polished Chrome

Brushed Nickel

#### *Features*

Solid Brass Construction

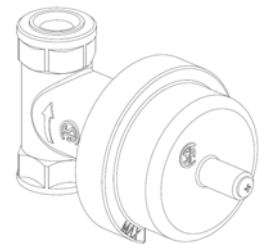
Ceramic Disc Valving

3/4" NPT Inlets

Progressive Volume Control

Step-By-Step Installation Instructions

Limited Lifetime Warranty



Project: \_\_\_\_\_

Contractor: \_\_\_\_\_