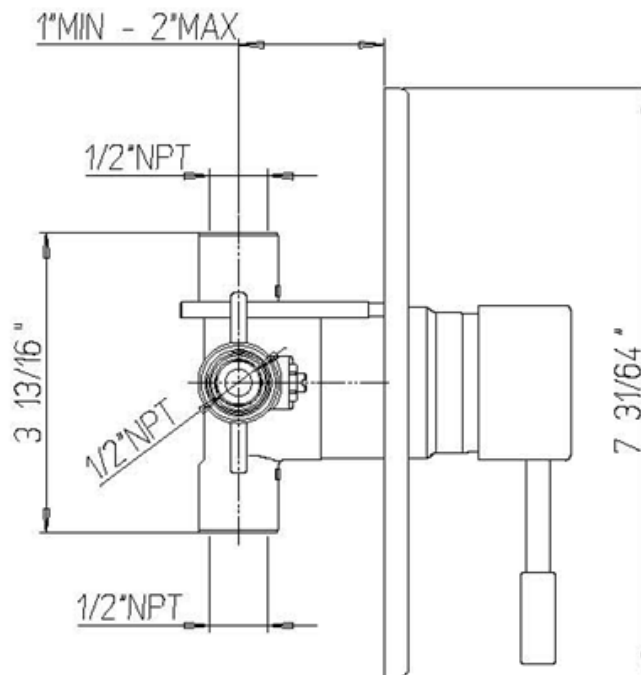


INSTALLATION DIMENSIONS

Serie Rough-in Valve

VALVE697

Pressure Balance Shower Only
Rough-in Valve



1-877-55-FORTIS (36784)

19701 Da Vinci
Lake Forest, CA 92610

WWW.FORTISFAUCET.COM

FORTIS
PURO DESIGN ITALIANO

ROUGH IN VALVE ONLY

VALVE697

Pressure Balance Shower valve only

STANDARDS

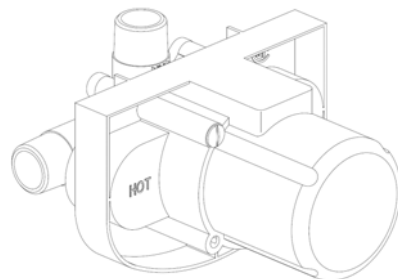
- Compliant with ASME A112.18.1-B125.1
- Compliant with ASSE 1016
- Certified by CSA International
- Compliant with ANSI A117.1

Finishes

UNIVERSAL PRESSURE BALANCE VALVE
FOR ALL TRIM AVAILABLE

Features

Pressure Balance Shower valve only
½" NPT inlet
Step-By-Step Installation Instructions
Limited Lifetime Warranty
Includes Test Plug



Project: _____

Contractor: _____