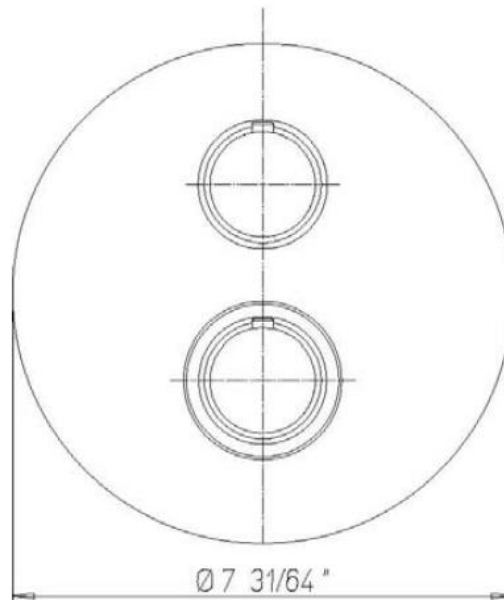


INSTALLATION DIMENSIONS

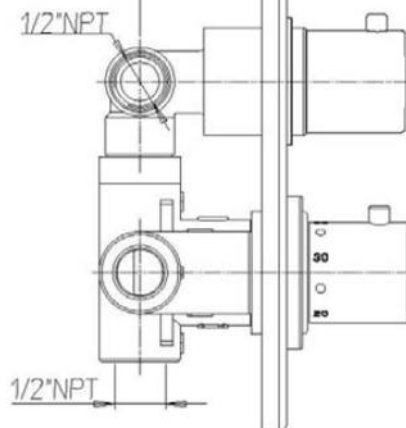
Serie Rough-In Valve

VALVE691

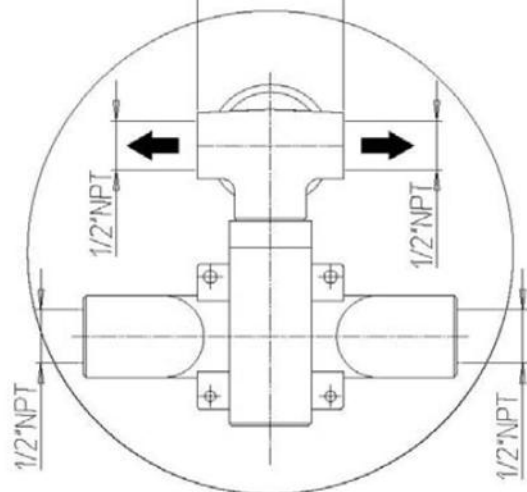
1/2" Thermo Shower with Diverter & Volume Control
Rough-in Valve



1 3/8" MIN - 1 31/32" MAX



2 1/4"



1-877-55-FORTIS (36784)

19701 Da Vinci
Lake Forest, CA 92610

WWW.FORTISFAUCET.COM

FORTIS
PURO DESIGN ITALIANO

ROUGH IN VALVE ONLY

VALVE691

1/2" Thermostatic Valve with
Diverter & Volume Control

STANDARDS

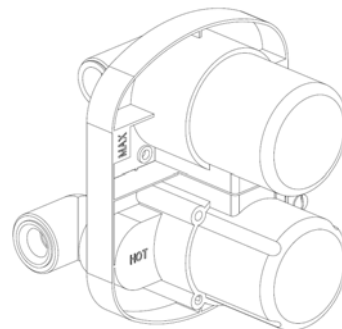
- Compliant with ASME A112.18.1-B125.1
- Compliant with ASSE 1016
- Certified by CSA International

Finishes

UNIVERSAL THERMO VALVE WITH DIVERTER
FOR ALL TRIM AVAILABLE

Features

Solid Brass Construction
1/2" Stacked Thermostatic Valve Featuring Ceramic Discs
High Flow Valve Supports Multiple Outlets
1/2" NPT Inlets
Diverter with Progressive Volume Control
Independent Temperature Control
Step-By-Step Installation Instructions
Limited Lifetime Warranty



Project: _____
Contractor: _____