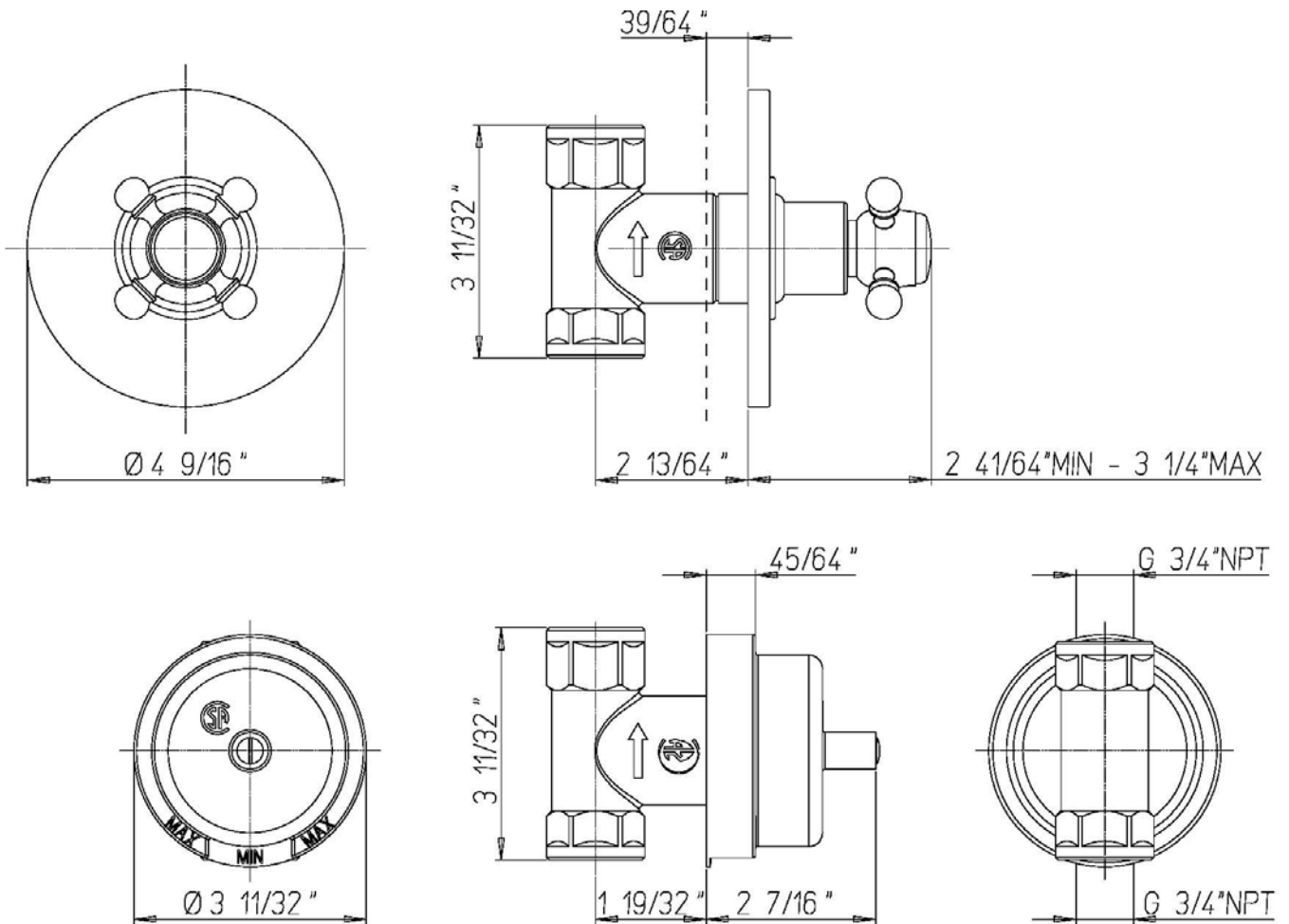


INSTALLATION DIMENSIONS

**Serie Caffè**

8840200

Trim for 1/2" & 3/4" Volume control



1-877-55-FORTIS (36784)

19701 Da Vinci  
Lake Forest, CA 92610

WWW.FORTISFAUCET.COM

**FORTIS**  
FURO DESIGN ITALIANO

## Serie Caffè

8840200

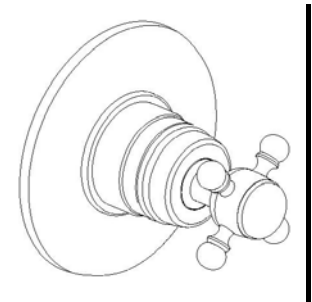
Trim for ½” & ¾” Volume control

### STANDARDS

- Compliant with ASME A112.18.1-B125.1 requirements
- Certified By CSA international

<b>Finishes</b>	8840200PC	8840200BN	8840200TB
Polished Chrome	X		
Brushed Nickel		X	
Tuscan Bronze			X

<b>Features</b>	8840200PC	8840200BN	8840200TB
Solid Brass Construction	X	X	X
Ceramic Disc Valving	X	X	X
¾” NPT or ½” NPT inlet	X	X	X
Progressive Volume Control	X	X	X
Kit Includes Trim	X	X	X
Step-By-Step Installation Instructions	X	X	X
Limited Lifetime Warranty	X	X	X



Project: \_\_\_\_\_  
 Contractor: \_\_\_\_\_

## Serie Caffè

8840200

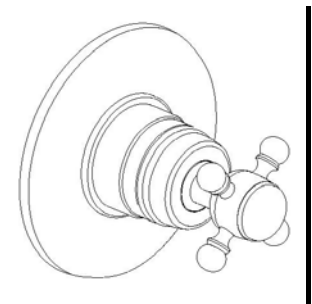
Trim for ½” & ¾” Volume control

### STANDARDS

- Compliant with ASME A112.18.1-B125.1 requirements
- Certified By CSA international

<b>Finishes</b>	8840200PC	8840200BN	8840200TB
Polished Chrome	X		
Brushed Nickel		X	
Tuscan Bronze			X

<b>Features</b>	8840200PC	8840200BN	8840200TB
Solid Brass Construction	X	X	X
Ceramic Disc Valving	X	X	X
¾” NPT or ½” NPT inlet	X	X	X
Progressive Volume Control	X	X	X
Kit Includes Trim	X	X	X
Step-By-Step Installation Instructions	X	X	X
Limited Lifetime Warranty	X	X	X



Project: \_\_\_\_\_  
 Contractor: \_\_\_\_\_