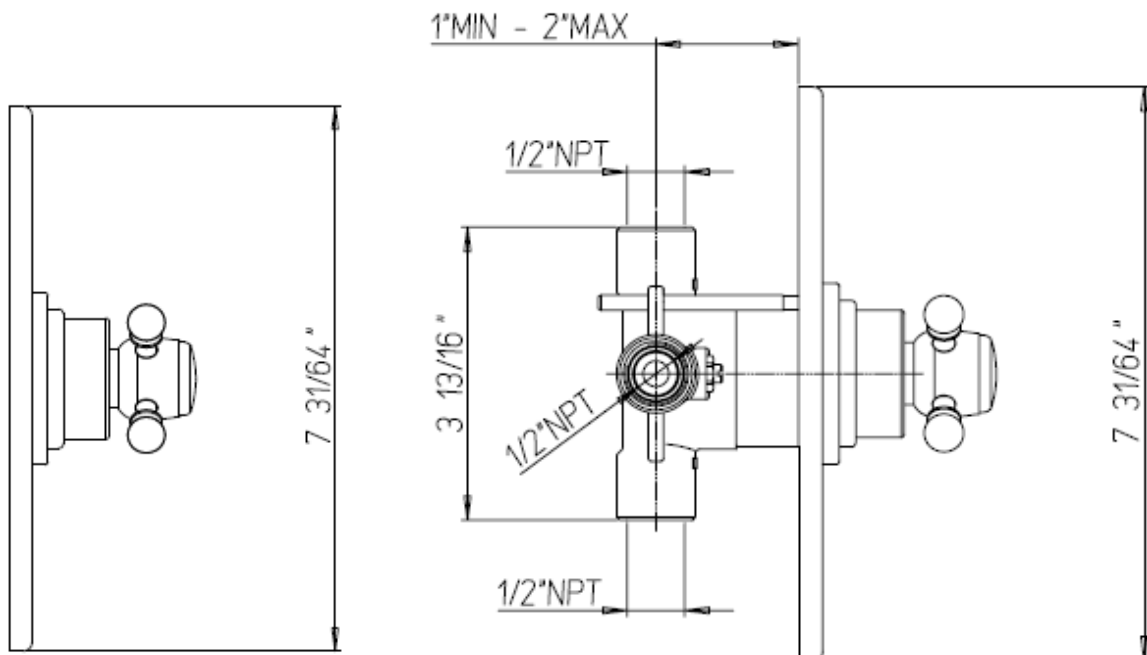


INSTALLATION DIMENSIONS

**Serie Caffè**

8868700

Pressure Balance Trim only



1-877-55-FORTIS (36784)

19701 Da Vinci  
Lake Forest, CA 92610

WWW.FORTISFAUCET.COM

**FORTIS.**  
PURO DESIGN ITALIANO

## Serie Caffè

8868700

Pressure Balance Trim only

### STANDARDS

- Compliant with ASME A112.18.1-B125.1
- Compliant with ASSE 1016
- Certified by CSA International

<b>Finishes</b>	8868700PC	8868700BN	8868700TB
Polished Chrome	X		
Brushed Nickel		X	
Tuscan Bronze			X

<b>Features</b>	8868700PC	8868700BN	8868700TB
Pressure Balance Trim	X	X	X
Includes pressure balance cartridge	X	X	X
1/2" Pressure Balance Valve featuring Ceramic Discs	X	X	X
1/2" NPT Inlets	X	X	X
ADA Compliant	X	X	X
Step-By-Step Installation Instructions	X	X	X
Limited Lifetime Warranty	X	X	X

Project: \_\_\_\_\_  
 Contractor: \_\_\_\_\_

