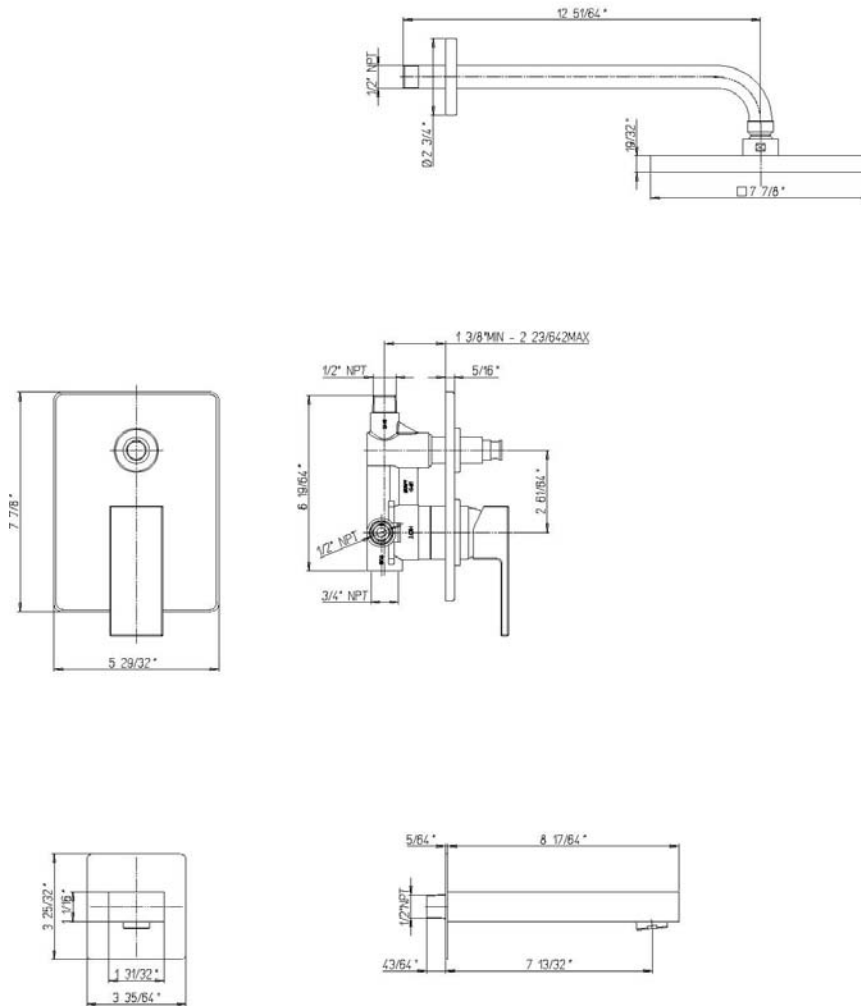


# INSTALLATION DIMENSIONS

## Serie Scala

8479700

Pressure Balance Tub & Shower  
Trim only



1-877-55-FORTIS (36784)

19701 Da Vinci  
Lake Forest, CA 92610

[WWW.FORTISFAUCET.COM](http://WWW.FORTISFAUCET.COM)

**FORTIS.**  
PURO DESIGN ITALIANO

## Serie Scala

8479700

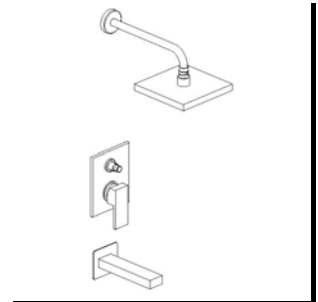
Pressure Balance Tub & Shower  
Trim only

### STANDARDS

- Comply with ASME A112.18.1-B125.1
- Comply with ASSE 1016
- Certified by CSA International
- Comply with ANSI A117.1 (Lever Only)

<b>Finishes</b>	8479700PC	8479700BN
Polished Chrome	X	
Brushed Nickel		X

<b>Features</b>	8479700PC	8479700BN
Pressure Balance Tub & Shower Trim & Kit	X	X
Includes pressure balance cartridge	X	X
Raincan Showerhead	X	X
Self Cleaning Spray Nozzles	X	X
Delivers 2.2gpm at 80psi MAX	X	X
Showerhead features Rotating Ball Joint	X	X
1/2" NPT Inlets		
Mechanical Diverter for Tub Spout	X	X
Step-By-Step Installation Instructions	X	X
Limited Lifetime Warranty	X	X



Project: \_\_\_\_\_  
Contractor: \_\_\_\_\_