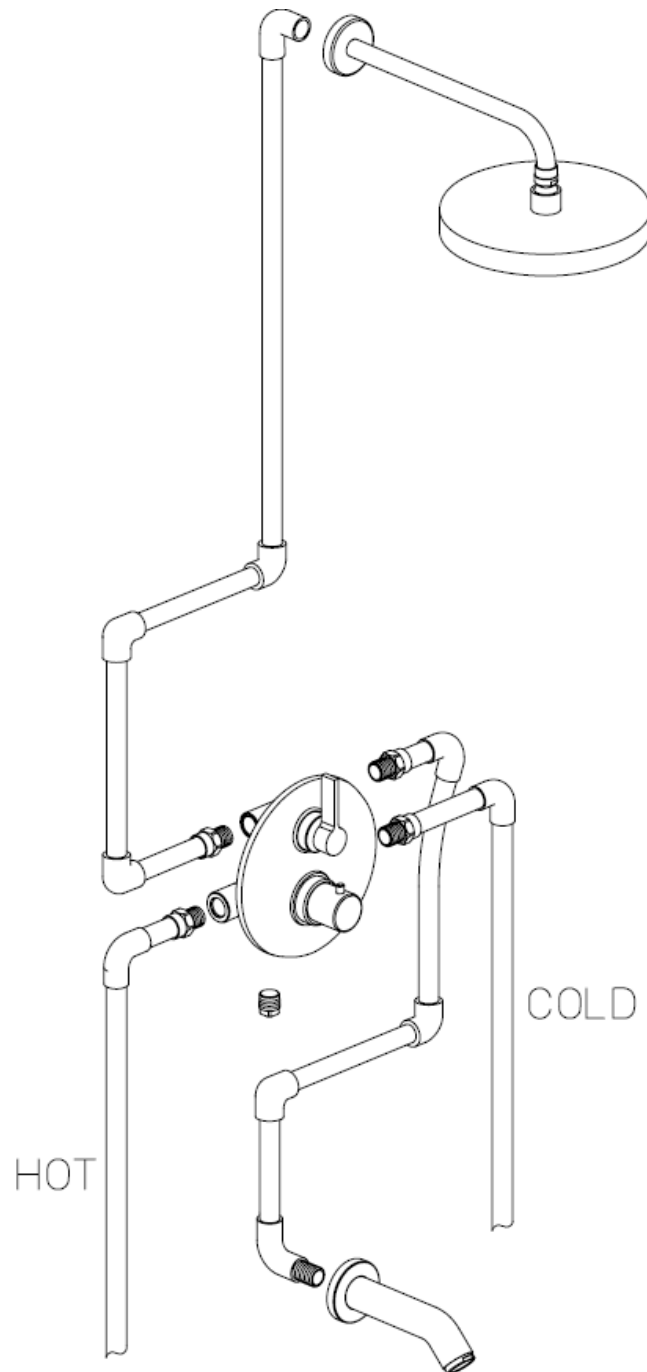


INSTALLATION DIMENSIONS

Serie Brera

92KIT03

Shower Kit 03



1-877-55-FORTIS (36784)

19701 Da Vinci
Lake Forest, CA 92610

WWW.FORTISFAUCET.COM

FORTIS.
FURO DESIGN ITALIANO

Serie Milano

7843000

Tub Spout

STANDARDS

- Comply with ASME A112.18.1-B125.1 requirements
- Certified By CSA international

Finishes	7843000PC	7843000BN
Polished Chrome	X	
Brushed Nickel		X

Features	7843000PC	7843000BN
Solid Brass Construction	X	X
½" NPT inlet connector	X	X
Non-Diverting, Polished Tub Spout	X	X
Step by Step Installation Instructions	X	X
Limited Lifetime Warranty	X	X

Project: _____

Contractor: _____



Serie Brera

9269100

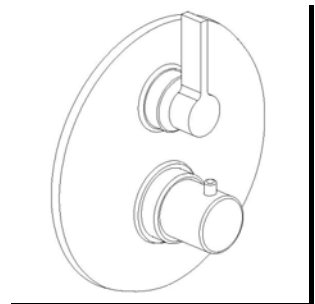
1/2" Thermostatic Valve with
Diverter & Volume Ctrl Trim only

STANDARDS

- Compliant with ASME A112.18.1-B125.1
- Compliant with ASSE 1016
- Certified by CSA International
- Compliant with ANSI A117.1 (Lever only)

Finishes	9269100PC	9269100BN
Polished Chrome	X	
Brushed Nickel		X

Features	9269100PC	9269100BN
Solid Brass Construction	X	X
1/2" Stacked Thermostatic Valve Featuring Ceramic Discs	X	X
High Flow Valve Supports Multiple Outlets	X	X
Kit Includes Trim and Thermostatic cartridge	X	X
1/2" NPT Inlets	X	X
Diverter with Progressive Volume Control	X	X
Independent Temperature Control	X	X
Step-By-Step Installation Instructions	X	X
Limited Lifetime Warranty	X	X



Project: _____
Contractor: _____

Serie Milano

7875000

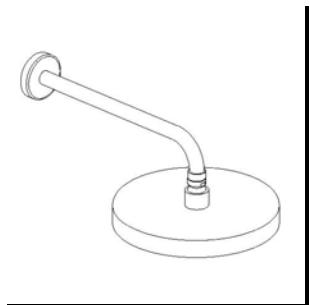
Showerhead Kit

STANDARDS

- Compliant with ASME A112.18.1-B125.1
- Certified by CSA International

Finishes	7875000PC	7875000BN
Polished Chrome	X	
Brushed Nickel		X

Features	7875000PC	7875000BN
Raincan Showerhead Kit with Matching 12" arm and flange	X	X
Delivers 2.5gpm at 80psi MAX	X	X
Showerhead features Rotating Ball Joint	X	X
1/2" NPT Inlets	X	X
Self Cleaning Spray Nozzles	X	X
Step-By-Step Installation Instructions	X	X
Limited Lifetime Warranty	X	X



Project: _____
 Contractor: _____