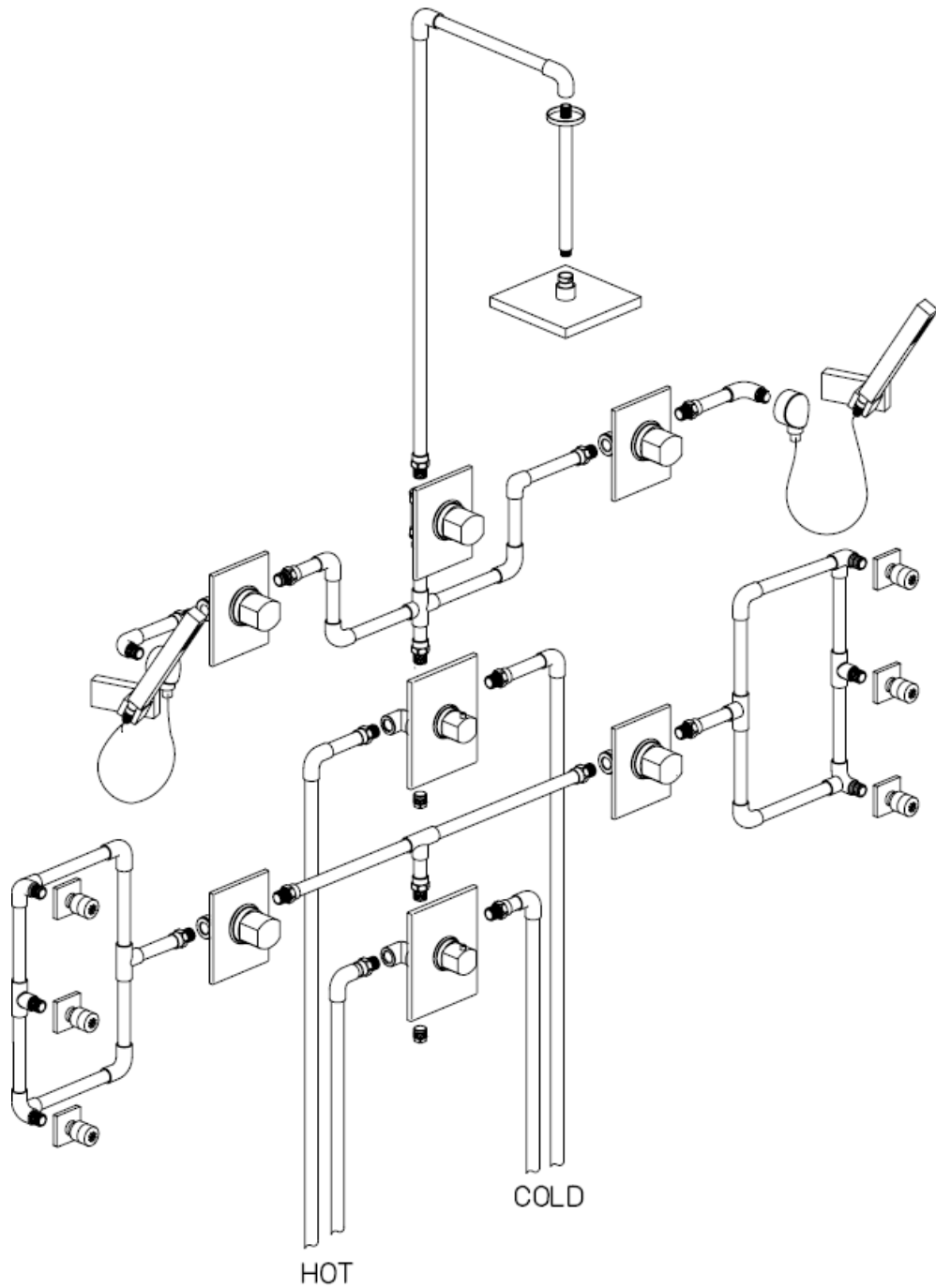


Serie Scala

84KIT08

Shower Kit 08



Serie Scala

8413100

Wallmounted Handshower Set

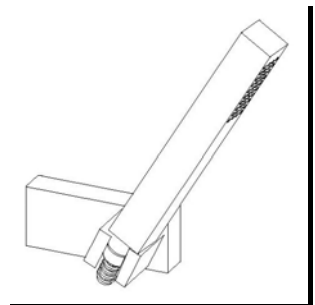
STANDARDS

- Compliant with ASME A112.18.1-B125.1 requirements
- Certified By CSA international

Finishes	8413100PC	8413100BN
Polished Chrome	X	
Brushed Nickel		X

Features	8413100PC	8413100BN
Wallmount Handshower Kit	X	X
Hand Shower with Dual Check Valves	X	X
Back Flow Prevention System	X	X
Includes: Hand Shower, Hose, Slide Bar, and Drop Elbow	X	X
60" Metal Hose with Matching Finish	X	X
Self Cleaning Spray Head	X	X
Step By Step Installation Instructions	X	X
Limited Lifetime Warranty	X	X

Project: _____
 Contractor: _____



Serie Scala

8475900

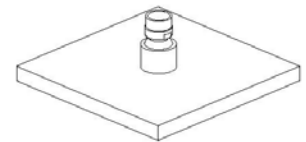
8" Raincan Showerhead, Square Design

STANDARDS

- Compliant with ASME A112.18.1-B125.1 requirements
 - Certified By CSA international

Finishes	8475900PC	8475900BN
Polished Chrome	X	
Brushed Nickel		X

Features	8475900PC	8475900BN
Raincan Showerhead	X	X
Delivers 2.5gpm at 80psi MAX	X	X
Showerhead features Rotating Ball Joint	X	X
1/2" NPT Inlets	X	X
Self Cleaning Spray Nozzles	X	X
Step-By-Step Installation Instructions	X	X
Limited Lifetime Warranty	X	X



Project: _____
 Contractor: _____

Serie Scala

8472100

Body Spray

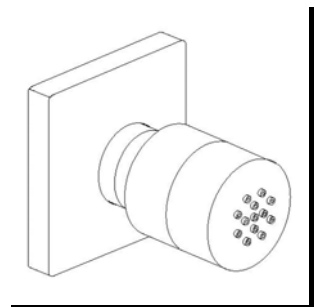
STANDARDS

- Compliant with ASME A112.18.1-B125.1 requirements
- Certified By CSA international

Finishes	8472100PC	8472100BN
Polished Chrome	X	
Brushed Nickel		X

Features	8472100PC	8472100BN
Invigorating Body Jet	X	X
Delivers 2.5gpm at 80psi MAX	X	X
Sprayer features 30° Rotation	X	X
1/2" NPT Inlets	X	X
Self Cleaning Spray Nozzles	X	X
Step-By-Step Installation Instructions	X	X
Limited Lifetime Warranty	X	X

Project: _____
 Contractor: _____



Serie Scala

8471100

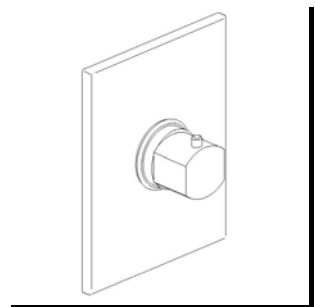
Thermostatic Trim Kit for 3/4" valve

STANDARDS

- Compliant with ASME A112.18.1-B125.1
- Compliant with ASSE 1016
- Certified by CSA International

Finishes	8471100PC	8471100BN
Polished Chrome	X	
Brushed Nickel		X

Features	8471100PC	8471100BN
Solid Brass Construction	X	X
3/4" Thermostatic Valve featuring Ceramic Discs	X	X
Kit Includes Trim & Thermostatic cartridge	X	X
High Flow Thermostatic Valve Supports Multiple Outlets	X	X
3/4" NPT Inlets	X	X
Safety High Limit Temperature Stop	X	X
Step-By-Step Installation Instructions	X	X
Limited Lifetime Warranty	X	X



Project: _____
 Contractor: _____

Serie Scala

8440200

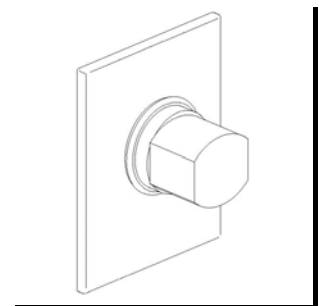
Trim for 1/2" & 3/4" Volume control

STANDARDS

- Compliant with ASME A112.18.1-B125.1 requirements
- Certified By CSA international

Finishes	8440200PC	8440200BN
Polished Chrome	X	
Brushed Nickel		X

Features	8440200PC	8440200BN
Solid Brass Construction	X	X
Ceramic Disc Valving	X	X
3/4" NPT or 1/2" NPT inlet	X	X
Progressive Volume Control	X	X
Kit Includes Trim	X	X
Step-By-Step Installation Instructions	X	X
Limited Lifetime Warranty	X	X



Project: _____

Contractor: _____