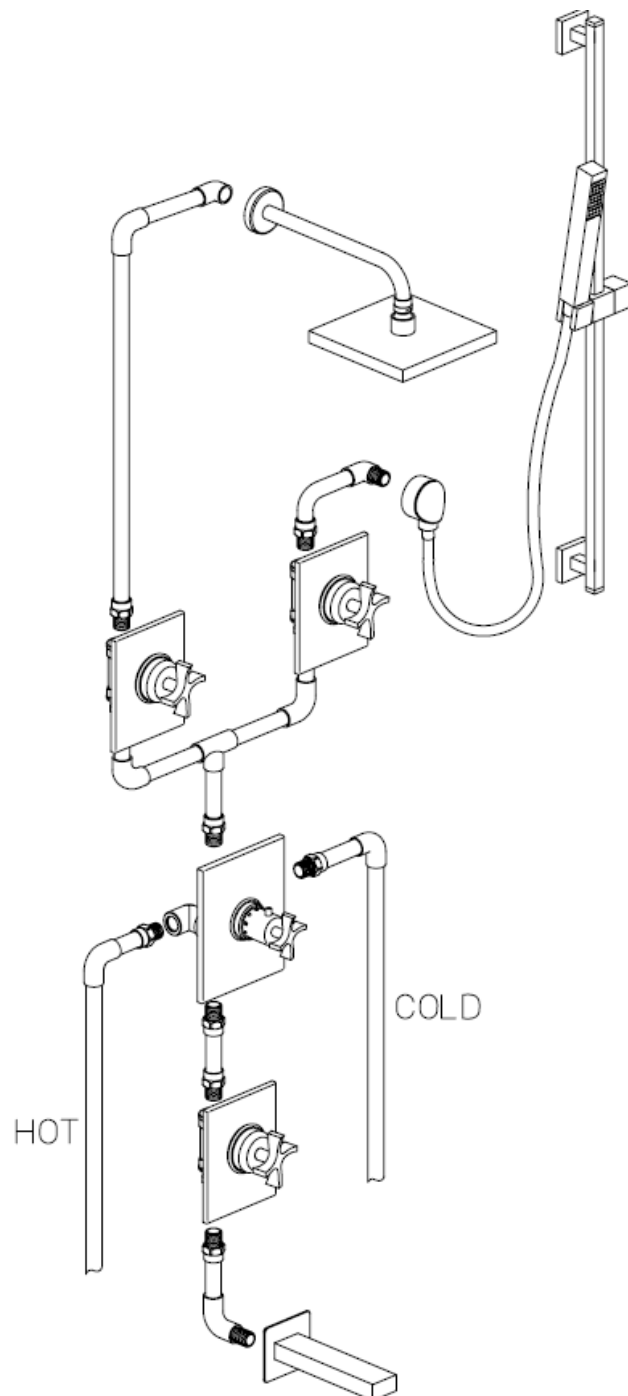


Serie Siena

85KIT06

Shower Kit 06



Serie Scala

8412900

Adjustable Slidebar Handshower Set

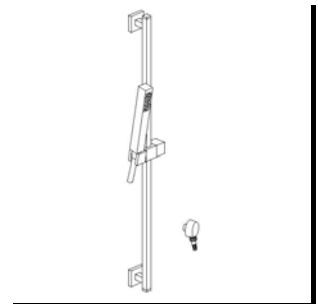
STANDARDS

- Compliant with ASME A112.18.1-B125.1 requirements
- Certified By CSA international

Finishes	8412900PC	8412900BN
Polished Chrome	X	
Brushed Nickel		X

Features	8412900PC	8412900BN
24" Adjustable Brass Slide Bar	X	X
Hand Shower with Dual Check Valves	X	X
Back Flow Prevention System	X	X
Includes: Hand Shower, Hose, Slide Bar, and Drop Elbow	X	X
60" Hose with Matching Finish	X	X
Self Cleaning Spray Head	X	X
Step By Step Installation Instructions	X	X
Limited Lifetime Warranty	X	X

Project: _____
 Contractor: _____



Serie Siena

8571100

Thermostatic Trim Kit for 3/4" Valve

STANDARDS

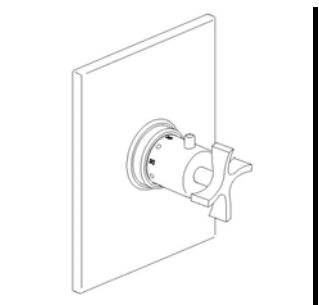
- Compliant with ASME A112.18.1-B125.1
- Compliant with ASSE 1016
- Certified by CSA International

Finishes

	8571100PC	8571100BN
Polished Chrome	X	
Brushed Nickel		X

Features

	8571100PC	8571100BN
Solid Brass Construction	X	X
3/4" Thermostatic Valve featuring Ceramic Discs	X	X
Kit Includes Trim & Thermostatic cartridge	X	X
High Flow Thermostatic Valve Supports Multiple Outlets	X	X
3/4" NPT Inlets	X	X
Safety High Limit Temperature Stop	X	X
Step-By-Step Installation Instructions	X	X
Limited Lifetime Warranty	X	X



Project: _____
 Contractor: _____

Serie Siena

8540200

Trim for ½” & ¾” Volume control

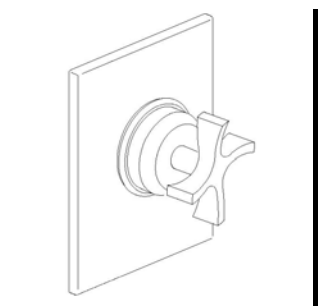
STANDARDS

- Comply with ASME A112.18.1-B125.1 requirements
- Certified By CSA international

Finishes	8540200PC	8540200BN
Polished Chrome	X	
Brushed Nickel		X

Features	8540200PC	8540200BN
Solid Brass Construction	X	X
Ceramic Disc Valving	X	X
¾” NPT or ½” NPT inlet	X	X
Progressive Volume Control	X	X
Kit Includes Trim	X	X
Step-By-Step Installation Instructions	X	X
Limited Lifetime Warranty	X	X

Project: _____
 Contractor: _____



Serie Scala

8475000

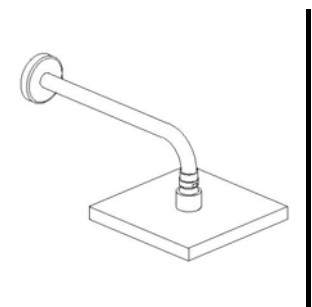
Showerhead Kit

STANDARDS

- Compliant with ASME A112.18.1-B125.1 requirements
- Certified By CSA international

Finishes	8475000PC	8475000BN
Polished Chrome	X	
Brushed Nickel		X

Features	8475000PC	8475000BN
Raincan Showerhead Kit with Matching 12" arm and flange	X	X
Delivers 2.5gpm at 80psi MAX	X	X
Showerhead features Rotating Ball Joint	X	X
1/2" NPT Inlets	X	X
Self Cleaning Spray Nozzles	X	X
Step-By-Step Installation Instructions	X	X
Limited Lifetime Warranty	X	X



Project: _____
 Contractor: _____

Serie Scala

8443000

Tub Spout

STANDARDS

- Compliant with ASME A112.18.1-B125.1 requirements
- Certified By CSA international

<i>Finishes</i>	8443000PC	8443000BN
Polished Chrome	X	
Brushed Nickel		X

<i>Features</i>	8443000PC	8443000BN
Solid Brass Construction	X	X
½" NPT inlet connector	X	X
Non-Diverting, Polished Tub Spout	X	X
Step by Step Installation Instructions	X	X
Limited Lifetime Warranty	X	X

Project: _____

Contractor: _____

