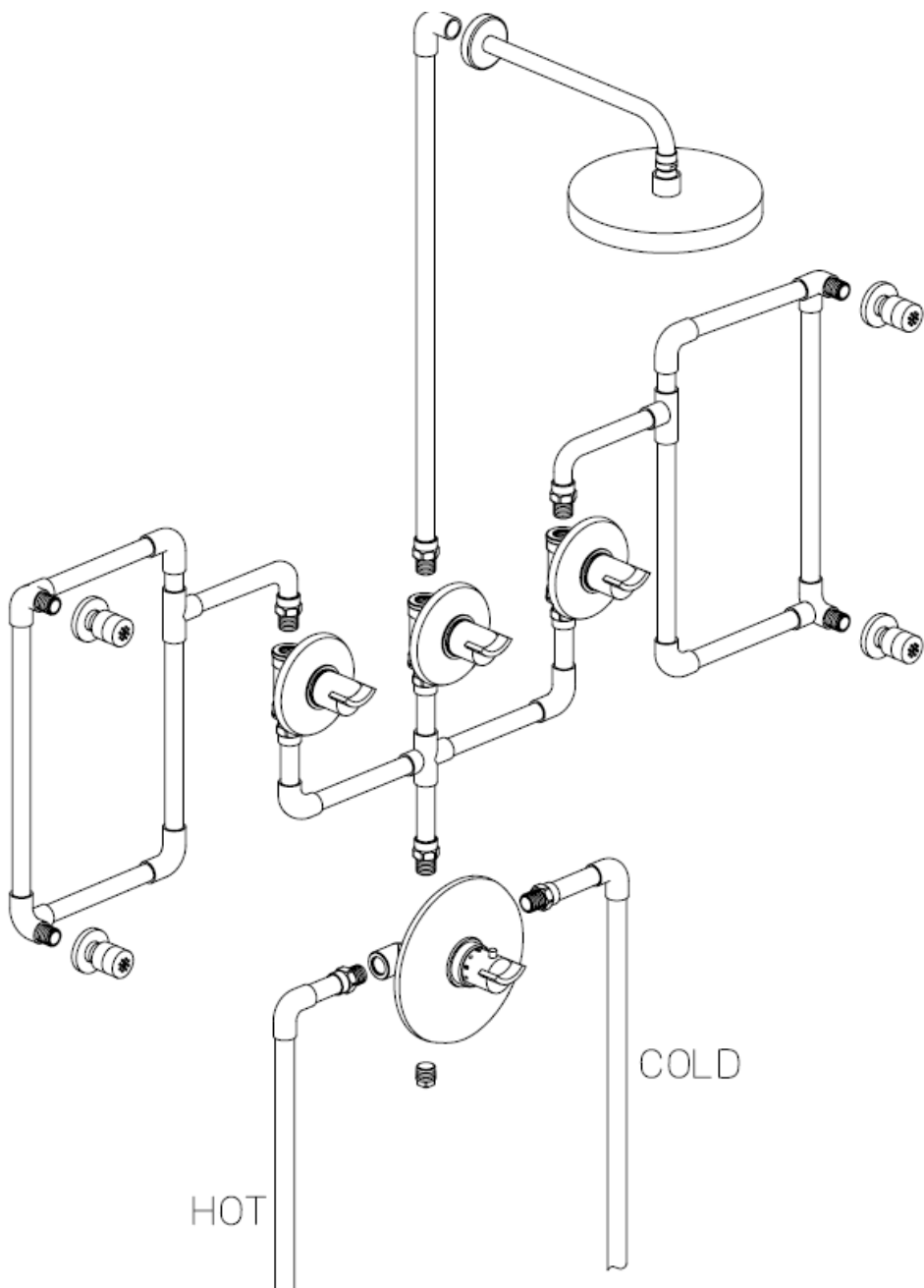


**Serie Roma**

73KIT07

Shower Kit 07



## Serie Roma

### 7340200

Trim for 1/2" & 3/4" Volume control

### STANDARDS

- Comply with ASME A112.18.1-B125.1 requirements
- Certified By CSA international

#### ***Finishes***

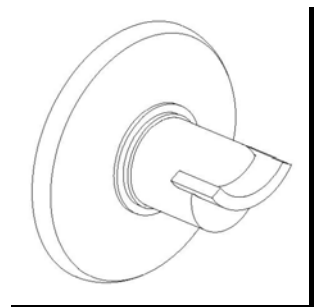
	7340200PC	7340200BN
Polished Chrome	X	
Brushed Nickel		X

#### ***Features***

	7340200PC	7340200BN
Solid Brass Construction	X	X
Ceramic Disc Valving	X	X
3/4" NPT or 1/2" NPT inlet	X	X
Progressive Volume Control	X	X
Kit Includes Trim	X	X
Step-By-Step Installation Instructions	X	X
Limited Lifetime Warranty	X	X

Project: \_\_\_\_\_

Contractor: \_\_\_\_\_



## Serie Milano

7875000

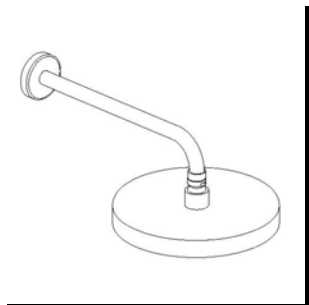
Showerhead Kit

### STANDARDS

- Compliant with ASME A112.18.1-B125.1
- Certified by CSA International

<b>Finishes</b>	7875000PC	7875000BN
Polished Chrome	X	
Brushed Nickel		X

<b>Features</b>	7875000PC	7875000BN
Raincan Showerhead Kit with Matching 12" arm and flange	X	X
Delivers 2.5gpm at 80psi MAX	X	X
Showerhead features Rotating Ball Joint	X	X
1/2" NPT Inlets	X	X
Self Cleaning Spray Nozzles	X	X
Step-By-Step Installation Instructions	X	X
Limited Lifetime Warranty	X	X



Project: \_\_\_\_\_  
 Contractor: \_\_\_\_\_

## Serie Milano

7872100

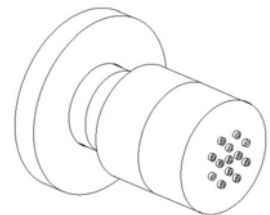
Body Spray

### STANDARDS

- Compliant with ASME A112.18.1-B125.1
- Certified by CSA International

<b>Finishes</b>	7872100PC	7872100BN
Polished Chrome	X	
Brushed Nickel		X

<b>Features</b>	7872100PC	7872100BN
Invigorating Body Jet	X	X
Delivers 2.5gpm at 80psi MAX	X	X
Sprayer features 30° Rotation	X	X
1/2" NPT Inlets	X	X
Self Cleaning Spray Nozzles	X	X
Step-By-Step Installation Instructions	X	X
Limited Lifetime Warranty	X	X



Project: \_\_\_\_\_  
 Contractor: \_\_\_\_\_

## Serie Roma

### 7371100

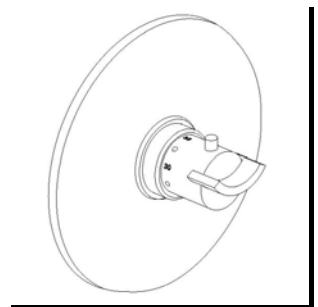
Thermostatic Trim Kit for ¾ Valve

### STANDARDS

- Compliant with ASME A112.18.1-B125.1
- Compliant with ASSE 1016
- Certified by CSA International

<b>Finishes</b>	7371100PC	7371100BN
Polished Chrome	X	
Brushed Nickel		X

<b>Features</b>	7371100PC	7371100BN
Solid Brass Construction	X	X
¾" Thermostatic Valve featuring Ceramic Discs	X	X
Kit Includes Trim & Thermostatic cartridge	X	X
High Flow Thermostatic Valve Supports Multiple Outlets	X	X
¾" NPT Inlets	X	X
Safety High Limit Temperature Stop	X	X
Step-By-Step Installation Instructions	X	X
Limited Lifetime Warranty	X	X



Project: \_\_\_\_\_  
 Contractor: \_\_\_\_\_