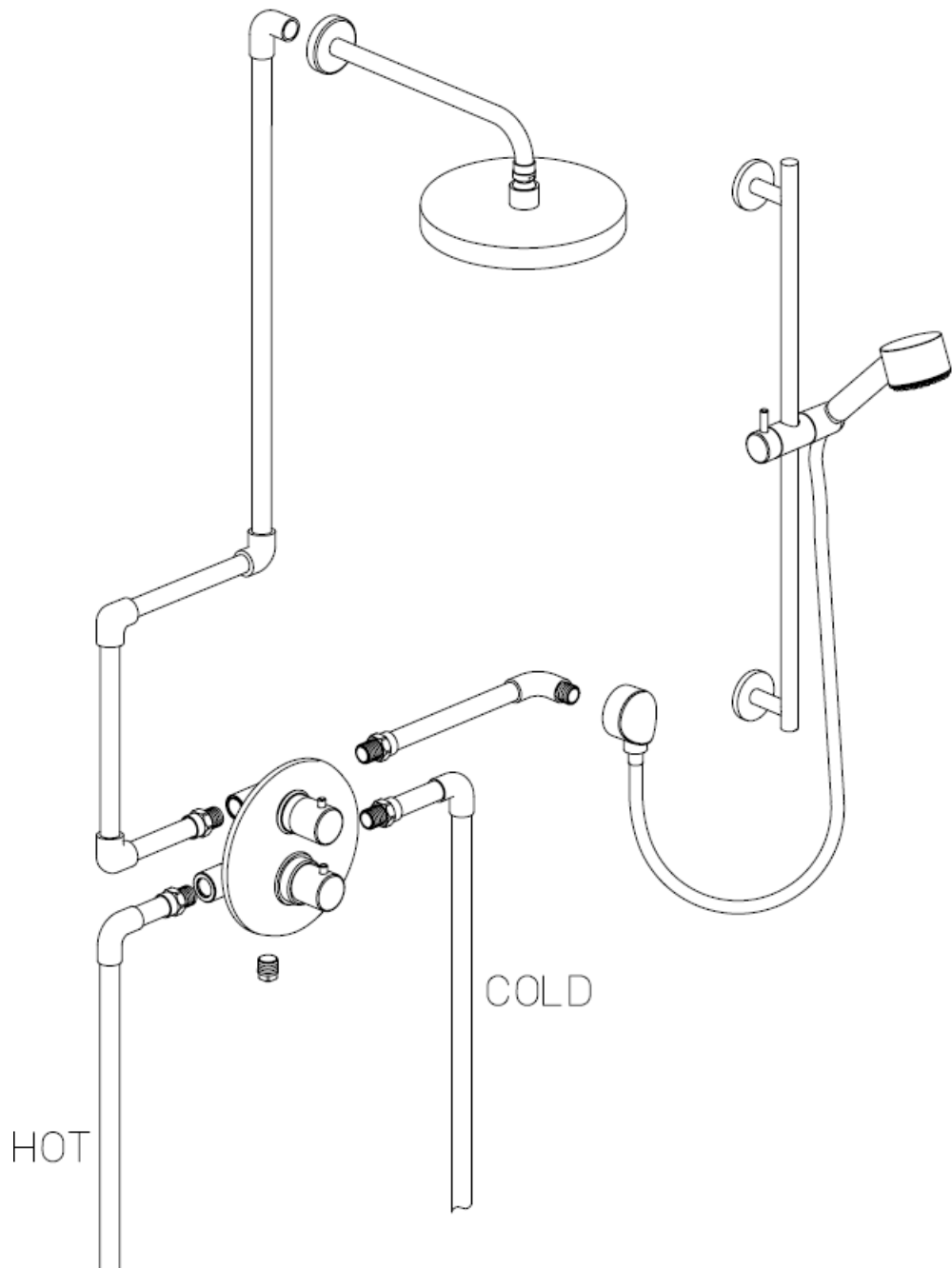


INSTALLATION DIMENSIONS

**Serie Milano**

89KIT04

Shower Kit 04



1-877-55-FORTIS (36784)

19701 Da Vinci  
Lake Forest, CA 92610

[WWW.FORTISFAUCET.COM](http://WWW.FORTISFAUCET.COM)

**FORTIS.**  
PURO DESIGN ITALIANO

## Serie Milano

7812900

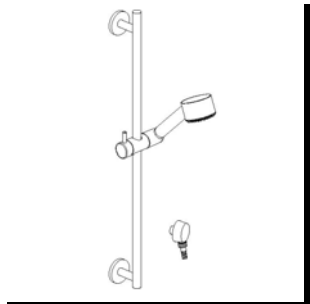
Adjustable Slidebar Handshower Set

### STANDARDS

- Compliant with ASME A112.18.1-B125.1 requirements
- Certified By CSA international

<b>Finishes</b>	7812900PC	7812900BN
Polished Chrome	X	
Brushed Nickel		X

<b>Features</b>	7812900PC	7812900BN
24" Adjustable Brass Slide Bar	X	X
Hand Shower with Dual Check Valves	X	X
Back Flow Prevention System	X	X
Includes: Hand Shower, Hose, Slide Bar, and Drop Elbow	X	X
60" Hose with Matching Finish	X	X
Self Cleaning Spray Head	X	X
Step By Step Installation Instructions	X	X
Limited Lifetime Warranty	X	X



Project: \_\_\_\_\_  
 Contractor: \_\_\_\_\_

## Serie Milano

7875000

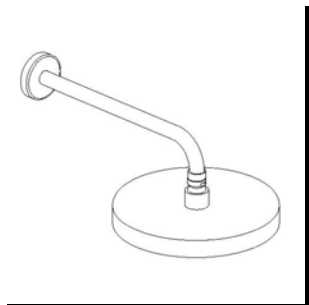
Showerhead Kit

### STANDARDS

- Compliant with ASME A112.18.1-B125.1
- Certified by CSA International

<b>Finishes</b>	7875000PC	7875000BN
Polished Chrome	X	
Brushed Nickel		X

<b>Features</b>	7875000PC	7875000BN
Raincan Showerhead Kit with Matching 12" arm and flange	X	X
Delivers 2.5gpm at 80psi MAX	X	X
Showerhead features Rotating Ball Joint	X	X
1/2" NPT Inlets	X	X
Self Cleaning Spray Nozzles	X	X
Step-By-Step Installation Instructions	X	X
Limited Lifetime Warranty	X	X



Project: \_\_\_\_\_  
 Contractor: \_\_\_\_\_

## Serie Milano

### 7869100

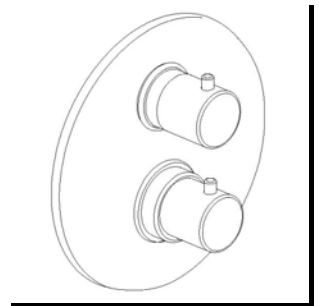
1/2" Thermostatic Valve with  
Diverter & Volume Ctrl Trim only

### STANDARDS

- Compliant with ASME A112.18.1-B125.1
- Compliant with ASSE 1016
- Certified by CSA International

<b>Finishes</b>	7869100PC	7869100BN
Polished Chrome	X	
Brushed Nickel		X

<b>Features</b>	7869100PC	7869100BN
Solid Brass Construction	X	X
1/2" Stacked Thermostatic Valve Featuring Ceramic Discs	X	X
High Flow Valve Supports Multiple Outlets	X	X
Kit Includes Trim & Thermostatic cartridge	X	X
1/2" NPT Inlets	X	X
Diverter with Progressive Volume Control	X	X
Independent Temperature Control	X	X
Step-By-Step Installation Instructions	X	X
Limited Lifetime Warranty	X	X



Project: \_\_\_\_\_  
Contractor: \_\_\_\_\_