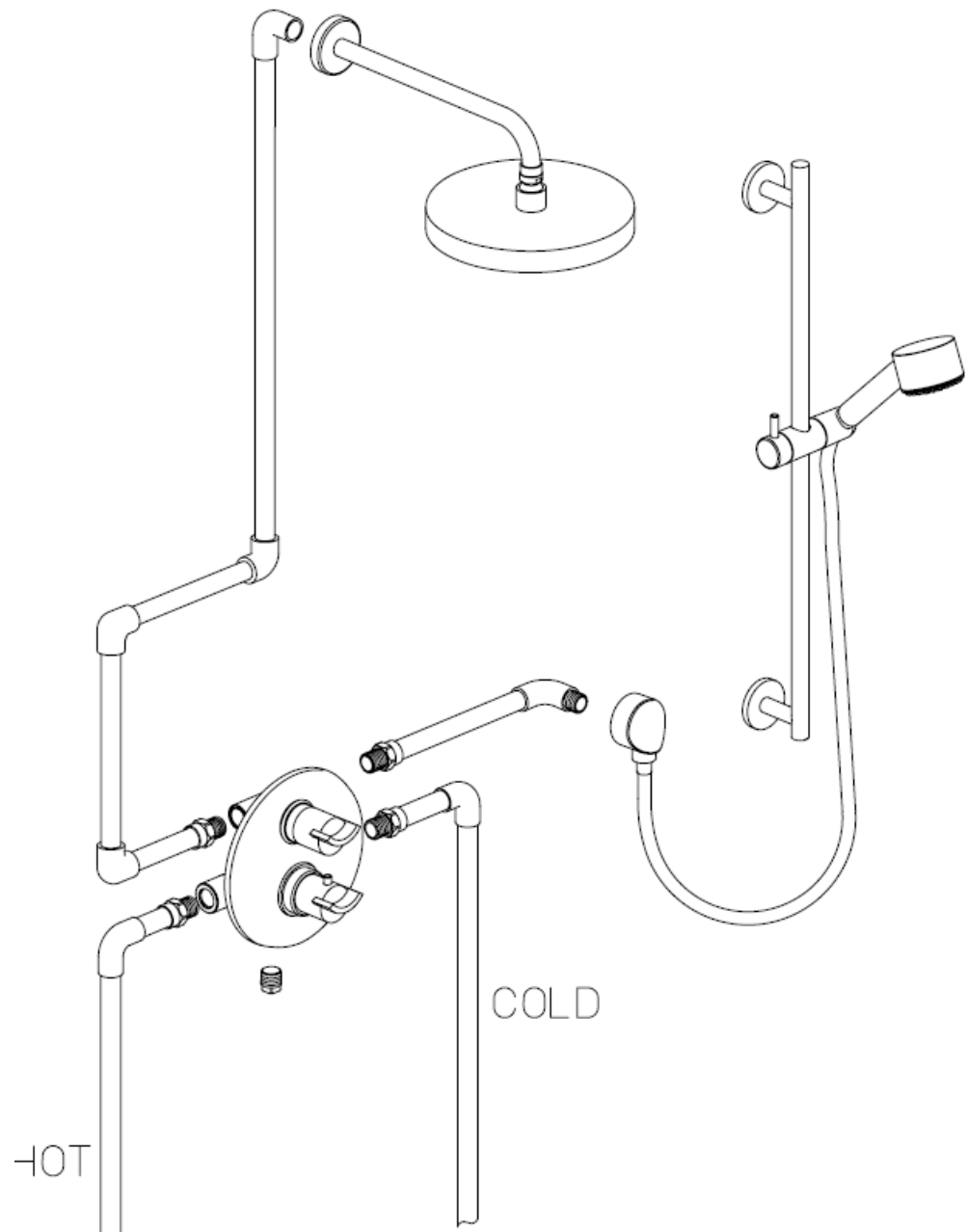


Serie Roma

73KIT04

Shower Kit 04



Serie Roma

7369100

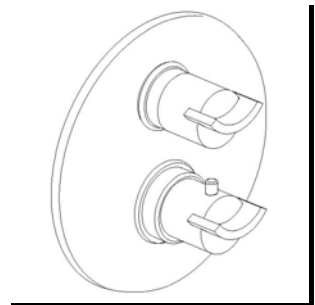
1/2" Thermostatic Valve with
Diverter & Volume Ctrl trim only

STANDARDS

- Compliant with ASME A112.18.1-B125.1
- Compliant with ASSE 1016
- Certified by CSA International

Finishes	7369100PC	7369100BN
Polished Chrome	X	
Brushed Nickel		X

Features	7369100PC	7369100BN
Solid Brass Construction	X	X
1/2" Stacked Thermostatic Valve Featuring Ceramic Discs	X	X
High Flow Valve Supports Multiple Outlets	X	X
Kit Includes Trim and Thermostatic cartridge	X	X
1/2" NPT Inlets	X	X
Diverter with Progressive Volume Control	X	X
Independent Temperature Control	X	X
Step-By-Step Installation Instructions	X	X
Limited Lifetime Warranty	X	X



Project: _____
Contractor: _____

Serie Milano

7875000

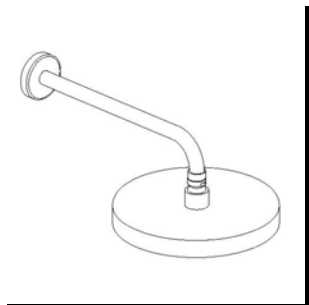
Showerhead Kit

STANDARDS

- Compliant with ASME A112.18.1-B125.1
- Certified by CSA International

Finishes	7875000PC	7875000BN
Polished Chrome	X	
Brushed Nickel		X

Features	7875000PC	7875000BN
Raincan Showerhead Kit with Matching 12" arm and flange	X	X
Delivers 2.5gpm at 80psi MAX	X	X
Showerhead features Rotating Ball Joint	X	X
1/2" NPT Inlets	X	X
Self Cleaning Spray Nozzles	X	X
Step-By-Step Installation Instructions	X	X
Limited Lifetime Warranty	X	X



Project: _____
 Contractor: _____

Serie Milano

7812900

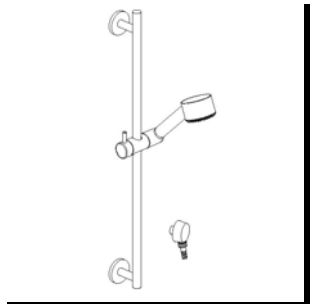
Adjustable Slidebar Handshower Set

STANDARDS

- Compliant with ASME A112.18.1-B125.1 requirements
- Certified By CSA international

Finishes	7812900PC	7812900BN
Polished Chrome	X	
Brushed Nickel		X

Features	7812900PC	7812900BN
24" Adjustable Brass Slide Bar	X	X
Hand Shower with Dual Check Valves	X	X
Back Flow Prevention System	X	X
Includes: Hand Shower, Hose, Slide Bar, and Drop Elbow	X	X
60" Hose with Matching Finish	X	X
Self Cleaning Spray Head	X	X
Step By Step Installation Instructions	X	X
Limited Lifetime Warranty	X	X



Project: _____
 Contractor: _____