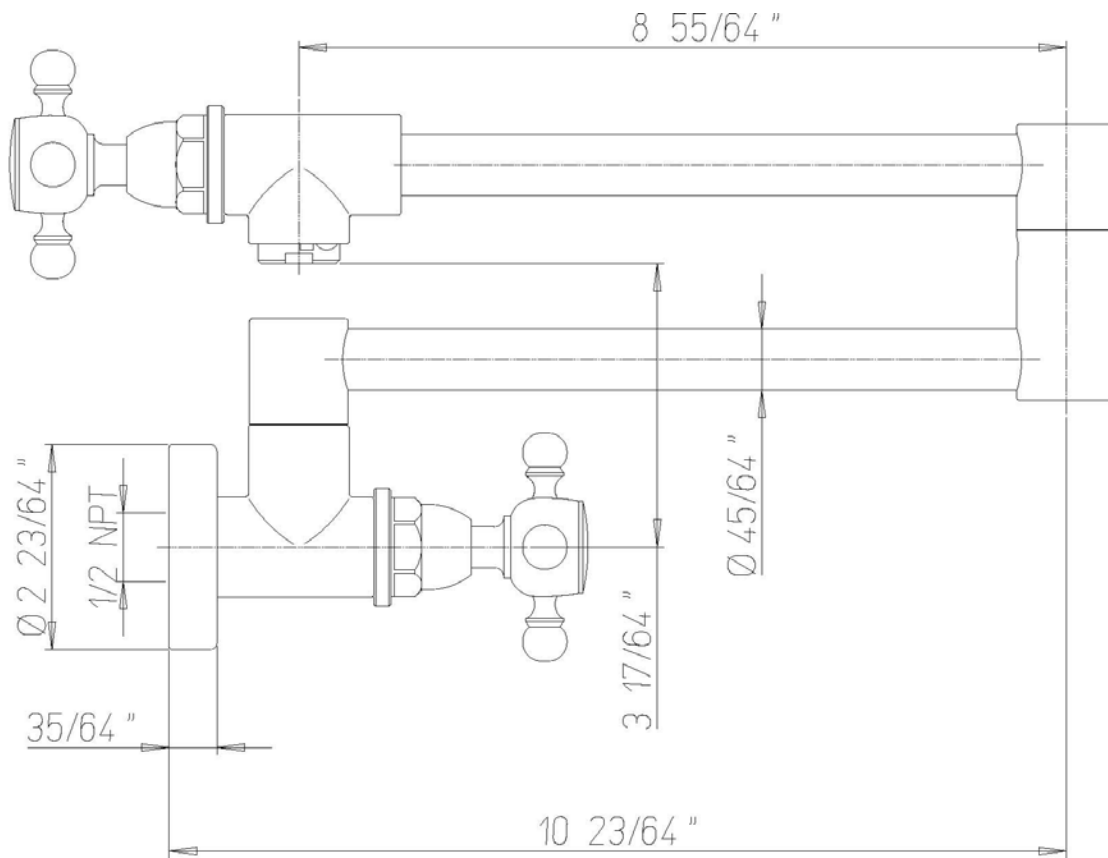


INSTALLATION DIMENSIONS

Kitchen series

8851800

Wallmount Pot Filler, Traditional Styling



1-877-55-FORTIS (36784)

19701 Da Vinci
Lake Forest, CA 92610

WWW.FORTISFAUCET.COM

FORTIS.
FURO DESIGN ITALIANO

Kitchen series

8851800

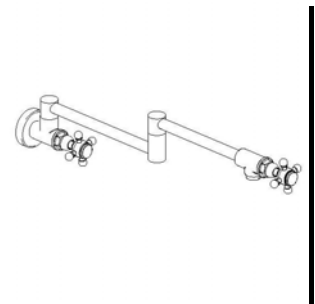
Wallmount Pot Filler, Traditional Styling

STANDARDS

- Compliant with ASME A112.18.1-B125.1
- Compliant with AB1953
- Compliant with ANSI NSF61 – Annex G
- Certified by CSA International
- Compliant with ANSI A117.1

Finishes	8851800PC	8851800BN
Polished Chrome	X	
Brushed Nickel		X

Features	8851800PC	8851800BN
Solid Brass Construction	X	X
Ceramic disc valve	X	X
Meets NSF 61/9 Annex G Lead Requirements	X	X
ADA Compliant	X	X
Wall mounted pod filler installation	X	X
Step-By-Step Installation Instructions	X	X
Limited Lifetime Warranty	X	X



Project: _____
 Contractor: _____